

TDC Power Products Co.,Ltd
Cheng Yen Electronic Co.,Ltd

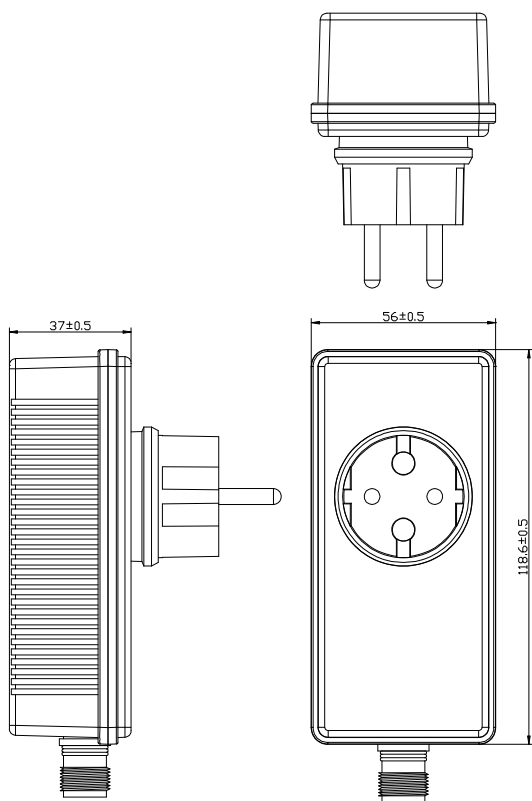
SA8E-120-3500WPMT

INPUT VOLTAGE : 220~240VAC

OUTPUT VOLTAGE : 12VDC

SWITCHING POWER SUPPLY SPECIFICATION REV:A

Drawing:



ELECTRONICAL SPECIFICATION

INPUT VOLTAGE : 220~240 Vac INPUT RANGE VOLTAGE 200~264 Vac
 INPUT FREQUENCY : 50 Hz INPUT RANGE FREQUENCY 47~53 Hz
 INPUT CURRENT : 0.35 Amp. rms. at 240 Vac
 INRUSH CURRENT : 80 Amp. peak at 240 Vac
 Tested At Max. load 25°C , Cold start

OUTPUT VOLTAGE : 12 V
 REGULATION : ±5 %
 MIN. LOAD CURRENT : 0 A MAX LOAD CURRENT: 3.5 A
 LOOP 1 LOAD CURRENT : 0.875 A
 LOOP 2 LOAD CURRENT : 0.875 A
 LOOP 3 LOAD CURRENT : 0.875 A
 LOOP 4 LOAD CURRENT : 0.875 A
 TOTAL OUTPUT : 42 W
 POWER EFFICIENCY : 80% Min. at 230 Vac 50 Hz, Max. load.
 POWER FACTOR ≥ 0.85 at 230 Vac /50 Hz Full Load .Meets IEC61000-3-2 Harmonic Class C
 OVER CURRENT PROTECTION , SHORT CIRCUIT PROTECTION(LATCHED SHUTDOWN)
 TOTAL POWER PROTECTION : 90 W
 OVER VOLTAGE PROTECTION : 15 Vdc Max.
 TRANSFORMER BUILD 8 FUNCTIONAL CONTROLLER
 1.COMBINATION 2.IN WAVES 3.SEQUENTIAL 4.SLO GLO
 5.CHASING/FLASH 6.SLOW FADE 7.TWINKLE/FLASH 8.STEADY ON

MECHANICAL SPECIFICATION

Dimensions : 118.6(L) * 56(W) *37(H)mm (Tolerance as drawing)
 Weight : 310 g Max.
 Operating Temperature : 0°C To 40°C
 Storage Temperature : -15°C To 50°C
 Relative Temperature : 40°C ± 2°C
 MTBF: 50,000 hrs to MIL-HDBK-217F Warranty: 2 years

STANDARD

Safety:EN61347-1,EN61347-2-11,EN61347-2-13; EMC:EN61547,EN55015,EN61000-3-2,EN61000-3-3.

Input Cable : DIRECT PLUG-IN

Output Cable : 5Pin Φ 2.35 waterproof Female socket BK

RELATIVE HUMIDITY 85% RH. Non-condensing

INNER BOX:

Material: WEB

BOX: 150*80*95mm

CARTON: 470*420*400 mm

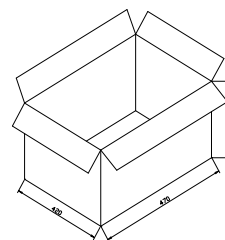
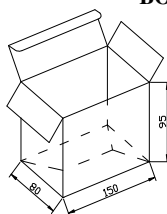
Material:K=A No Nail

QTY: 60 PCS

N.W.: 18.6 KGS

G.W.: 21.0 KGS

MEAS: 2.79 CUFT



photo



TDCpower LED Transformer
 MODEL : SA8E-120-3500WPMT
 PRI : 220-240V~ 50Hz 0.35A Max.
 SEC : 12V ± 3.5 A Ⓢ 1c:70°C
 SHORT CIRCUIT PROTECTION

TDC Power Products Co.,Ltd. 01
MADE IN CHINA

1.COMBINATION
 2.IN WAVES
 3.SEQUENTIAL
 4.SLO GLO
 5.CHASING/FLASH
 6.SLOW FADE
 7.TWINKLE/FLASH
 8.STEADY ON