

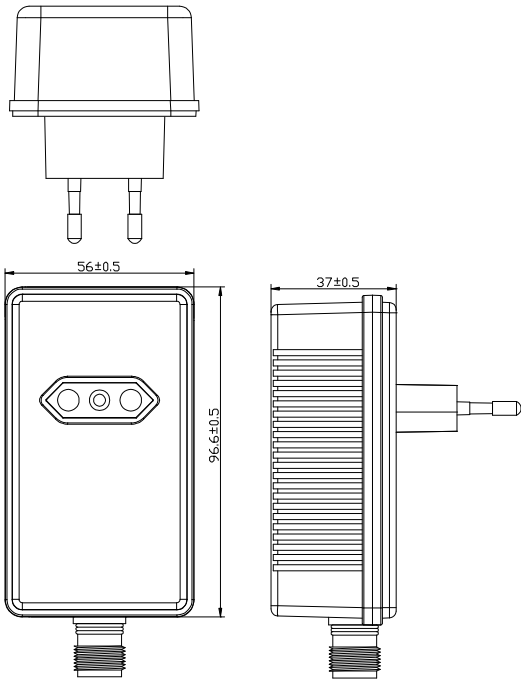
**TDC Power Products Co.,Ltd**  
**Cheng Yen Electronic Co.,Ltd**

**SA8E-120-1000MT**

**INPUT VOLTAGE : 220~240VAC**  
**OUTPUT VOLTAGE : 12VDC**

## SWITCHING POWER SUPPLY SPECIFICATION REV:1-0

### Drawing:



### ELECTRONICAL SPECIFICATION

INPUT VOLTAGE : 220~240 Vac      INPUT RANGE VOLTAGE 200~264 Vac  
 INPUT FREQUENCY : 50 Hz      INPUT RANGE FREQUENCY 47~53 Hz  
 INPUT CURRENT : 0.197 Amp. rms. at 240 Vac  
 INRUSH CURRENT : 50 Amp. peak at 240 Vac  
 Tested At Max. load 25°C , Cold start

OUTPUT VOLTAGE : 12 V  
 REGULATION : ± 5 %  
 MIN. LOAD CURRENT : 0 A      MAX LOAD CURRENT: 1.0A  
 LOOP 1 LOAD CURRENT : 0.25 A  
 LOOP 2 LOAD CURRENT : 0.25 A  
 LOOP 3 LOAD CURRENT : 0.25 A  
 LOOP 4 LOAD CURRENT : 0.25 A  
 TOTAL OUTPUT : 12 W  
 POWER EFFICIENCY : 72.3% Min. at 200~240 Vac 50 Hz, Max. load.  
 OVER CURRENT PROTECTION , SHORT CIRCUIT PROTECTION(LATCHED SHUTDOWN)  
 OVER POWER PROTECTION : 28 W  
 OVER VOLTAGE PROTECTION : 16 Vdc Max.  
 TRANSFORMER BUILD 8 FUNCTIONAL CONTROLLER  
 1.COMBINATION 2.IN WAVES 3.SEQUENTIAL 4.SLO GLO  
 5.CHASING/FLASH 6.SLOW FADE 7.TWINKLE/FLASH 8.STEADY ON

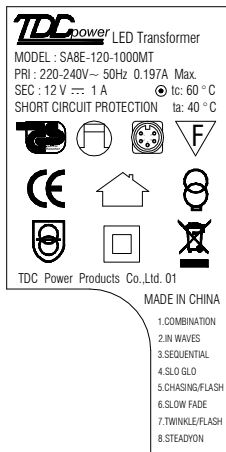
### MECHANICAL SPECIFICATION

Dimensions : 96.6(L) \* 56 (W) \*37(H)mm (Tolerance as drawing)  
 Weight : 205 g Max.  
 Operating Temperature : 0°C To 40°C  
 Storage Temperature : -15°C To 50°C  
 Relative Temperature : 40°C ± 2°C  
 MTBF: 50,000 hrs to MIL-HDBK-217F      Warranty: 2 years

**Input :** DIRECT PLUG-IN

**Output :** 5Pin Φ 2.35 waterproof  
 Female socket BK

**LABEL:** SIZE:40\*80.7mm



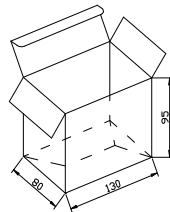
### STANDARD

Safety:EN61347-1,EN61347-2-11,EN61347-2-13; EMC:EN61547,EN55015,EN61000-3-2,EN61000-3-3.

**RELATIVE HUMIDITY** 85% RH. Non-condensing

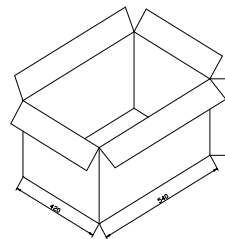
### INNER BOX:

**Material: WEB**  
**BOX: 130\*80\*95mm**



**CARTON: 540\*420\*305mm**

**Material:K=A No Nail**  
**Q'TY: 60 PCS**  
**N.W.: 12.3 KGS**  
**G.W.: 15.3 KGS**  
**MEAS: 2.44 CUFT**



### photo

