

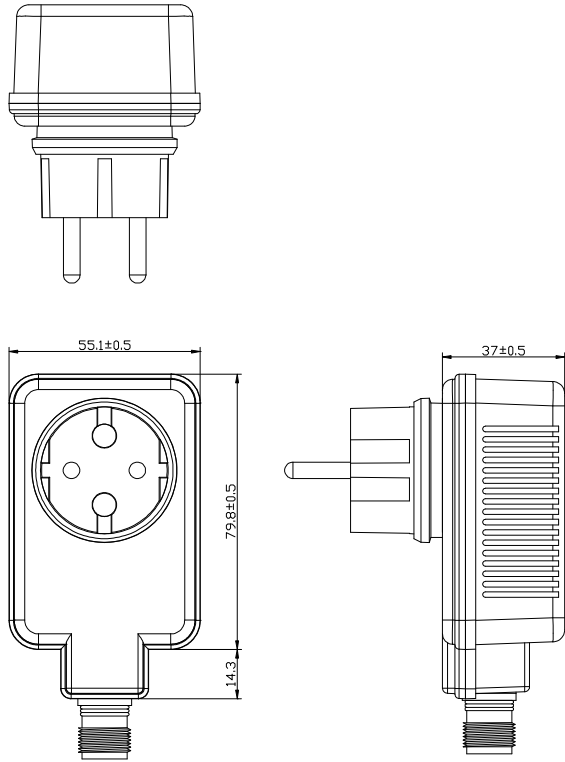
TDC Power Products Co.,Ltd
Cheng Yen Electronic Co.,Ltd

SA8E-045-2500WP

INPUT VOLTAGE : 220~240VAC
OUTPUT VOLTAGE : 4.5VDC

SWITCHING POWER SUPPLY SPECIFICATION REV:A

Drawing:



ELECTRONICAL SPECIFICATION

INPUT VOLTAGE : 220~240 Vac **INPUT RANGE VOLTAGE** 200~264 Vac
INPUT FREQUENCY : 50 Hz **INPUT RANGE FREQUENCY** 47~53 Hz
INPUT CURRENT : 0.1 Amp. rms. at 240 Vac
INRUSH CURRENT : 50 Amp. peak at 240 Vac
 Tested At Max. load 25°C , Cold start

OUTPUT VOLTAGE : 4.5 V
REGULATION : ±5 %
MIN. LOAD CURRENT : 0 A
MAX. LOAD CURRENT : 2.5 A

POWER FACTOR ≥ 0.85 at 230 Vac /50 Hz Full Load .Meets IEC61000-3-2 Harmonic Class C
 RIPPLE AND NOISE : 1.5 Vp-p Max. At 240 Vac, 50 Hz, Max. load 25°C
NOISE TEST BANDWIDTH : 20 MHz

Each output bypassed by a 10uF electrolytic capacitor parallel with a 0.1uF ceramic capacitor to GND.
LINE REGULATION : INPUT = 220 ~ 240 Vac,output loaded at Max. load.
 REGULATION = ±5 %

TOTAL OUTPUT : 11.2 W
POWER EFFICIENCY : 72% Min. at 220~240 Vac 50 Hz, Max. load.
OVER CURRENT PROTECTION , SHORT CIRCUIT PROTECTION
TOTAL POWER PROTECTION : 35 W
OVER VOLTAGE PROTECTION : 6.8 Vdc Max.

MECHANICAL SPECIFICATION

Dimensions : 94.1 (L) * 55.1(W) * 37(H)mm (Tolerance as drawing)
Weight : 230 g Max.
Operating Temperature : 0°C To 40°C
Storage Temperature : -15°C To 50°C
Relative Temperature : 40°C ± 2°C
MTBF: 50,000 hrs to MIL-HDBK-217F **Warranty: 2 years**

STANDARD

Safty:EN61347-1,EN61347-2-13. EMC:EN61547,EN55015,EN61000-3-2,EN61000-3-3.

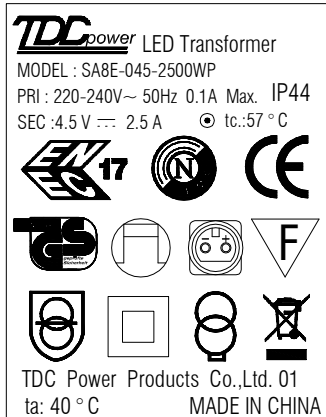
Input Cable : DIRECT PLUG-IN

Output Cable : 2Pin Φ 2.35 waterproof
 Female socket BK

RELATIVE HUMIDITY 85% RH. Non-condensing

LABEL:

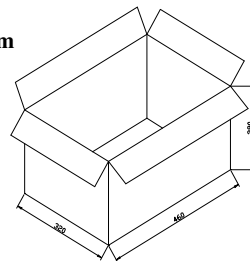
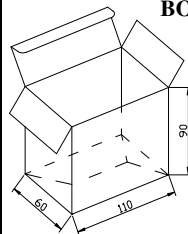
SIZE:34.6*44.6mm



INNER BOX:

Material: WEB
BOX: 110*60*90mm

CARTON: 460*320*290mm



Material:K=A No Nail
QTY: 60 PCS
N.W.: 13.8 KGS
G.W.: 16.2 KGS
MEAS: 1.5 CUFT

photo

