

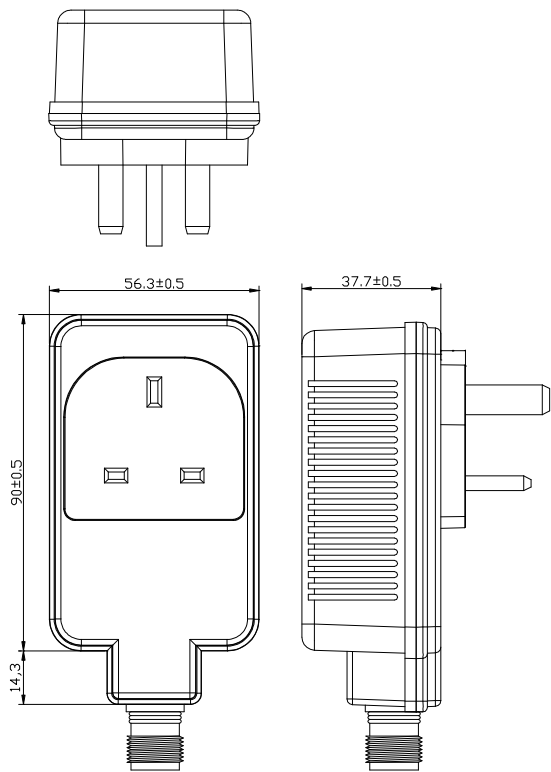
TDC Power Products Co.,Ltd
Cheng Yen Electronic Co.,Ltd

SA8B-320-0930

INPUT VOLTAGE : 220~240VAC
OUTPUT VOLTAGE : 32VDC

SWITCHING POWER SUPPLY SPECIFICATION REV:1-0

Drawing:



ELECTRONICAL SPECIFICATION

INPUT VOLTAGE : 220~240 Vac INPUT RANGE VOLTAGE 200~264 Vac
 INPUT FREQUENCY : 50 Hz INPUT RANGE FREQUENCY 47~53 Hz
 INPUT CURRENT : 0.43 Amp. rms. at 240 Vac
 INRUSH CURRENT : 80 Amp. peak at 240 Vac
 Tested At Max. load 25°C , Cold start

OUTPUT VOLTAGE : 32 V
 REGULATION : ±5 %
 MIN. LOAD CURRENT : 0 A
 MAX. LOAD CURRENT : 0.93 A
 RIPPLE AND NOISE : 200 mVp-p Max. At 240 Vac, 50 Hz, Max. load 25°C
 NOISE TEST BANDWIDTH : 20 MHz

Each output bypassed by a 10uF electrolytic capacitor parallel with a 0.1uF ceramic capacitor to GND.

LINE REGULATION : INPUT = 200 ~ 240 Vac,output loaded at Max. load.
 REGULATION = ±5 %

TOTAL OUTPUT : 30 W
 POWER EFFICIENCY : 80% Min. at 200~240 Vac 50 Hz, Max. load.
 OVER CURRENT PROTECTION , SHORT CIRCUIT PROTECTION
 TOTAL POWER PROTECTION : 60 W
 OVER VOLTAGE PROTECTION : 35 Vdc Max.

MECHANICAL SPECIFICATION

Dimensions : 104.3(L) *56.3 (W) *37.7 (H)mm (Tolerance as drawing)
 Weight : 290 g Max.
 Operating Temperature : 0°C To 40°C
 Storage Temperature : -15°C To 50°C
 Relative Temperature : 40°C ± 2°C
 MTBF: 50,000 hrs to MIL-HDBK-217F Warranty: 2 years

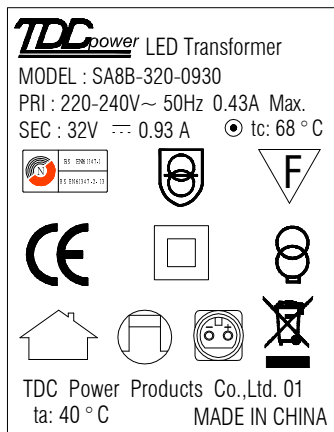
STANDARD

Safty:EN61347-1,EN61347-2-13. EMC:EN61547,EN55015,EN61000-3-2,EN61000-3-3

Input Cable : DIRECT PLUG-IN

Output Cable : 2Pin Φ 2.35 waterproof Female socket BK

LABEL:
SIZE:34.6*44.6mm

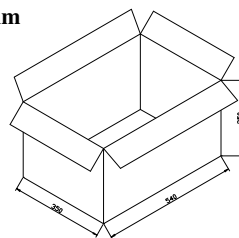
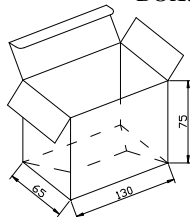


RELATIVE HUMIDITY 85% RH. Non-condensing

INNER BOX:

Material: WEB
BOX: 130*65*75mm

CARTON: 540*350*250mm



Material:K=A No Nail
Q'TY: 60 PCS
N.W.: 17.4 KGS
G.W.: 19.4 KGS
MEAS: 1.57 CUFT

photo

