

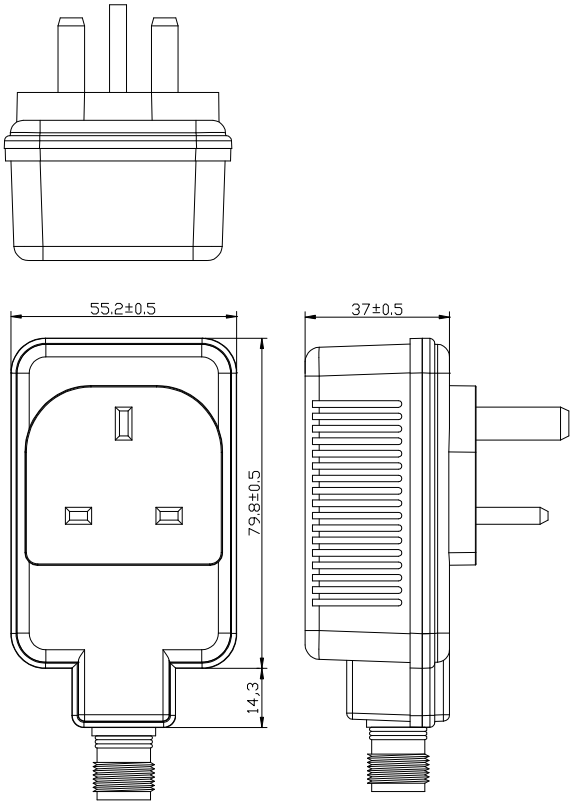
TDC Power Products Co.,Ltd  
Cheng Yen Electronic Co.,Ltd

**SA8B-240-0500P**

INPUT VOLTAGE : 220~240VAC  
OUTPUT VOLTAGE : 24VDC

## SWITCHING POWER SUPPLY SPECIFICATION REV:A

### Drawing:



### ELECTRONICAL SPECIFICATION

INPUT VOLTAGE : 220~240 Vac    INPUT RANGE VOLTAGE 200~264 Vac  
 INPUT FREQUENCY : 50 Hz    INPUT RANGE FREQUENCY 47~53 Hz  
 INPUT CURRENT : 0.1 Amp. rms. at 240 Vac  
 INRUSH CURRENT : 80 Amp. peak at 240 Vac  
 Tested At Max. load 25°C , Cold start

OUTPUT VOLTAGE : 24 V  
 REGULATION : ±5 %  
 MIN. LOAD CURRENT : 0 A  
 MAX. LOAD CURRENT : 0.5 A  
 POWER FACTOR ≥ 0.85 at 230 Vac /50 Hz Full Load .Meets IEC61000-3-2 Harmonic Class C  
 RIPPLE AND NOISE : 1.3 Vp-p Max. At 240 Vac, 50 Hz, Max. load 25°C  
 NOISE TEST BANDWIDTH : 20 MHz

Each output bypassed by a 10uF electrolytic capacitor parallel with a 0.1uF ceramic capacitor to GND.

LINE REGULATION : INPUT = 220 ~ 240 Vac,output loaded at Max. load.  
 REGULATION = ±5 %

TOTAL OUTPUT : 12 W  
 POWER EFFICIENCY : 77% Min. at 220~240 Vac 50 Hz, Max. load.  
 OVER CURRENT PROTECTION , SHORT CIRCUIT PROTECTION  
 TOTAL POWER PROTECTION : 40 W  
 OVER VOLTAGE PROTECTION : 30 Vdc Max.

### MECHANICAL SPECIFICATION

Dimensions : 94.1 (L) \* 55.1(W) \*37(H)mm (Tolerance as drawing)  
 Weight : 230 g Max.  
 Operating Temperature : 0°C To 40°C  
 Storage Temperature : -15°C To 50°C  
 Relative Temperature : 40°C ± 2°C  
 MTBF: 50,000 hrs to MIL-HDBK-217F    Warranty: 2 years

### STANDARD

Safty:EN61347-1,EN61347-2-13.    EMC:EN61547,EN55015,EN61000-3-2,EN61000-3-3.

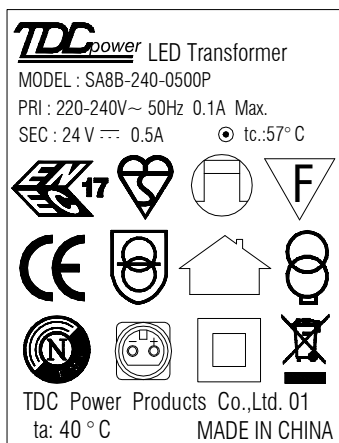
Input Cable : DIRECT PLUG-IN

Output Cable : 2Pin Φ2.35 waterproof  
Female socket BK

RELATIVE HUMIDITY 85% RH. Non-condensing

### LABEL:

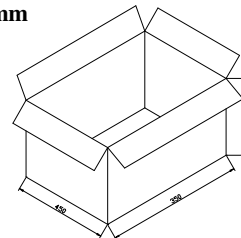
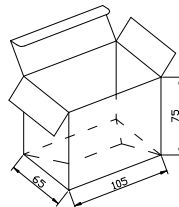
SIZE:34.6\*44.6mm



### INNER BOX:

Material: WEB

BOX: 105\*65\*75mm



CARTON: 520\*350\*250mm

Material:K=A No Nail

QTY: 60 PCS  
 N.W.: 13.8 KGS  
 G.W.: 16.2 KGS  
 MEAS: 1.5 CUFT

### photo

