

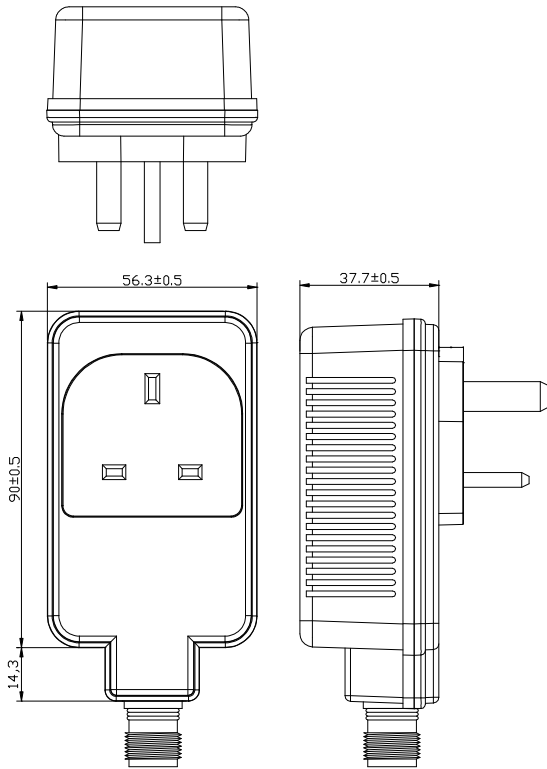
**TDC Power Products Co.,Ltd**  
**Cheng Yen Electronic Co.,Ltd**

**SA8B-120-2500**

**INPUT VOLTAGE : 220~240VAC**  
**OUTPUT VOLTAGE : 12VDC**

## SWITCHING POWER SUPPLY SPECIFICATION REV:1-0

### Drawing:



### ELECTRONICAL SPECIFICATION

INPUT VOLTAGE : 220~240 Vac    INPUT RANGE VOLTAGE 200~264 Vac  
 INPUT FREQUENCY : 50 Hz    INPUT RANGE FREQUENCY 47~53 Hz  
 INPUT CURRENT : 0.43 Amp. rms. at 240 Vac  
 INRUSH CURRENT : 80 Amp. peak at 240 Vac  
 Tested At Max. load 25°C , Cold start

OUTPUT VOLTAGE : 12 V  
 REGULATION : ±5 %  
 MIN. LOAD CURRENT : 0 A  
 MAX. LOAD CURRENT : 2.5 A  
 RIPPLE AND NOISE : 200 mVp-p Max. At 240 Vac, 50 Hz, Max. load 25°C  
 NOISE TEST BANDWIDTH : 20 MHz

Each output bypassed by a 10uF electrolytic capacitor parallel with a 0.1uF ceramic capacitor to GND.

LINE REGULATION : INPUT = 200 ~ 240 Vac, output loaded at Max. load.  
 REGULATION = ±5 %

TOTAL OUTPUT : 30 W  
 POWER EFFICIENCY : 80% Min. at 200~240 Vac 50 Hz, Max. load.  
 OVER CURRENT PROTECTION , SHORT CIRCUIT PROTECTION  
 TOTAL POWER PROTECTION : 60 W  
 OVER VOLTAGE PROTECTION : 15 Vdc Max.

### MECHANICAL SPECIFICATION

Dimensions : 104.3(L) \*56.3 (W) \*37.7 (H)mm (Tolerance as drawing)  
 Weight : 290 g Max.  
 Operating Temperature : 0°C To 40°C  
 Storage Temperature : -15°C To 50°C  
 Relative Temperature : 40°C ± 2°C  
 MTBF: 50,000 hrs to MIL-HDBK-217F    Warranty: 2 years

**Input Cable : DIRECT PLUG-IN**

### STANDARD

Safty:EN61347-1,EN61347-2-13.    EMC:EN61547,EN55015,EN61000-3-2,EN61000-3-3

**Output Cable :** 2Pin Φ2.35 waterproof  
 Female socket BK

**RELATIVE HUMIDITY 85% RH. Non-condensing**

**LABEL:**  
**SIZE:34.6\*44.6mm**

**INNER BOX:**

**Material: WEB**

**CARTON: 540\*350\*250mm**

**BOX: 130\*65\*75mm**

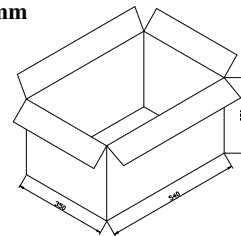
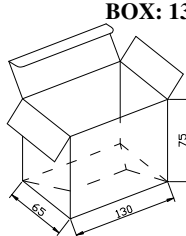
**Material:K=A No Nail**

**QTY: 60 PCS**

**N.W.: 17.4 KGS**

**G.W.: 19.4 KGS**

**MEAS: 1.57 CUFT**



### photo

