

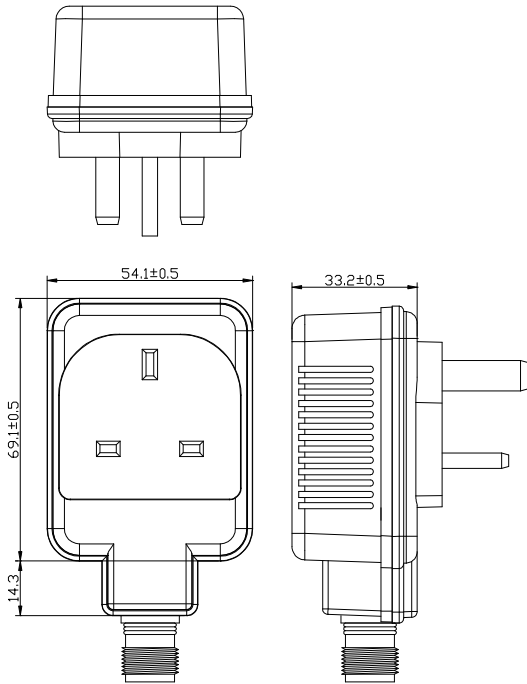
TDC Power Products Co.,Ltd  
Cheng Yen Electronic Co.,Ltd

**SA8B-045-2670**

INPUT VOLTAGE : 220~240VAC  
OUTPUT VOLTAGE : 4.5VDC

## SWITCHING POWER SUPPLY SPECIFICATION REV:1-0

### Drawing:



### ELECTRONICAL SPECIFICATION

INPUT VOLTAGE : 220~240 Vac    INPUT RANGE VOLTAGE 200~264 Vac  
 INPUT FREQUENCY : 50 Hz    INPUT RANGE FREQUENCY 47~53 Hz  
 INPUT CURRENT : 0.197 Amp. rms. at 240 Vac  
 INRUSH CURRENT : 50 Amp. peak at 240 Vac  
 Tested At Max. load 25°C , Cold start

OUTPUT VOLTAGE : 4.5 V  
 REGULATION : ±5 %  
 MIN. LOAD CURRENT : 0 A  
 MAX. LOAD CURRENT : 2.67 A  
 RIPPLE AND NOISE : 100 mVp-p Max. At 240 Vac, 50 Hz, Max. load 25°C  
 NOISE TEST BANDWIDTH : 20 MHz

Each output bypassed by a 10uF electrolytic capacitor parallel with a 0.1uF ceramic capacitor to GND.

LINE REGULATION : INPUT = 220 ~ 240 Vac,output loaded at Max. load.  
 REGULATION = ±5 %

TOTAL OUTPUT : 12 W  
 POWER EFFICIENCY : 70% Min. at 220~240 Vac 50 Hz, Max. load.  
 THE STANDBY POWER : 0.3 W Max.  
 OVER CURRENT PROTECTION , SHORT CIRCUIT PROTECTION  
 OVER POWER PROTECTION : 28 W Max.  
 OVER VOLTAGE PROTECTION : 6.2 Vdc Max.

### MECHANICAL SPECIFICATION

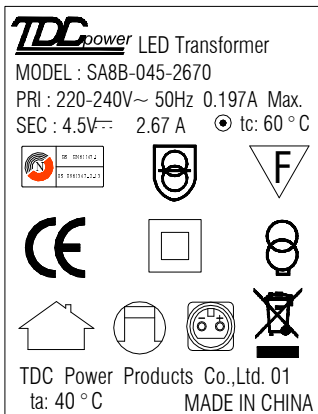
Dimensions : 83.4(L) \* 54.1 (W) \* 33.2(H)mm (Tolerance as drawing)  
 Weight : 160 g Max.  
 Operating Temperature : 0°C To 40°C  
 Storage Temperature : -15°C To 50°C  
 Relative Temperature : 40°C ± 2°C  
 MTBF: 50,000 hrs to MIL-HDBK-217F    Warranty: 2 years

Input Cable : DIRECT PLUG-IN

Output Cable : 2Pin Φ 2.35 waterproof  
Female socket BK

### LABEL:

SIZE:34.6\*44.6mm



### STANDARD

Safety:EN61347-1,EN61347-2-13.    EMC:EN61547,EN55015,EN61000-3-2,EN61000-3-

RELATIVE HUMIDITY 85% RH. Non-condensing

### INNER BOX:

Material: WEB

BOX: 110\*65\*70mm

CARTON: 460\*350\*230mm

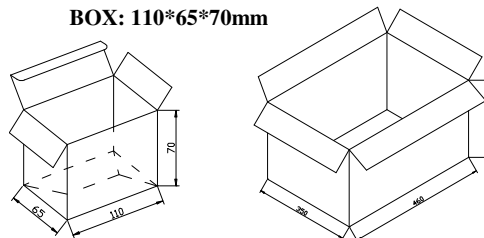
Material:K=A No Nail

Q'TY: 60 PCS

N.W.: 10 KGS

G.W.: 12 KGS

MEAS: 1.5 CUFT



### photo

