

5.08mm(.200") I. D. C. POWER HOUSING

MATERIAL

Insulator: Nylon 66 UL 94V-2
 Color: Natural
 Contact: Brass
 Plating: Tin plated

SPECIFICATIONS

Temperature range: -25°C ~ +120°C
 Current rating: 6.0A
 Voltage rating: 250V AC
 Dielectric withstand voltage: 1500V AC
 Insulation resistance: 1000 MΩ Min.
 Contact resistance: 0.01Ω Max.

Mates with S. Y. E R3601 Wafer(Headers)

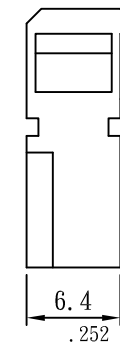
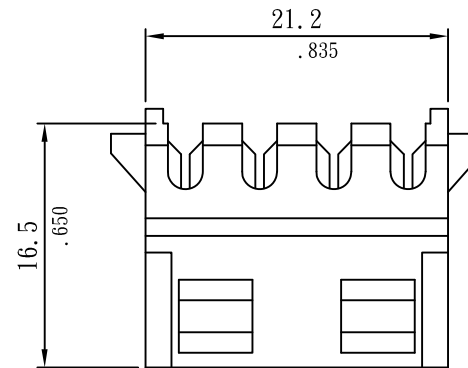
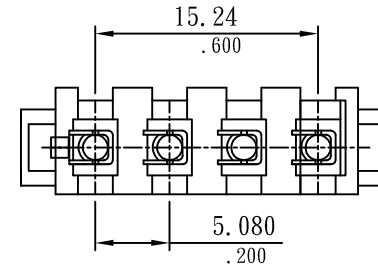
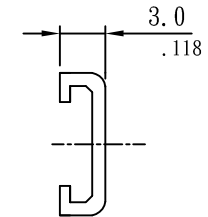
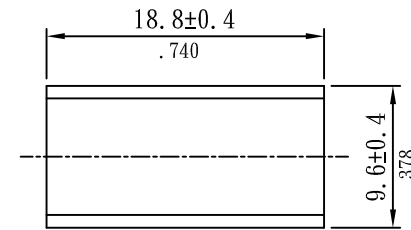
NOTE:

8A FOR 18AWG, 7A FOR 20AWG AND 6A FOR 22AWG

Order Information

R 3600-04 M
 1 2 3 4

1. RoHS
2. Series No.
3. Pin No.
4. Male



Sunny Young Enterprise Co., Ltd.

S. Y. E <http://www.sunnyyoung.com.tw>

No. 276, Nan Yang St., Hsi-Chih City, 221, Taipei County, Taiwan
 Tel:+886 2 2694 5995(REP) Fax:+886 2 2694 3721

DWG NAME

R3600-04M (RoHS)

CHECKED	APPROVED	SCALE: 1:2	REV NO	DATE	DESCRIPTION	BY	CHECKED	TOLERANCE UNLESS NOTED	
PIQI	MARS	UNIT: mm(in)	A					LINEAR±	.0 ±0.30(.012)
DRAWN NAME	DATE	CAD NO	B						.00 ±0.20(.008)
			C						.000±0.10(.004)
YXF(T036)	2008.10.10	R3600-04M						PROJECTION:	

5. 08mm(.200") POWER PLUG 90°

MATERIAL

Insulator: Nylon 66 UL 94V-2
 Color: Natural
 Contact: Brass
 Plating: Tin plated

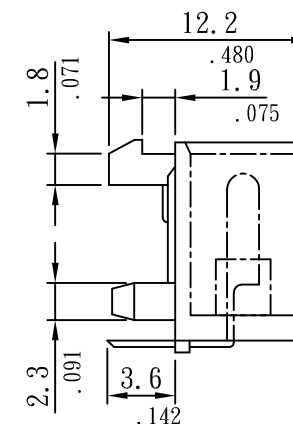
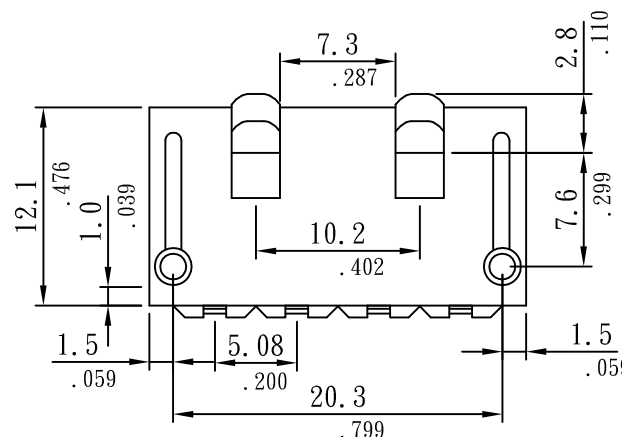
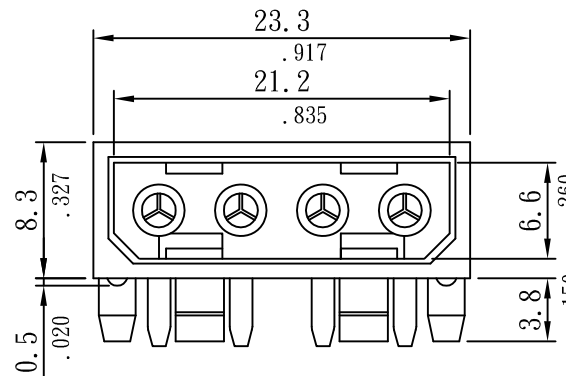
SPECIFICATIONS


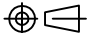
Temperature range: -25°C ~ +85°C
 Current rating: 7.0A
 Voltage rating: 250V AC
 Dielectric withstand voltage: 1500V AC
 Insulation resistance: 500 MΩ Min.
 Contact resistance: 0.5Ω Max.
 Mates with S.Y.E R3600 Housing

Order Information

R 3601-04 T R
 1 2 3 4 5

1. RoHS
2. Series No.
3. Pin No.
4. Tin plated
5. Right angle



 Sunny Young Enterprise Co., Ltd. S.Y.E http://www.sunnyyoung.com.tw No. 276, Nan Yang St., Hsi-Chih City, 221, Taipei County, Taiwan Tel:+886 2 2694 5995(REP) Fax:+886 2 2694 3721	CHECKED	APPROVED	SCALE:1:2	REV NO	DATE	DESCRIPTION	BY	CHECKED	TOLERANCE UNLESS NOTED	
	PIQI	MARS	UNIT: mm(in)	A					LINEAR±	.0 ±0.30(.012)
	DRAWN NAME	DATE	CAD NO	B						.00 ±0.20(.008)
DWG NAME	R3601-04TR (ROHS)	YXF(T017)	2009.02.09-3	R3601-04TR	C					PROJECTION: 

5.08mm(.200") POWER PLUG 180°

MATERIAL

Insulator: Nylon 66 UL 94V-2
 Color: Natural
 Contact: Brass
 Plating: Tin plated

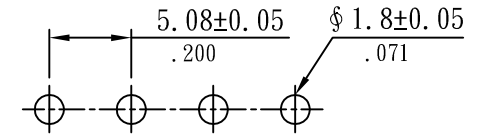
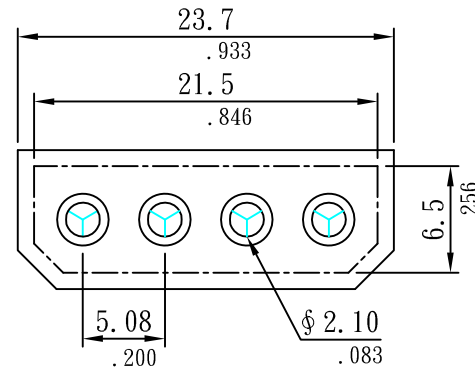
SPECIFICATIONS

Temperature range: -25°C ~ +85°C
 Current rating: 5.0A
 Voltage rating: 250V AC
 Dielectric withstand voltage: 1500V AC
 Insulation resistance: 1000 MΩ Min.
 Contact resistance: 0.01Ω Max.
 Mates with S.Y.E R3600 Housing

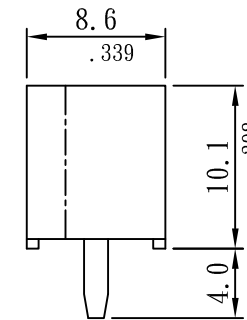
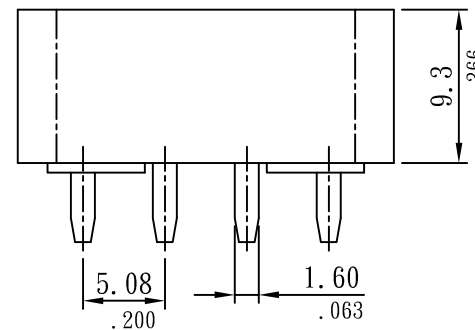
Order Information


R 3601-04 T S
 1 2 3 4 5

1. RoHS
2. Series No.
3. Pin No.
4. Tin plated
5. Straight angle



PCB LAYOUT



 Sunny Young Enterprise Co., Ltd. S.Y.E http://www.sunnyyoung.com.tw No. 276, Nan Yang St., Hsi-Chih City, 221, Taipei County, Taiwan Tel:+886 2 2694 5995(REP) Fax:+886 2 2694 3721	CHECKED	APPROVED	SCALE:1:2	REV NO	DATE	DESCRIPTION	BY	CHECKED	TOLERANCE UNLESS NOTED	
	PIQI	MARS	UNIT: mm(in)	A					LINEAR±	.0 ±0.30(.012)
	DRAWN NAME	DATE	CAD NO	B						.00 ±0.20(.008)
DWG NAME	R3601-04TS (ROHS)	YXF(S003)	2009.01.12-1	R3601-04TS	C					PROJECTION: 