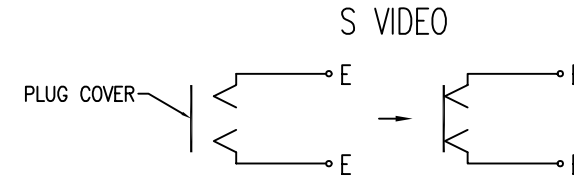
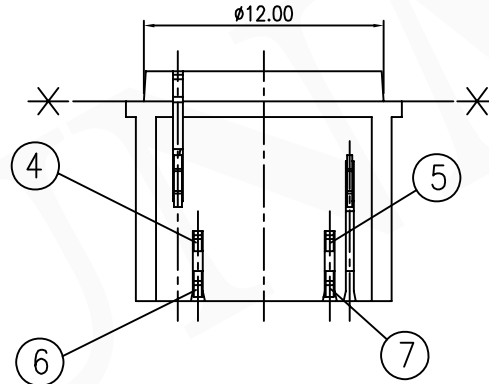
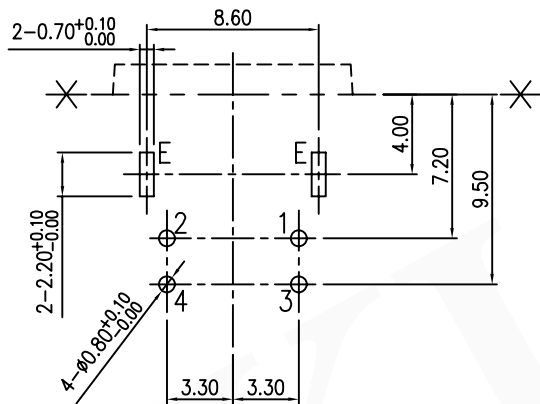
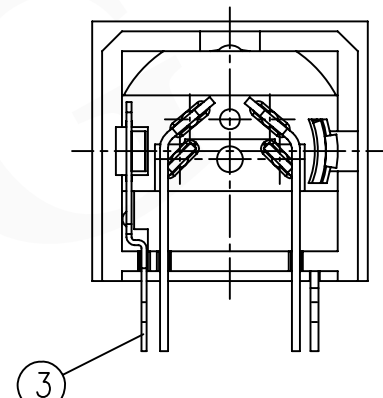
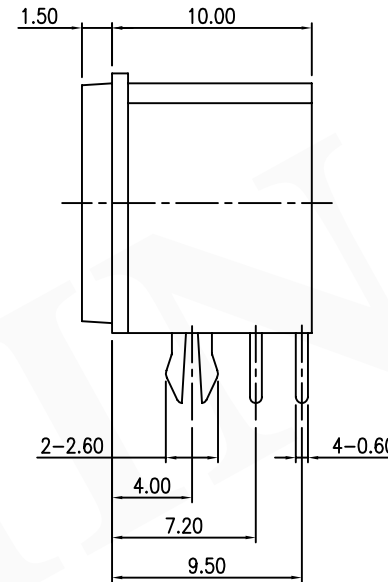
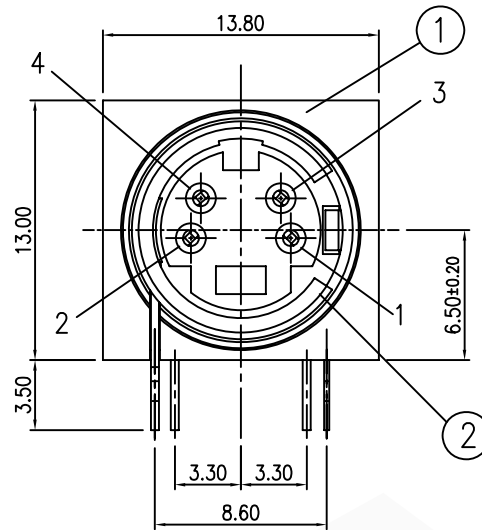
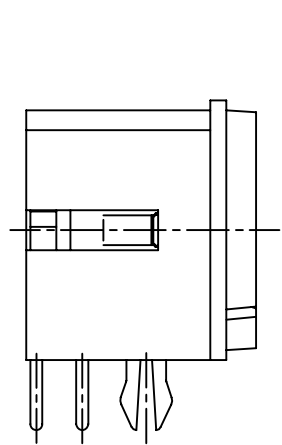


REVISIONS

LTR	DESCRIPTION	DATE	REV.	CHKD.	APVD.



S SCHEMATIC

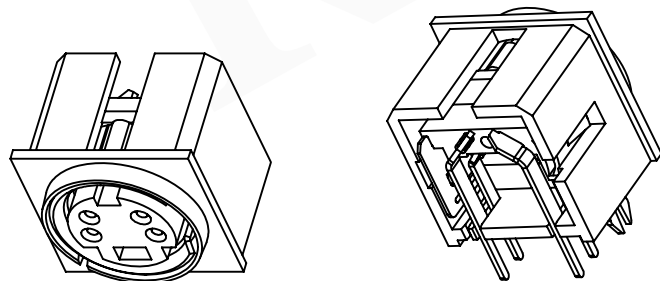
P.C.B Layout Dimension(Tolerance:±0.1)
(Recommend min. Dimension)(Bottom View)

7	TERMINAL(3)	1	Copper Alloy	t=0.40
6	TERMINAL(4)	1	Copper Alloy	t=0.40
5	TERMINAL(1)	1	Copper Alloy	t=0.40
4	TERMINAL(2)	1	Copper Alloy	t=0.40
3	GROUND CONTACT (B)	1	Copper Alloy	t=0.25
2	GROUND CONTACT (A)	1	Copper Alloy	t=0.40
1	HOUSING	1	PBT+GF	UL 94V-0

Please refer color combination list.

LTR	PART NO.	QTY	MATERIAL	REMARK
120~315	±0.5	DWN	MIMO	DATE 2009.02.04
30~120	±0.35	DSND	MIMO	DATE 2009.02.04
6~30	±0.22	CHKD	JACKY	DATE 2009.02.04
BELOW 6	±0.16	APVD	JOHNSON	DATE 2009.02.05

SCALE	2.5/1	NAME	S JACK
PROJECTION			
CAT. NO.	KM09001P		
DWN.NO.	A-09001P		



UNLESS OTHERWISE SPECIFIED, TOLERANCE ON DECIMAL: ±0.3

DIMENSION	TOLERANCE
120~315	±0.5
30~120	±0.35
6~30	±0.22
BELOW 6	±0.16

KUNMING ELECTRONICS CO.,LTD.

1/1
001