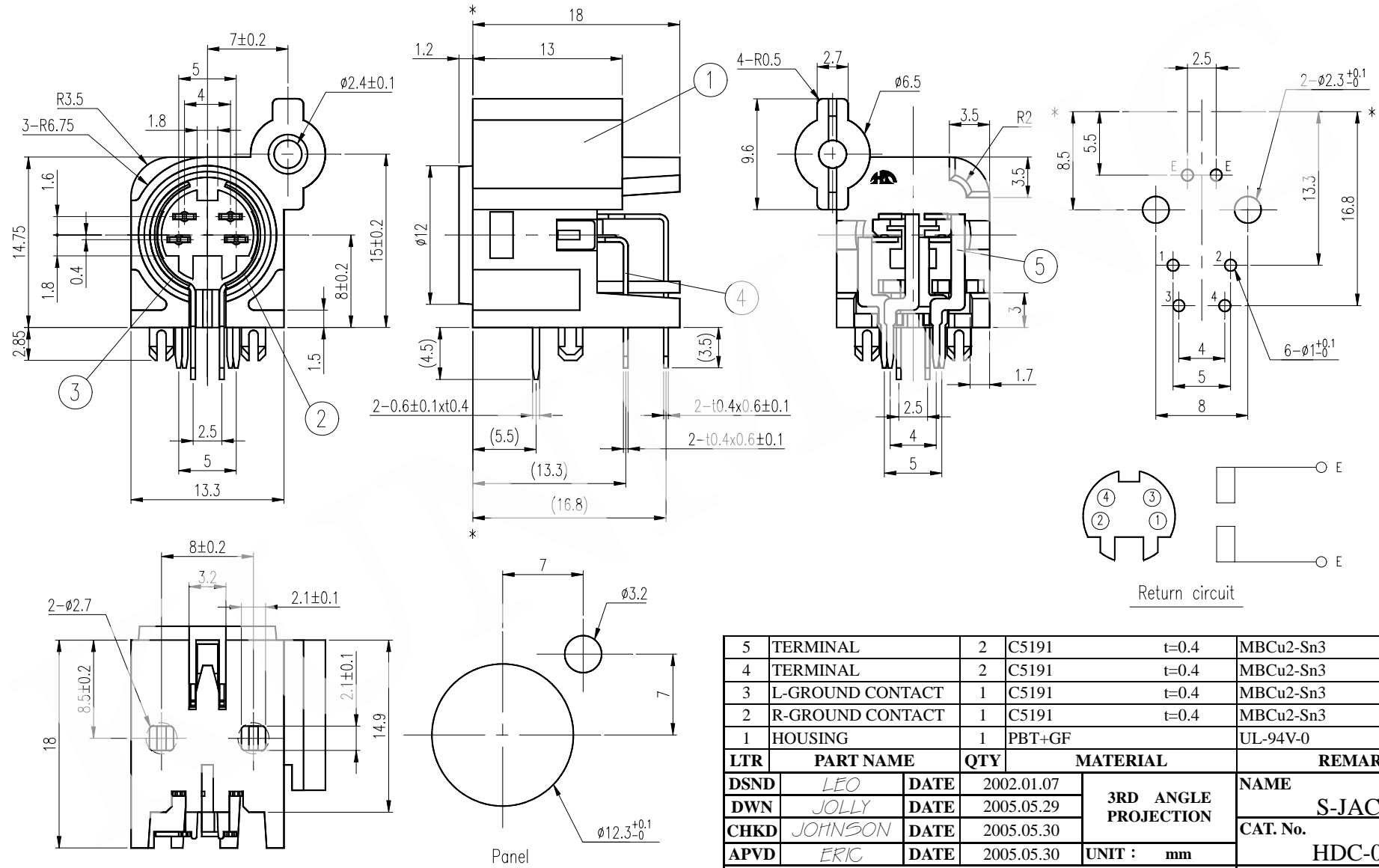


REVISIONS				
LTR	DESCRIPTION	DATE	REVISED	APPROVED



LTR	PART NAME	QTY	MATERIAL	REMARK
5	TERMINAL	2	C5191	t=0.4 MBCu2-Sn3
4	TERMINAL	2	C5191	t=0.4 MBCu2-Sn3
3	L-GROUND CONTACT	1	C5191	t=0.4 MBCu2-Sn3
2	R-GROUND CONTACT	1	C5191	t=0.4 MBCu2-Sn3
1	HOUSING	1	PBT+GF	UL-94V-0

LTR	PART NAME	QTY	MATERIAL	REMARK
DSND	LEO	DATE	2002.01.07	3RD ANGLE PROJECTION
DWN	JOLLY	DATE	2005.05.29	
CHKD	JOHNSON	DATE	2005.05.30	
APVD	ERIC	DATE	2005.05.30	
UNIT : mm				HDC-058SP

<b>KUNMING ELECTRONICS CO., LTD.</b>			DWN. No.	1/1
			A-058SP	A

UNLESS OTHERWISE SPECIFIED, TOLERANCE ON DECIMAL: ±0.3 ANGLES: ±5°