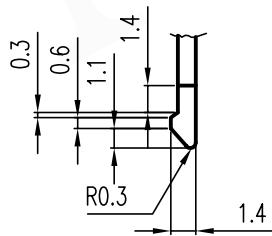
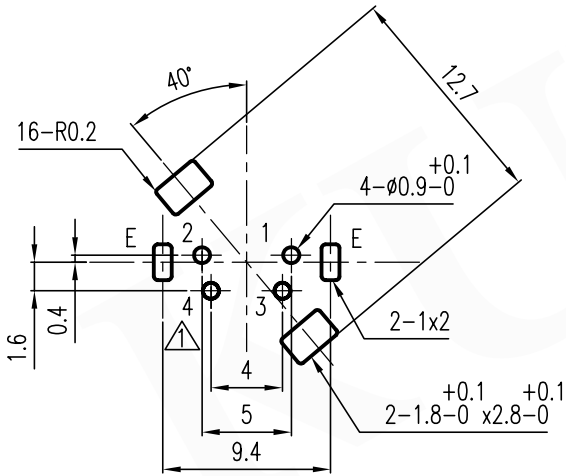
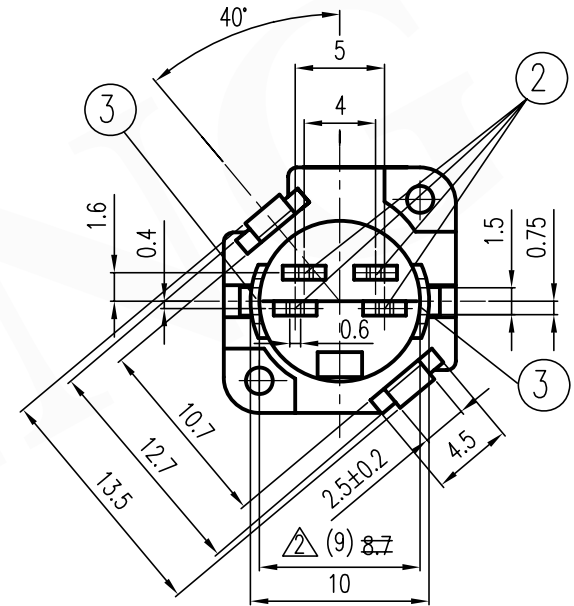
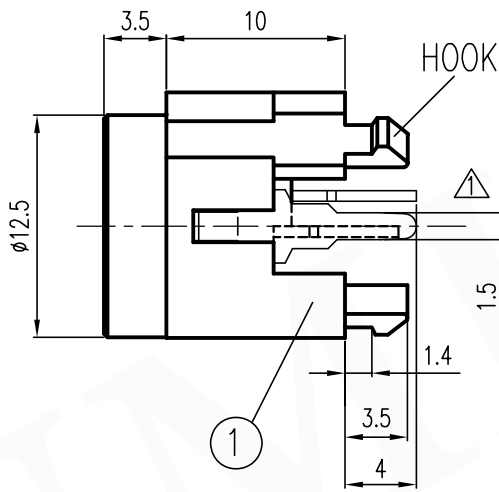
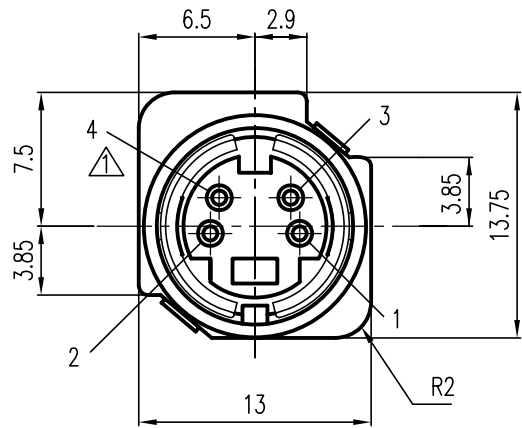
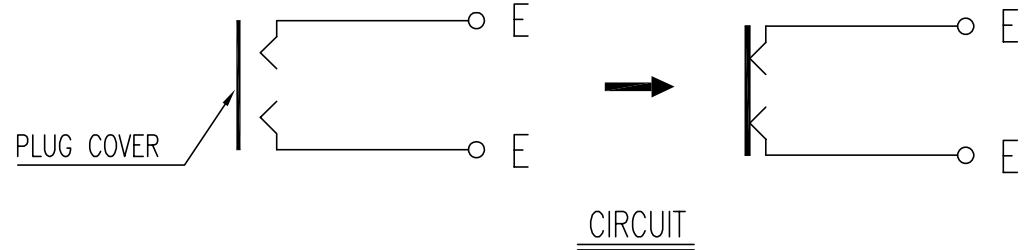


REVISIONS				
LTR	DESCRIPTION	DATE	REVISED	APPROVED
△x4	併圖, 修改S端子標注須序及電鍍層參照顏色料號表	2005.02.14	ANDERSON	JOHNSON
△x2	圖面尺寸誤記, 更正之, 取消防火等級	2006.02.22	YANGZHIBIN	JOHNSON



HOOK DETAILED DRAWING



P.C.B Layout Dimension (Tolerance:±0.1)
(Recommend min.Dimension)(bottom view)

3	GROUND CONTACT	2	C5191	t=0.35	△ Please refer color combination list.
2	TERMINAL	4	C5210	t=0.6	
1	HOUSING	1	ABS △ 料號=94# (BLACK)		
LTR	PART NO.	QTY	MATERIAL		REMARK
DWN	YANGZHIBIN	DATE	2006.02.20	SCALE /	NAME S-JACK
DSND	LD	DATE	2006.03.01	PROJECTION	CAT. NO. HDC-055
CHKD	JOHNSON	DATE	2006.03.06	UNIT: mm	
APVD	Eric	DATE	2006.03.06		DWN.NO. A-055
KUNMING ELECTRONICS CO.,LTD.					1/1
					D

UNLESS OTHERWISE SPECIFIED, TOLERANCE ON DECIMAL: ±0.3

ANGLES: ±5°