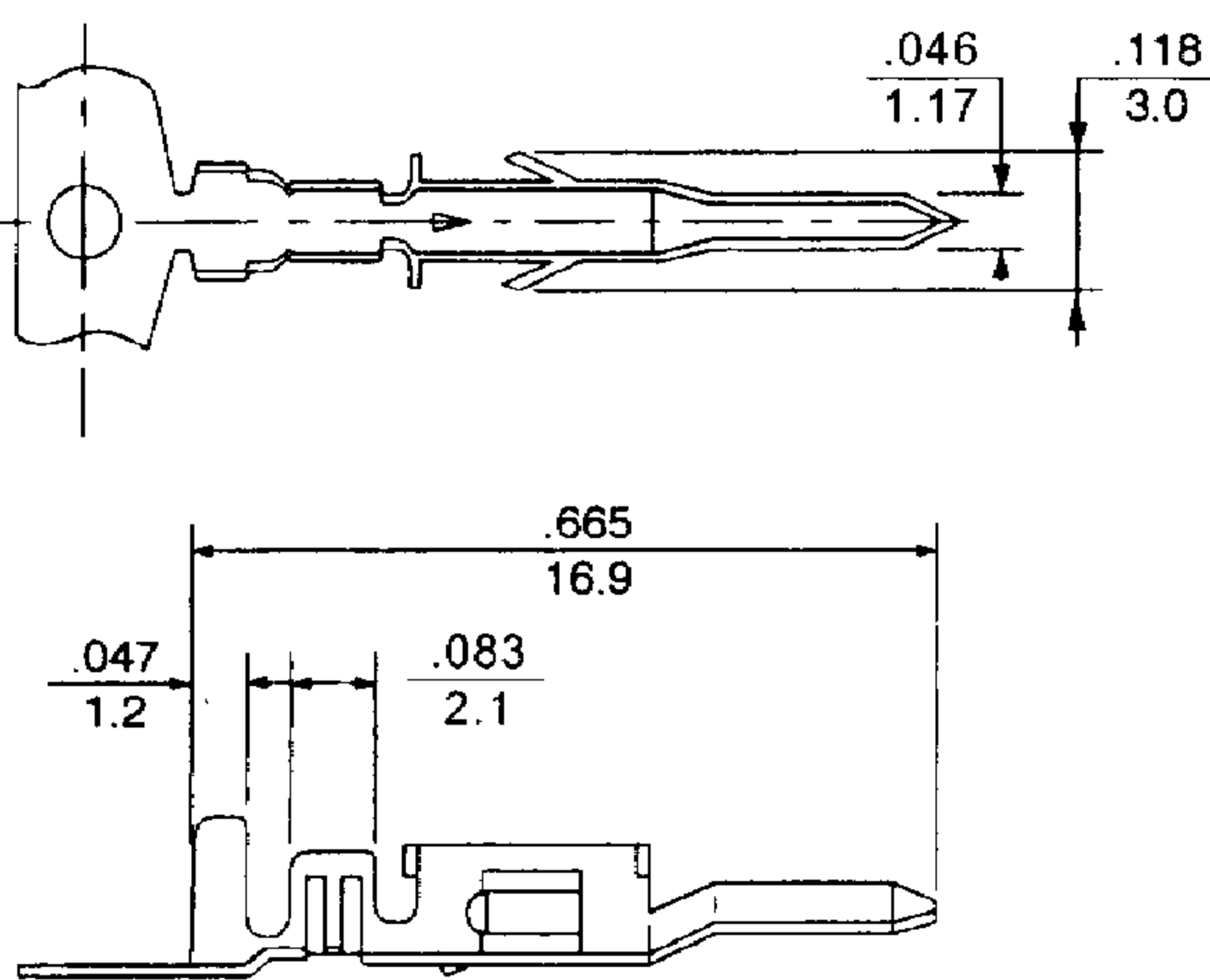


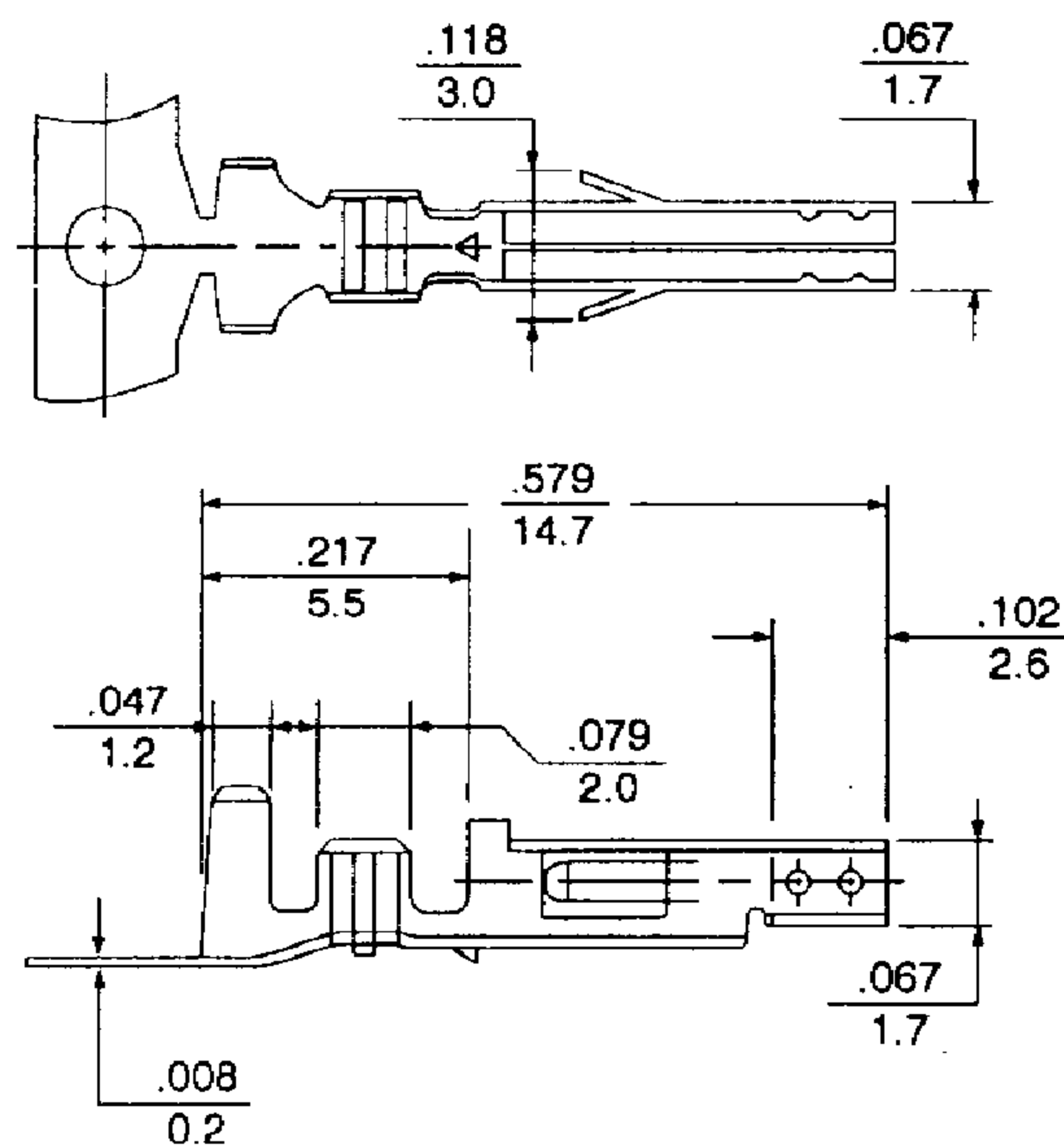
High Current/High Density Power Connector System

The power Connector series is designed for high current / high density applications which require the design flexibility of wire to wire and wire to board configurations in the interconnection system. The power connector system is appropriate for both power and signal applications as it can carry currents of up to 9 amperes per circuit.

42001TM Series Crimp Terminal



42001TF Series Crimp Terminal



inches
mm

Specifications:

● Electrical:

Voltage Rating: 600V (R.M.S.)
Contact Resistance: 10mΩ max.
Dielectric strength: 1500V AC

● Mechanical:

Temperature Rise: (Carrying rated current load) 30°C max.

Ordering & Dimensional Information:

Part No.	Wire Size (AWG)	Max. Ins. Dia. (mm)	Material	Thickness (mm)	Finish	Chain Type
42001TF 1	#22 ~ #28	1.8	Brass	0.2	Tin-plated	End Chain
42001TF 2	#18 ~ #24	3.1				
42001TF 3	#16	3.1				
42001TF P1	#22 ~ #28	1.8	Phosphor Bronze			
42001TF P2	#18 ~ #24	3.1				
42001TF P3	#16	3.1				
42001TM1	#22 ~ #28	1.8	Brass			
42001TM2	#18 ~ #24	3.1				
42001TM3	#16	3.1				