

.156" (3,96mm) Crimp Terminal Housings

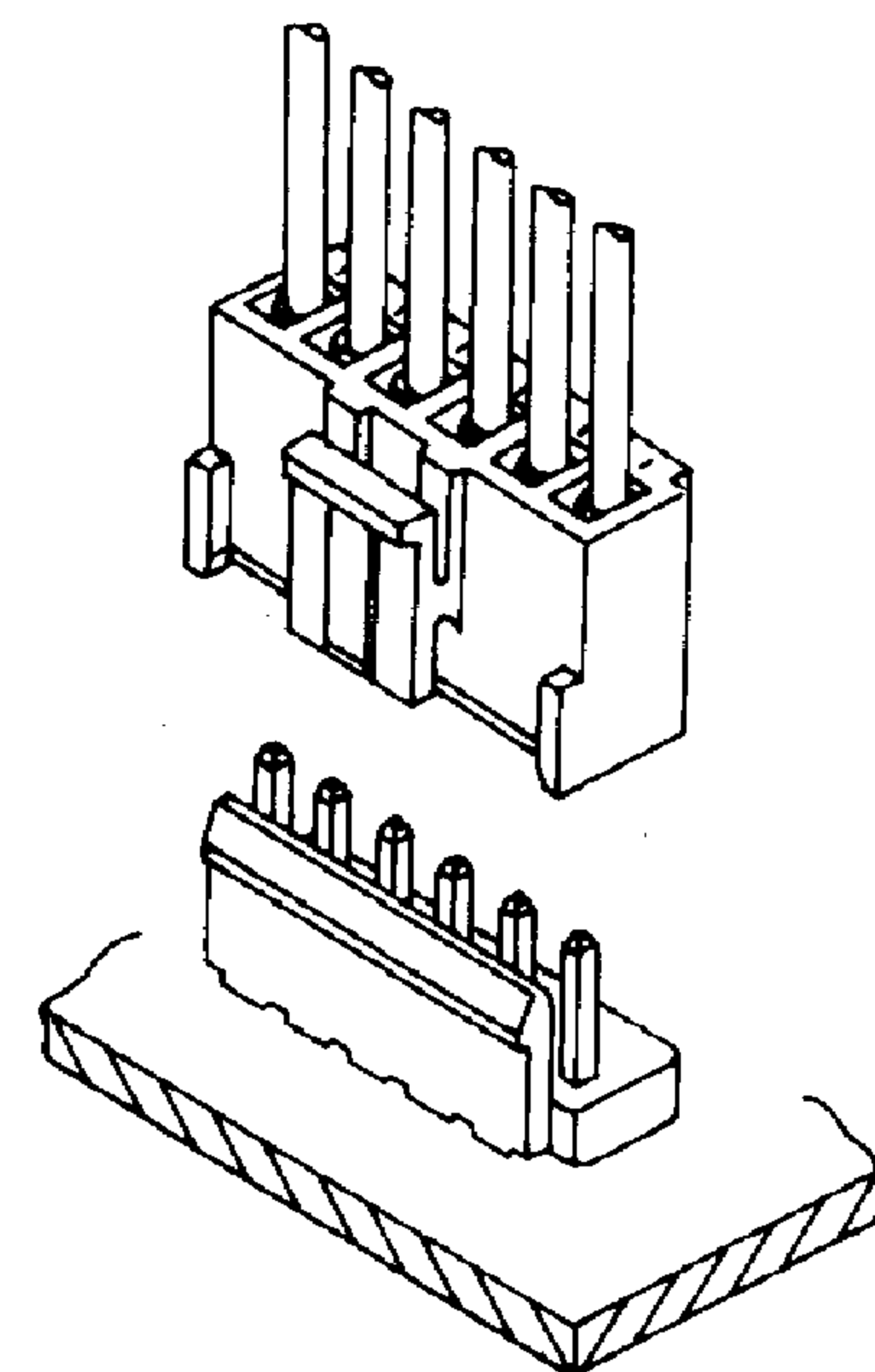
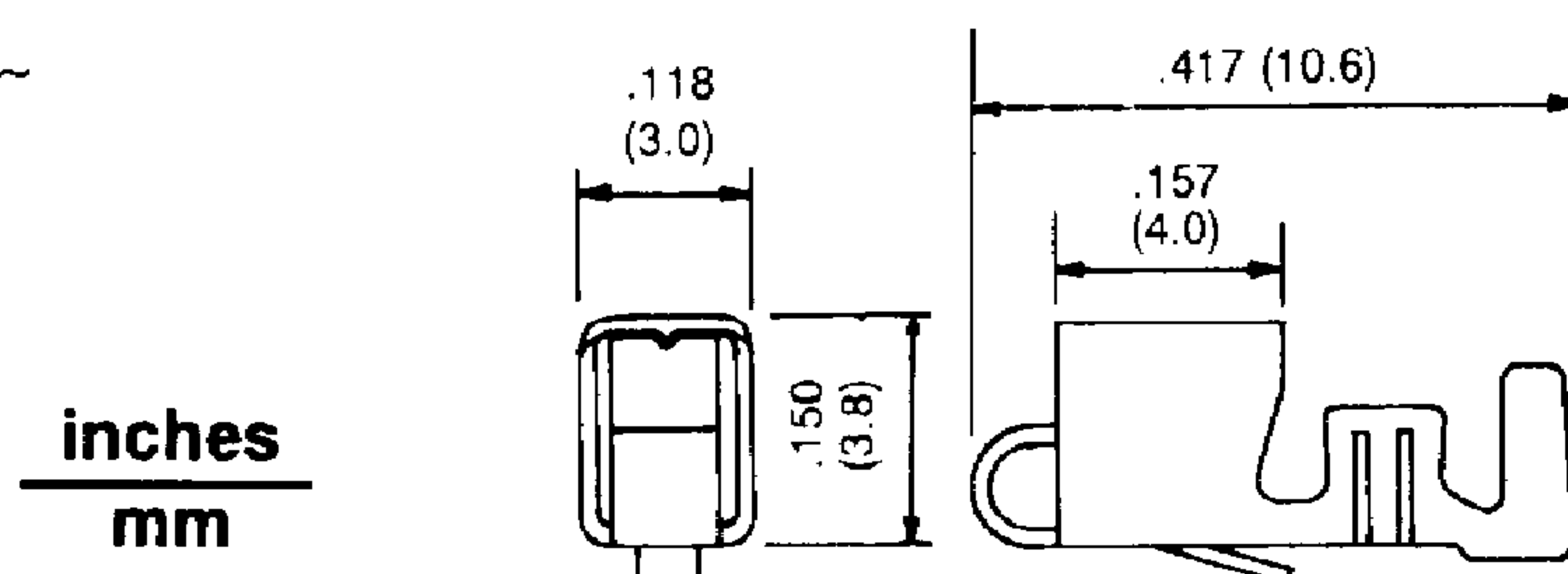
Specifications

- Current rating: 7A AC, DC
- Voltage rating: 250V AC, DC
- Temperature range: -25°C ~ +85°C
(including temperature rise)
- Contact resistance: Initial value/10mΩ max.
After environmental testing/20mΩ max.
- Insulation Resistance: 1,000 MΩ min.
- Withstand voltage: 1,500V AC/minute
- Applicable Wires: AWG #22 ~ #18
- Applicable PC board thickness: .063" (1.6mm)

39606T Series

Crimp Terminal

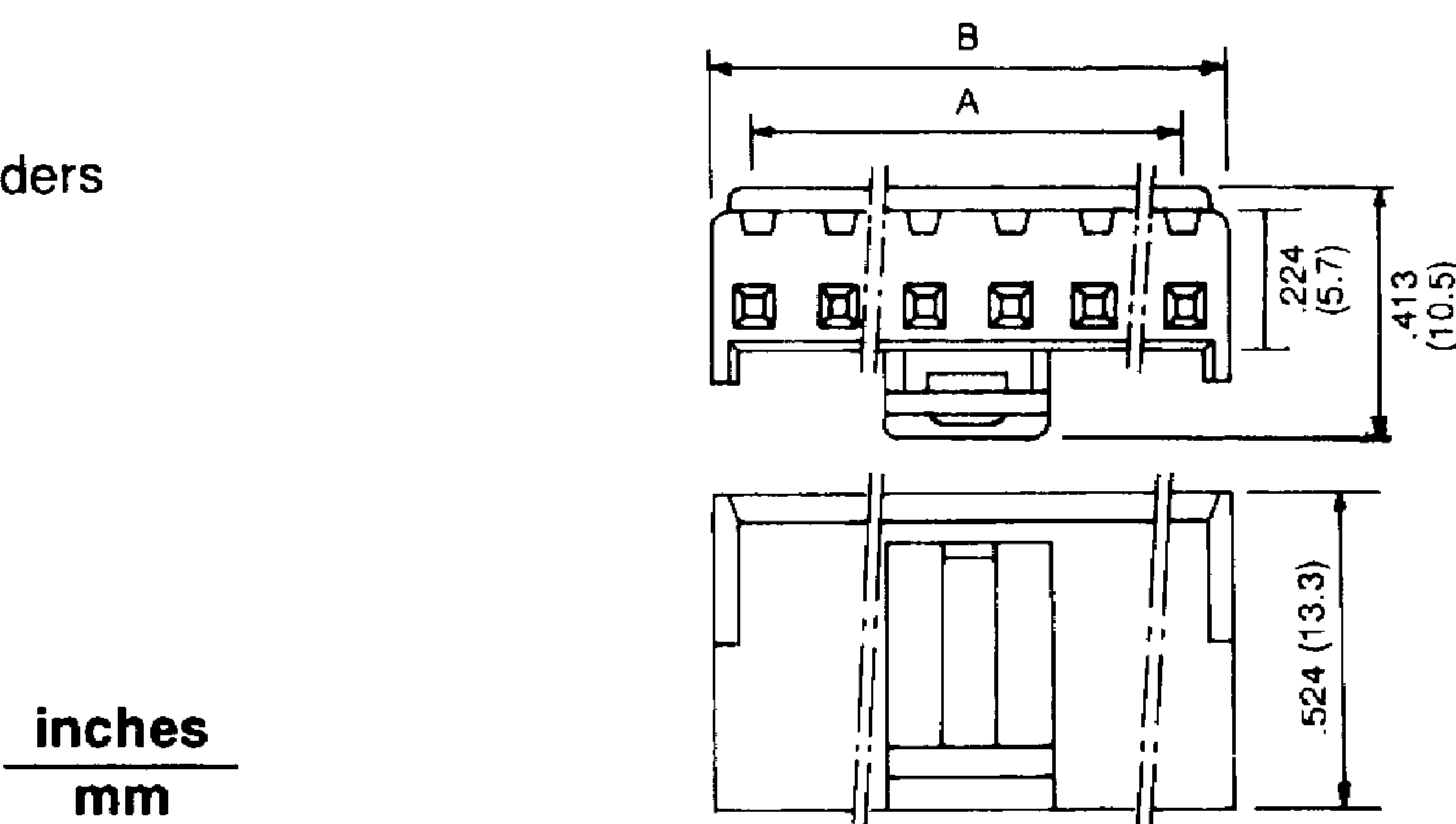
- Used in 39606T series housing
- Applicable wires: AWG #22 ~ #18
- Material: Tin-plated brass
- Insulation O.D.: .067" (1.7mm) ~
.118" (3.0mm)



39606H-N Series

Polarizing Housing

- Material: 94V-0 nylon
- 2-10 circuits available
- Standard color: white
- Accepts 39606T terminal
- Mates with 39606W series headers



Dimensional Information - in. (mm)

Circuits	Dim. A	Dim. B	Circuits	Dim. A	Dim. B
2	.156 (3.96)	.309 (7.86)	7	.935 (23.76)	1.089 (27.66)
3	.312 (7.92)	.465 (11.82)	8	1.091 (27.72)	1.245 (31.62)
4	.468 (11.88)	.621 (15.78)	9	1.247 (31.68)	1.401 (35.58)
5	.624 (15.84)	.777 (19.74)	10	1.403 (35.64)	1.557 (39.54)
6	.780 (19.80)	.933 (23.70)			