

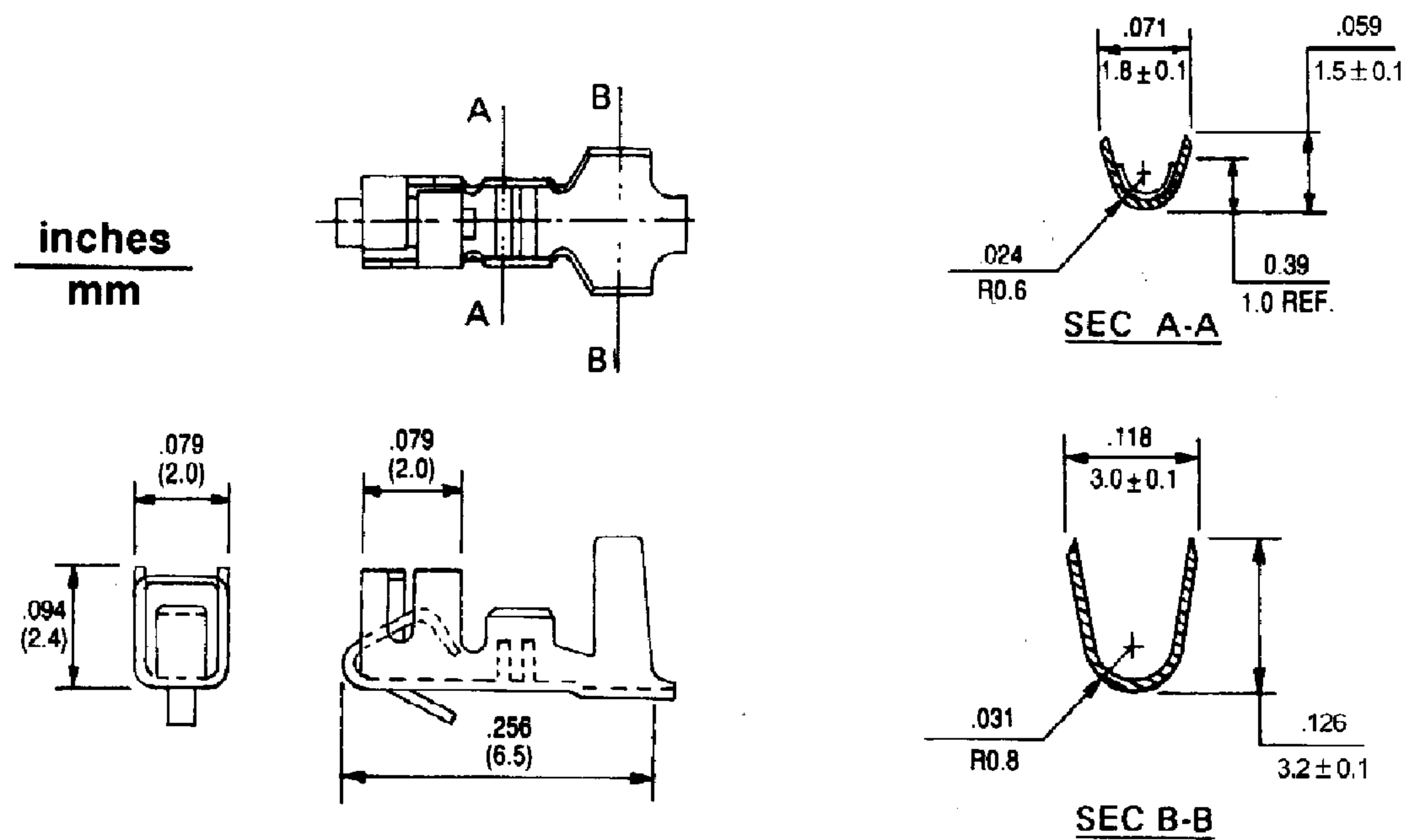
# .098" (2,5 mm) Center Low-Profile Crimp Terminal Housings

## Specifications

- Current rating: 3A AC, DC
- Voltage rating: 250V AC, DC
- Temperature range:  $-25^{\circ}\text{C} \sim +85^{\circ}\text{C}$   
(including temperature rise)
- Contact resistance: Initial value/10m $\Omega$  max.  
After environmental testing/20m $\Omega$  max.
- Insulation resistance: 1,000M $\Omega$  min.
- Withstand voltage: 1,000 AC/minute
- Applicable wires: AWG #28 ~ #22
- Applicable PC board thickness: .063" (1.6mm)

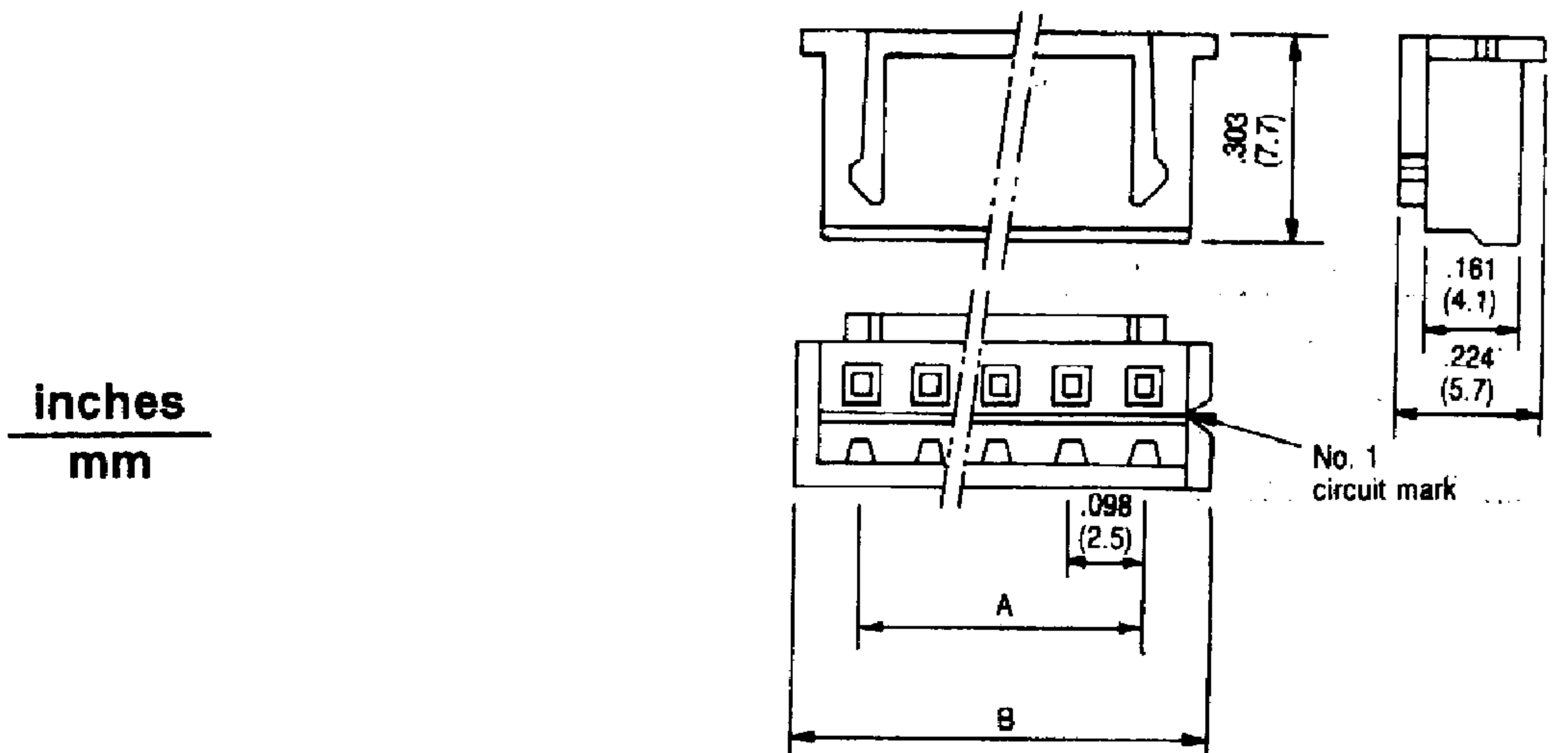
## 25007T Series Crimp Terminals

- Used in 25007H-N series housing
- Accepts #22 to 28 AWG wire
- Material: Tin plated phosphor bronze
- Plating options available



## 25007H-N Series Polarizing Housings

- Accepts 25007T terminal
- 94V-0 Nylon
- Molded friction lock
- 2-20 Circuits available
- Optional polarization or locking ramp version
- Mates with 25007W Series headers



## Dimensional Information -in. (mm)

Circuits	Dim. A	Dim. B	Circuits	Dim. A	Dim. B	Circuits	Dim. A	Dim. B
2	.098 ± .004 2,50 ± 0,10	.287 ± .008 7,30 ± 0,20	9	.787 ± .005 20,0 ± 0,13	.976 ± .009 24,8 ± 0,23	15	1.378 ± .008 35,00 ± 0,20	1.567 ± .012 39,8 ± 0,30
3	.197 ± .004 5,00 ± 0,10	.386 ± .008 9,80 ± 0,20	10	.886 ± .006 22,5 ± 0,15	1.075 ± .010 27,3 ± 0,25	16	1.477 ± .008 37,50 ± 0,20	1.665 ± .012 42,3 ± 0,30
4	.295 ± .004 7,50 ± 0,10	.484 ± .008 12,3 ± 0,20	11	.984 ± .006 25,0 ± 0,25	1.173 ± .010 29,8 ± 0,25	17	1.575 ± .008 40,00 ± 0,20	1.764 ± .012 44,8 ± 0,30
5	.394 ± .004 10,0 ± 0,10	.583 ± .008 14,8 ± 0,20	12	1.083 ± .007 27,50 ± 0,18	1.272 ± .011 32,3 ± 0,28	18	1.674 ± .009 42,50 ± 0,23	1.862 ± .013 47,3 ± 0,33
6	.492 ± .004 12,5 ± 0,10	.681 ± .009 17,3 ± 0,23	13	1.181 ± .007 30,00 ± 0,18	1.370 ± .011 34,8 ± 0,28	19	1.772 ± .009 45,00 ± 0,23	1.961 ± .013 49,8 ± 0,33
7	.591 ± .005 15,0 ± 0,13	.780 ± .009 19,8 ± 0,23	14	1.280 ± .007 32,50 ± 0,18	1.469 ± .011 37,3 ± 0,28	20	1.870 ± .010 47,50 ± 0,25	2.059 ± .014 52,3 ± 0,36
8	.689 ± .005 17,5 ± 0,13	.878 ± .009 22,3 ± 0,23						