

.059" (1.5mm) SMT Type Shrouded Header

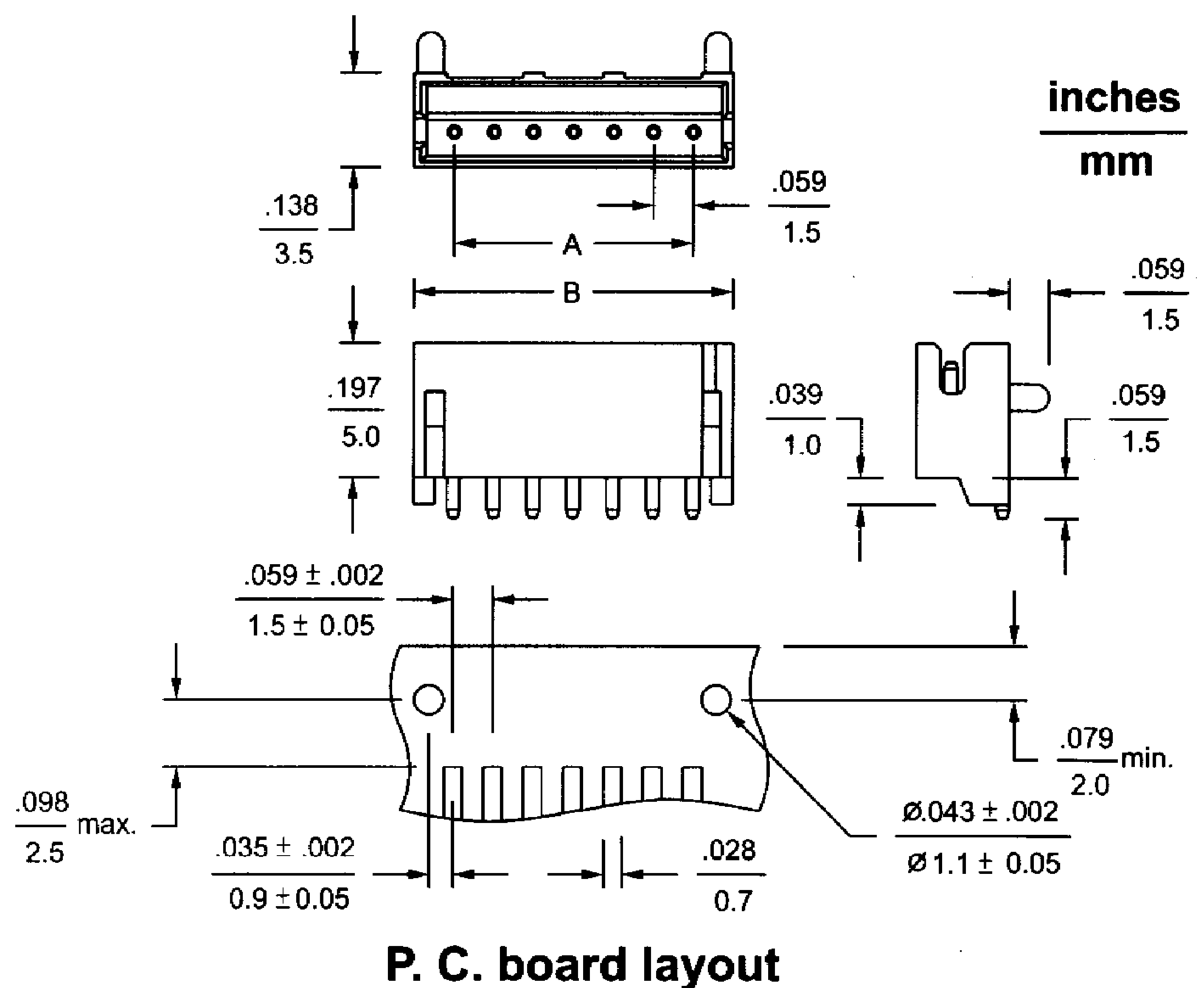
15001WRP-SMT-N Series Side Entry Type

- 2 ~ 13 circuits available
- Contact: Tin-plated brass
- Insulation: Glass-filled nylon 46, UL 94V-0
- Standard color: Natural (ivory)
- Mates with 15001H series housing

Dimensional Information (mm)

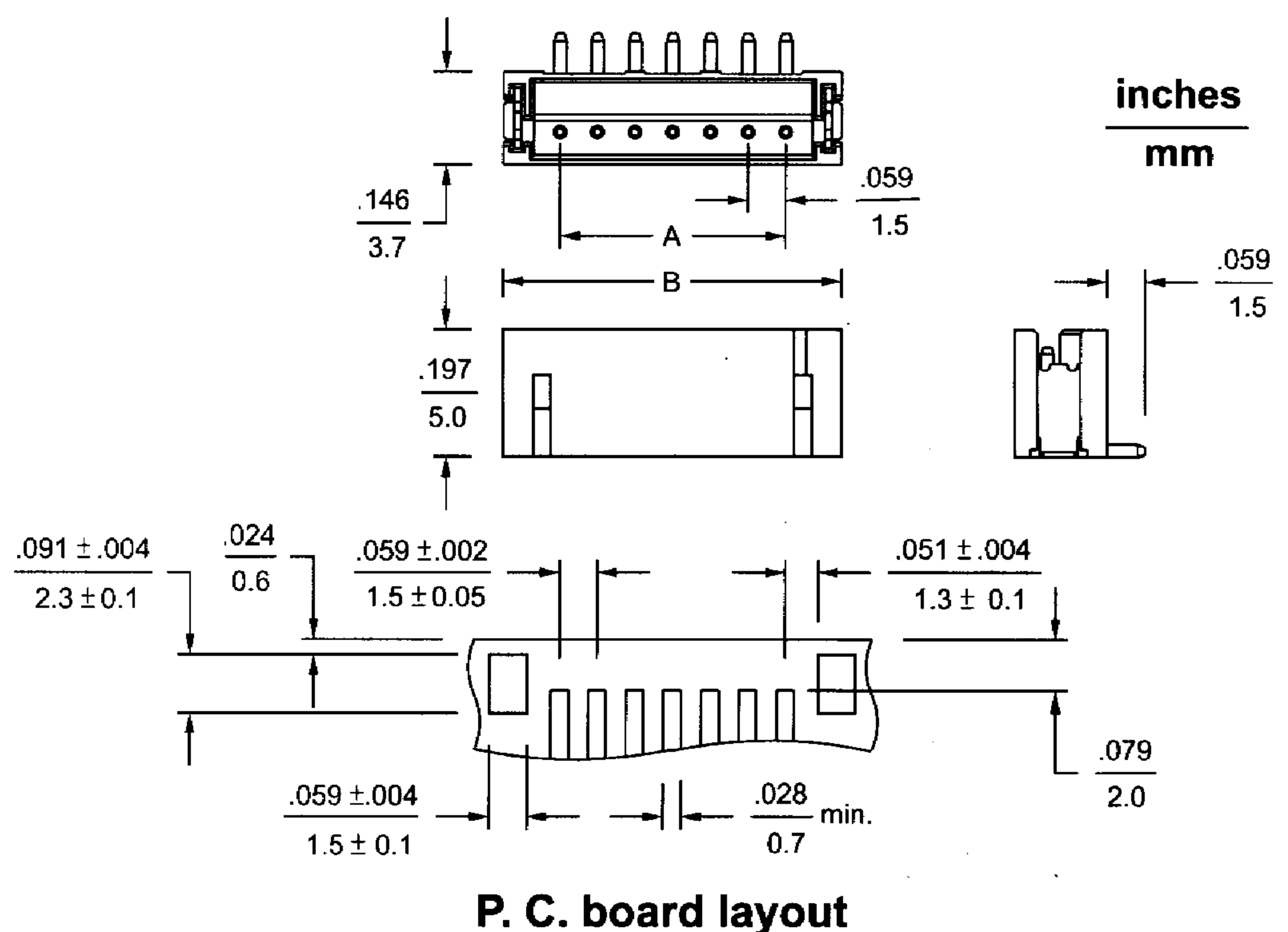
Circuits	Dim. A	Dim. B
N	1.5 x (N - 1)	1.5 x (N + 1)

&& N = Number of contact, 2 ~ 13



15001WS-SMT-N Series Top Entry Type

- 2 ~ 13 circuits available
- Contact: Tin-plated brass
- Insulation: Glass-filled nylon 46, UL 94V-0
- Standard color: Natural (ivory)
- Mates with 15001H series housing



15001WR-SMT-N Series Side Entry Type

- 2 ~ 13 circuits available
- Contact: Tin-plated brass
- Insulation: Glass-filled nylon 46, UL 94V-0
- Standard color: Natural (ivory)
- Mates with 15001H series housing

Dimensional Information (mm)

Circuits	Dim. A	Dim. B
N	1.5 x (N - 1)	1.5 x (N + 2)

&& N = Number of contact, 2 ~ 13

