

Materials:

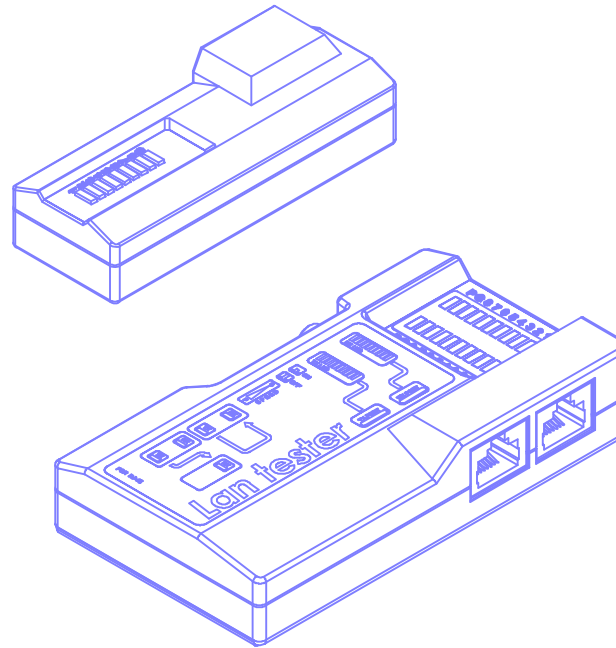
Plastic Body : Fireproof ABS UL-94V0
 RJ-45 Jack : 8P8C 6 micro inches gold plated
 PCB : FR-4 / UL-94V0
 leather bag : PVC

Electrical Specifications:

Insulation Resistance : 500M ohms (min.)
 Contact Resistance : 20m ohms (max.)
 Current Rating : 1.5 Amps .
 DC Resistance : 0.1 ohm (max.)
 Withstanding Voltage : 1000 VAC RMS @ 60Hz / 1 min.

Mechanical Specifications:

RJ-45 Jack Insertion Cycle : Over 2000 Cycles (min.)
 Operation Temperature : -40 °C ~ +70 °C

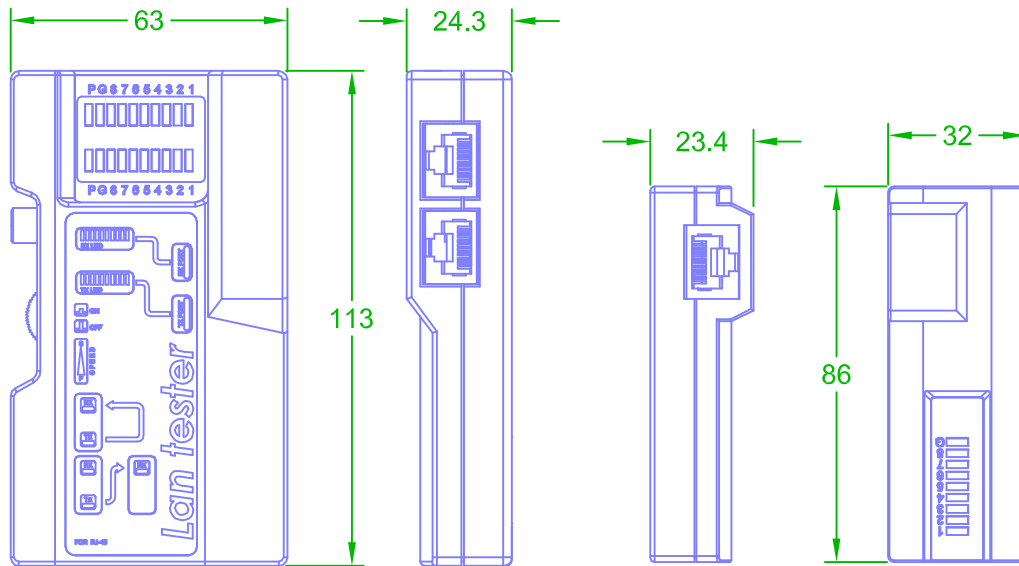
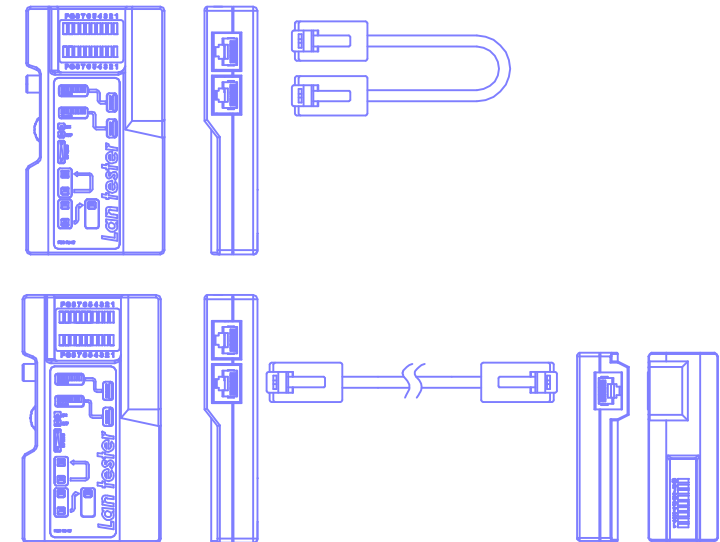


CABLE TESTER

Test RJ-45 (8P8C) UTP,STP Cable
 Two-piece design within one retail box
 Master unit provides patch cord function test
 Maximum testing length up to 1000 ft
 Power : DC-9V Battery

Notice : NOT for ALIVE CIRCUITS

Operation :



B	2017.08.17. Rescheduling coding	3RD		Drawing	<i>Chidy</i>	Date	2017/08/17	Part.NO	PM-200Z
A	An initial version	Unit	m/m	Checked	<i>Chris</i>	Date	2017/08/17	Description	
Rev	Description	Scale	1:1	Approved	<i>Jason</i>	Date	2017/08/17	LAN TESTER	



Plug Master
 INDUSTRIAL CO.,LTD
 www.plugmaster.com.tw