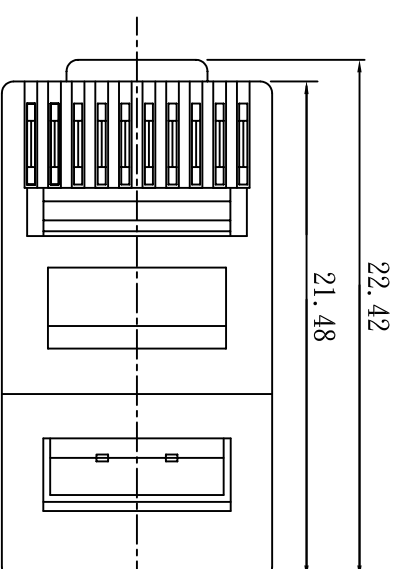
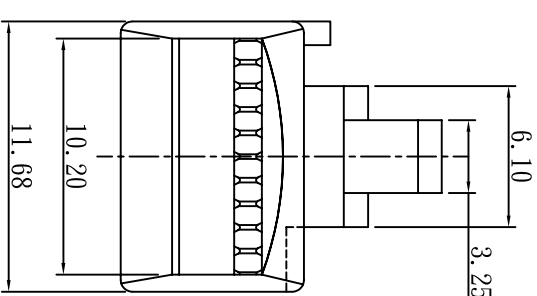
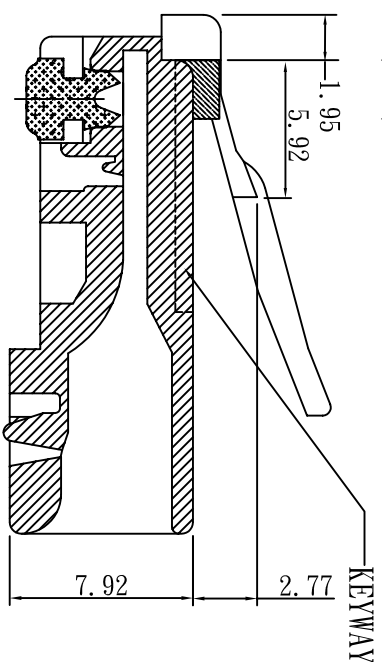
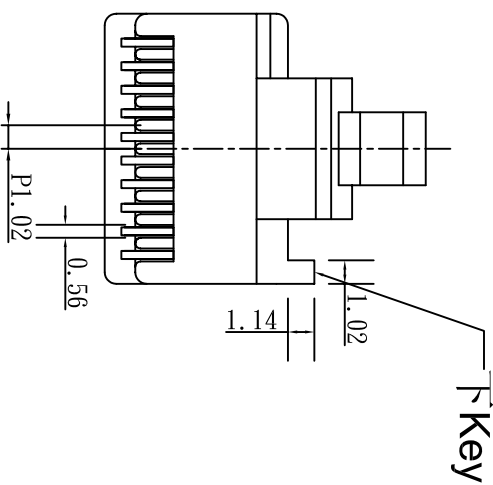
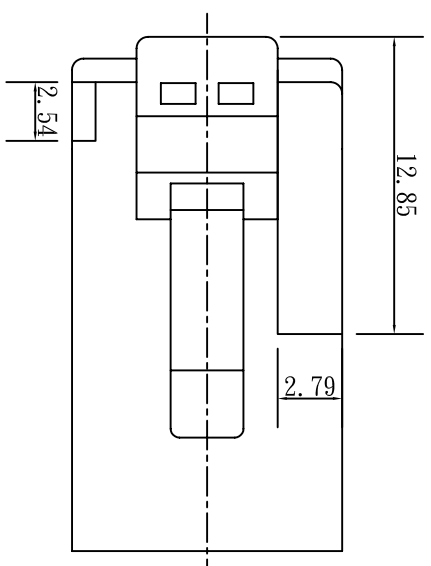


SPECIFICATION MECHANICAL:

1. Housing Material: Polycarbonate, UL 94V-2. NO Poison
2. Material Contact: 6U" Below Brass.
15U" Above Phosphor Bronze.
3. Contact area plated gold over 3U"/6U"/15U"/30U" and 50U", the other area plated gold over FU".
4. Contact area plated Nickel over 60U", the other area plated Nickel over 30U".
5. Housing Color: Transparency.
6. Operation Temperature: -40°c to 80°c.



NOTE TOL: ±0.1

| | |
|-----|-----|
| 版本 | A |
| 3RD | ⊕ ⊖ |
| 單位 | m/m |
| 比例 | 1/1 |

| | | | | | |
|----|---------------|----|-----------|----|---------|
| 繪圖 | <i>Chicky</i> | 日期 | 2005/12/9 | 品名 | 10P10C |
| 核對 | | 日期 | | 規格 | R-下key |
| 核准 | | 日期 | | 圖號 | P10-K14 |

PMC 普萊格通訊電子有限公司
 PLUG MASTER INDUSTRIAL CO., LTD
 TEL: 86-769-87889195 FAX: 86-769-87889175