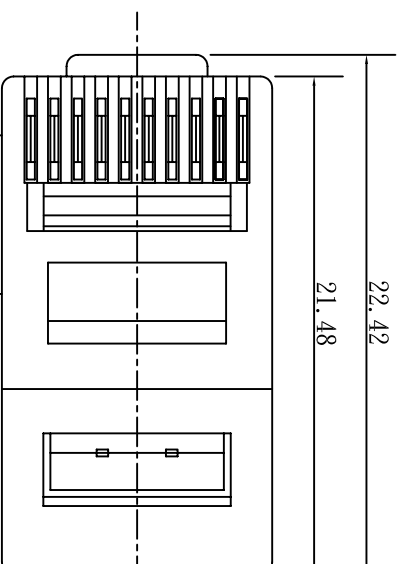
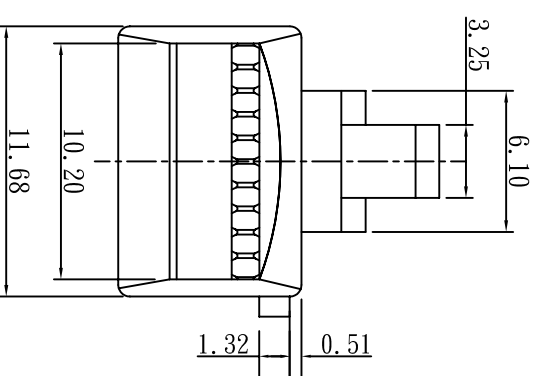
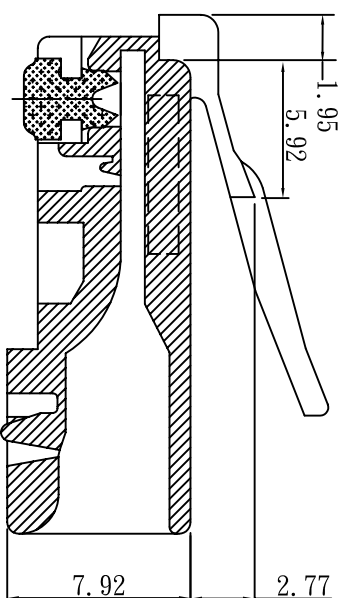
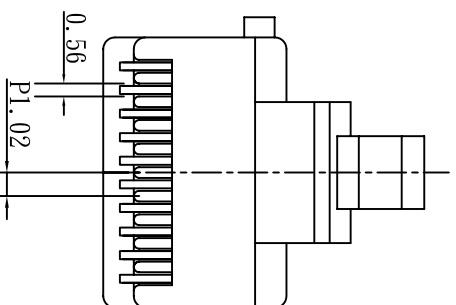
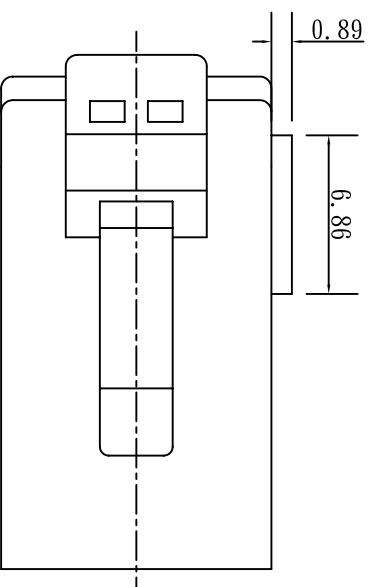


SPECIFICATION MECHANICAL:

1. Housing Material: Polycarbonate, UL 94V-2. NO Poison
2. Material Contact: 6U" Below Brass.
15U" Above Phosphor Bronze.
3. Contact area plated gold over 3U"/6U"/15U"/30U" and 50U", the other area plated gold over FU".
4. Contact area plated Nickel over 60U", the other area plated Nickel over 30U".
5. Housing Color: Transparency.
6. Operation Temperature: -40°c to 80°c.



左Key

NOTE TOL: ±0.1

版本 A

3RD 单位 m/m 比例 1/1

繪圖 *Chicky* 核對 核准

日期 2005/15/9

品名 規格 圖號

10P10C
R-左key
P10-K13

PMC 普莱格通讯电子有限公司
PLUG MASTER INDUSTRIAL CO., LTD
TEL: 86-769-87889195 FAX: 86-769-87889175