

Drawing Number: P10-010-□□□□□

1. Housing Material: Polycarbonate, UL Flammability Rating:

①=UL 94V-0, RoHS Compliant.

②=UL 94V-2, RoHS Compliant.

2. Contacts Type: ①=Straight pin fits Stranded wire only.

②=Two prong angled pin fits Solid/Stranded Wires.

③=Three prong pin fits Solid/Stranded Wires.

3. Gold Plating: ①= Fu" (Flash), ②= 2-3u" ( $0.0508 \mu\text{m} \leq A \leq 0.0762 \mu\text{m}$ ),

③= 3u" ( $\geq 0.0762 \mu\text{m}$ ), ④= 6u" ( $\geq 0.1524 \mu\text{m}$ ),

⑤= 15u" ( $\geq 0.381 \mu\text{m}$ ), ⑥= 30u" ( $\geq 0.762 \mu\text{m}$ ),

⑦= 50u" ( $\geq 1.27 \mu\text{m}$ ).

4. Packaging Quantity: ①=1000pcs, ②=500pcs, ③=250pcs, ④=200pcs

⑤= 100pcs, ⑥= 50pcs, ⑦= 25pcs, ⑧= 10pcs

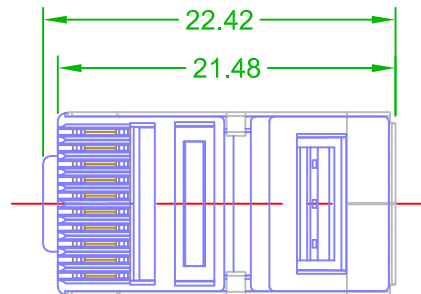
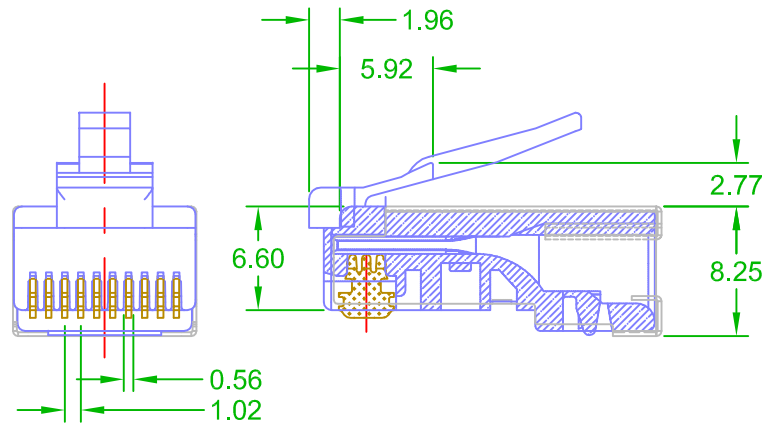
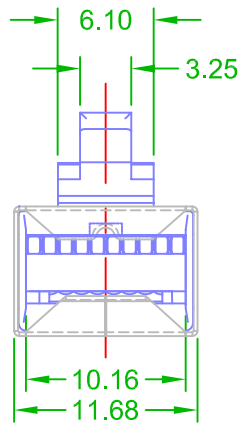
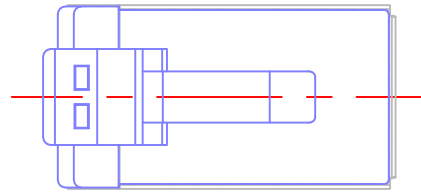
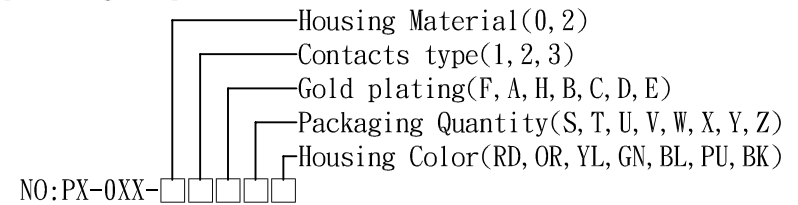
⑨= Other

5. Housing Color: Transparent, other colors are available.

(Red=RD, Orange=OR, Yellow=YL, Green=GN, Blue=BL, Purple=PU, Black=BK)

6. Shielded Material: Brass with nickel plated, or Non-Shielded.

7. Operating Temperature:  $-10^{\circ}\text{C}$  to  $60^{\circ}\text{C}$ .



□ Straight pin



□ Two prongs pin



□ Three prongs pin

NOTE TOL:  $\pm 0.1$

B	2018.09.13. Rescheduling coding	3RD		Drawing	Chidy	Date	2004/11/11	UL Code	10P10C-S
A	An initial version	Unit	m/m	Checked	Chris	Date	2004/11/11	Description	
Rev	Description	Scale	1:1	Approved	Jason	Date	2004/11/11	F Shielded	



**Plug Master**  
INDUSTRIAL CO., LTD  
www.plugmaster.com.tw