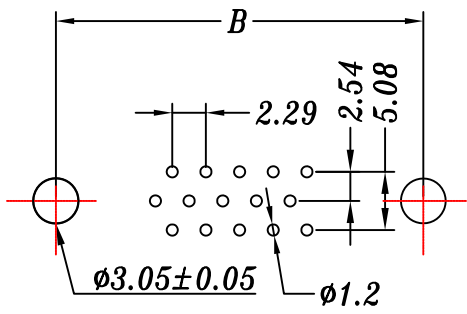
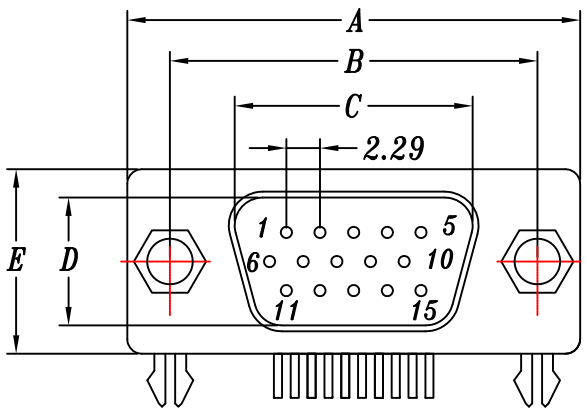
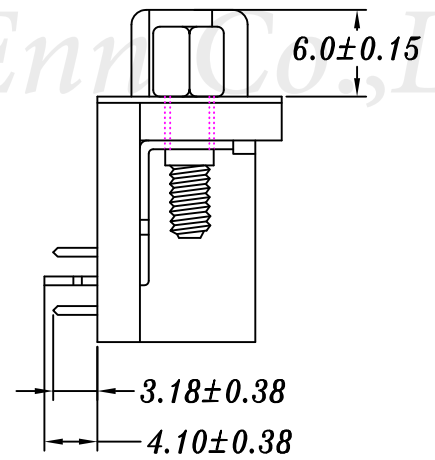
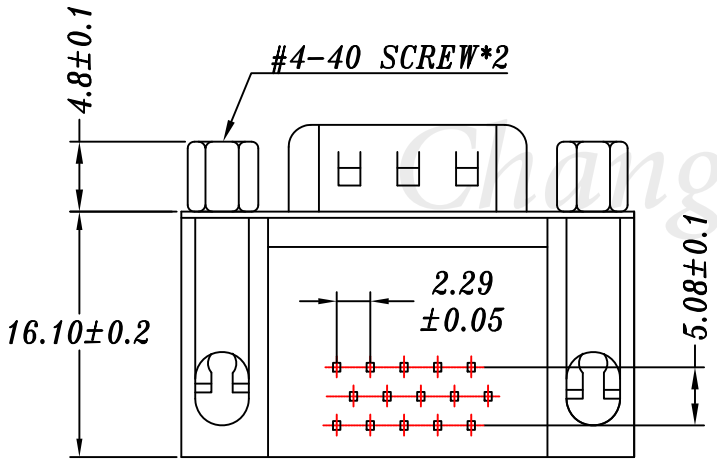


REV.	DESCRIPTION	DATE	REVISED	APPD



P.C.B LAYOUT

- Note:**
- Material:**
 - Insulator: High temperature thermoplastic with g.f,UL94v-0
 - Contact: Copper alloy,t=0.20mm
 - Shell: Spcc,t=0.30mm
 - Specification:**
 - Current rating: 1 A Max.
 - Dielectric withstanding voltage: 750 V(ac) for 1 min.
 - Contact resistance: 30 mW Max.
 - Insulation resistance: 1000 MW Min.
 - Total mating force: 7.0 Kgf Max.
 - Total unmating force: 1.5 Kgf Min.
 - Temperature range: -55°C~85°C



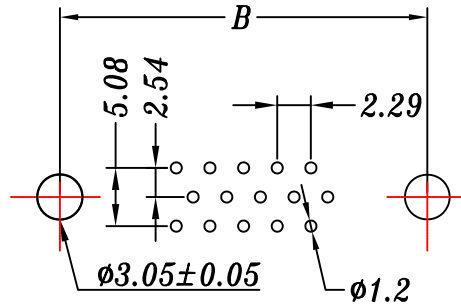
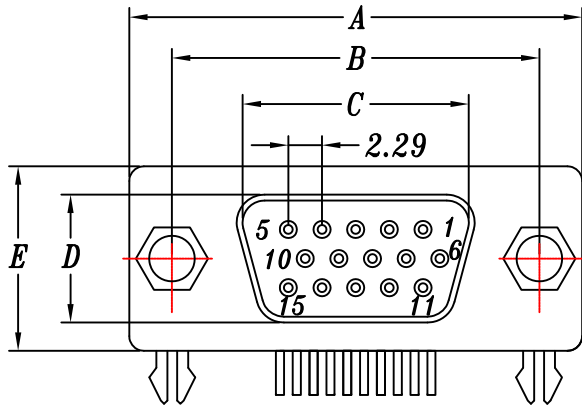
	A±0.2	B±0.2	C±0.2	D±0.2	E±0.2
PND07-15P	30.81	24.99	16.92	8.38	12.55
PND07-26P	39.25	33.32	25.25	8.38	12.55
PND07-44P	53.04	47.04	38.96	8.38	12.55
PND07-62P	69.32	63.50	55.42	8.38	12.55
PND07-78P	66.90	61.10	52.86	10.95	15.35

8	Back-Shell	1		
7	Front-Shell	1		
6	Clip	1		No Finish
5	Contact	4		Selective Au Plated on Mating Area
4	Contact	4		
3	Contact	4		
2	Contact	4		
1	Housing	1		Black
No.	Name	Q'ty	Part No.	Finish

PART NO:		MATERIAL:		長榮有限公司	
MODEL NO:		FINSH:			
UNIT: mm	SIZE:	COLOR:		PART NAME:	
TOLERANCE UNSPECIFIED		DR: YuHong		HDD RIGHT ANGLE P.B.C TYPE (Male)	
.x ±0.3	.xx ±0.20	CHK: Nick		DWG NO: PND07-(Male)	
.xxx ±0.100	ANG. ±1°	APP: Kent		REV: A02	
				SCALE: 1:1	SHEET: 1 of 1



REV.	DESCRIPTION	DATE	REVISER	APPD



P.C.B LAYOUT

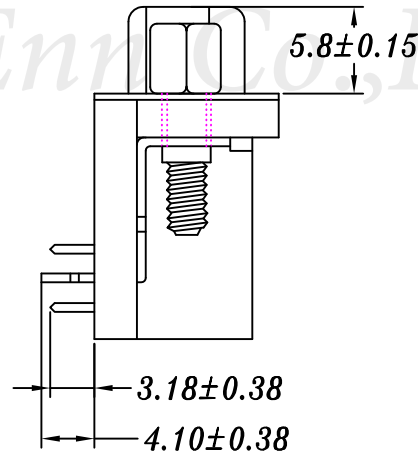
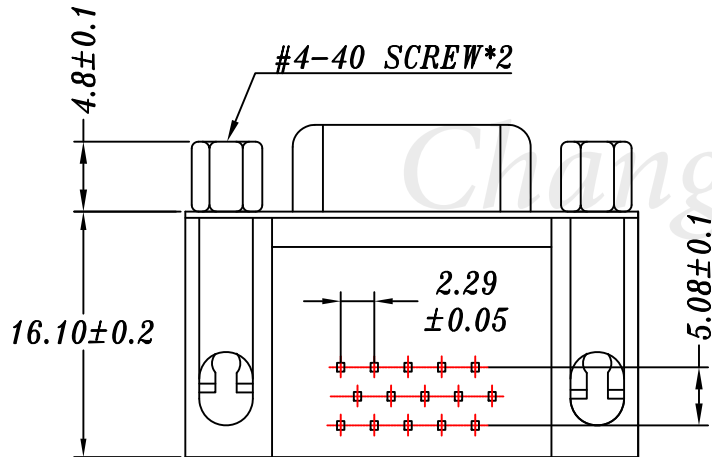
Note:

1. Material:

- 1.1 Insulator: High temperature thermoplastic with g.f,UL94v-0
- 1.2 Contact: Copper alloy,t=0.20mm
- 1.3 Shell: Spcc,t=0.30mm

2. Specification:

- 2.1 Current rating: 1 A Max.
- 2.2 Dielectric withstanding voltage: 750 V(ac) for 1 min.
- 2.3 Contact resistance: 30 mW Max.
- 2.4 Insulation resistance: 1000 MW Min.
- 2.5 Total mating force: 7.0 Kgf Max.
- 2.6 Total unmating force: 1.5 Kgf Min.
- 2.7 Temperature range: -55°C~85°C



	A±0.2	B±0.2	C±0.2	D±0.2	E±0.2
PND07-15S	30.81	24.99	16.33	7.90	12.55
PND07-26S	39.25	33.32	24.66	7.90	12.55
PND07-44S	53.04	47.04	38.38	7.90	12.55
PND07-62S	69.32	63.50	55.84	7.90	12.55
PND07-78S	66.90	61.10	53.26	10.47	15.35

8	Back-Shell	1		
7	Front-Shell	1		
6	Clip	1		No Finish
5	Contact	4		Selective Au Plated on Mating Area
4	Contact	4		
3	Contact	4		
2	Contact	4		
1	Housing	1		Black
No.	Name	Q'ty	Part No.	Finish

PART NO:		MATERIAL:		長榮有限公司	
MODEL NO:		FINSH:			
UNIT: mm	SIZE:	COLOR:		PART NAME:	
TOLERANCE UNSPECIFIED		DR: YuHong		HDD RIGHT ANGLE	
.x ±0.3		CHK: Nick		P.B.C TYPE (Female)	
.xx ±0.20		APP: Kent		DWG NO: PND07-(Female)	REV: A02
.xxx ±0.100				SCALE: 1:1	SHEET: 1 of 1
ANG. ±1°					