

REV.	DESCRIPTION	DATE	REVISER	APPD

Ordering Information: PND02- 15 S B W - C

DB PCB 180° CONNECTOR
HIGH DENSITY

NO. OF CONTACT:
15, 26, 44, 62

CONTACT TYPE:
S= FEMALE
P= MALE

CONTACTS PLATING
O= GOLD FLASH
B= SELECTIVE GOLD FLASH

MOUNTING HOLE
A= A TYPE
B= B TYPE
C= C TYPE

INSULATION COLOR
B= BLACK
U= BLUE
W= WHITE

- Note:
- Material:
 - Insulator: High temperature thermoplastic with g.f,UL94v-0
 - Contact: Copper alloy,t=0.20mm
 - Shell: Spcc,t=0.30mm
 - Specification:
 - Current rating: 1 A Max.
 - Dielectric withstanding voltage: 750 V(ac) for 1 min.
 - Contact resistance: 30 mW Max.
 - Insulation resistance: 1000 MW Min.
 - Total mating force: 7.0 Kgf Max.
 - Total unmating force: 1.5 Kgf Min.
 - Temperature range: -55°C~85°C

A	前鉚型 (通孔)	B	後鉚型 (通孔)	C	後鉚型 (魚叉)

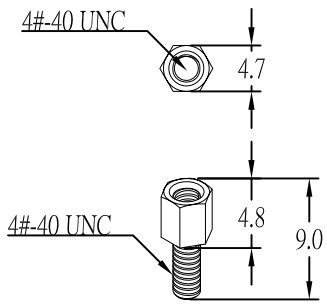
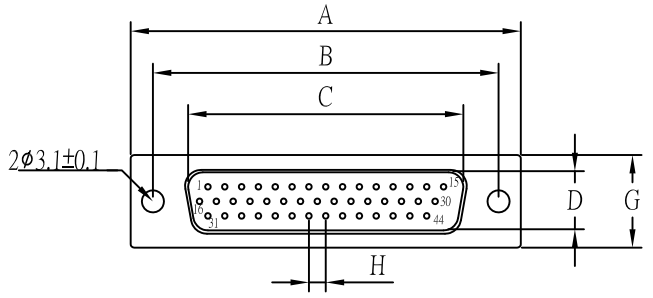
8	Back-shell	1		
7	Front-shell	1		
6	Clip	1		No finish
5	Contact	4		Selective Au plated on mating area
4	Contact	4		
3	Contact	4		
2	Contact	4		
1	Housing	1		Black
No.	Name	Q'ty	Part No.	Finish

PART NO	A±0.25	B±0.20	C±0.20	D±0.20	E±0.30	F±0.10	G±0.25	H±0.05
PND02-15S	30.81	24.99	16.33	7.90	16.00	3.96	12.55	2.29
PND02-26S	39.25	33.32	24.66	7.90	16.00	3.96	12.55	2.29
PND02-44S	53.04	47.04	38.38	7.90	16.00	3.96	12.55	2.29
PND02-62S	69.50	63.50	54.84	7.90	16.00	3.96	12.55	2.41

PART NO:		MATERIAL:		長榮有限公司	
MODEL NO:		FINSH:			
UNIT: mm	SIZE:	COLOR:		PART NAME:	
TOLERANCE UNSPECIFIED		DR: YuHong		D-SUB HDD P.C.B SOLDER (Female)	
.x ±0.3	.xx ±0.20	CHK: Nick		DWG NO: PND02-(Female)	
.xxx ±0.100	ANG. ±1°	APP: Kent		REV: A04	
SCALE: 1:1			SHEET: 1 of 1		

1 2 3 4 5 6 7 8

REV.	DESCRIPTION	DATE	REVISED	APPD



Ordering Information:

PND02-09 P B W - C

DB PCB 180° CONNECTOR
HIGH DENSITY

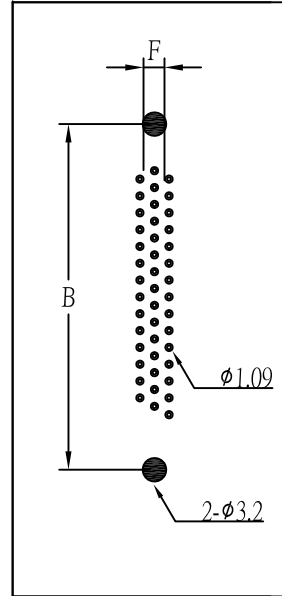
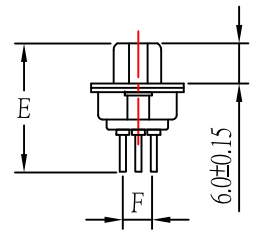
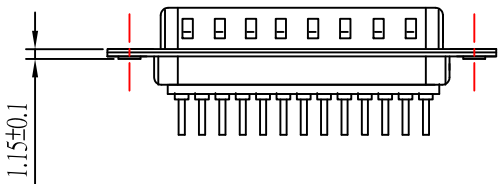
NO. OF CONTACT:
09, 15, 19, 23, 25, 37

CONTACT TYPE:
S= FEMALE
P= MALE

CONTACTS PLATING
O= GOLD FLASH
B= SELECTIVE GOLD FLASH

MOUNTING HOLE
A= A TYPE
B= B TYPE
C= C TYPE

INSULATION COLOR
B= BLACK
U= BLUE
W= WHITE



Note:

- Material:
 - Insulator: High temperature thermoplastic with g.f,UL94v-0
 - Contact: Copper alloy,t=0.20mm
 - Shell: Spcc,t=0.30mm
- Specification:
 - Current rating: 1 A Max.
 - Dielectric withstanding voltage: 750 V(ac) for 1 min.
 - Contact resistance: 30 mW Max.
 - Insulation resistance: 1000 MW Min.
 - Total mating force: 7.0 Kgf Max.
 - Total unmating force: 1.5 Kgf Min.
 - Temperature range: -55°C~85°C

A	前鉚型 (通孔)	B	後鉚型 (通孔)	C	後鉚型 (魚叉)

8	Back-shell	1		
7	Front-shell	1		
6	Clip	1		No finish
5	Contact	4		Selective Au plated on mating area
4	Contact	4		
3	Contact	4		
2	Contact	4		
1	Housing	1		Black
No.	Name	Q'ty	Part No.	Finish

PART NO	A±0.25	B±0.20	C±0.20	D±0.20	E±0.30	F±0.10	G±0.25	H±0.05
PND02-15P	30.81	24.99	16.92	8.38	16.00	3.96	12.55	2.29
PND02-26P	39.25	33.32	25.25	8.38	16.00	3.96	12.55	2.29
PND02-44P	53.04	47.04	38.96	8.38	16.00	3.96	12.55	2.29
PND02-62P	69.50	63.50	55.42	8.38	16.00	3.96	12.55	2.41
PND02-78P	67.02	61.02	52.75	11.03	16.00	3.96	15.35	2.41

PART NO:		MATERIAL:		長榮有限公司	
MODEL NO:		FINSH:			
UNIT: mm	SIZE:	COLOR:		PART NAME:	
TOLERANCE UNSPECIFIED		DR: YuHong		D-SUB HDD P.C.B SOLDER (Male)	
.x	±0.3	CHK: Nick		DWG NO: PND02-(Male)	
.xx	±0.20	APP: Kent		REV: A04	
.xxx	±0.100	SCALE: 1:1		SHEET: 1 of 1	
.ANG.	±1°				

1 2 3 4 5 6 7 8