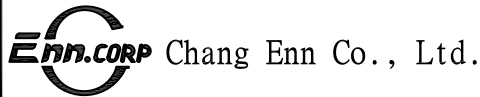


| For Cable DIA | | | | | |
|---------------|------|------|------|------|------|
| F | 10.0 | 13.0 | 14.5 | 16.0 | 18.0 |

| | A±0.2 | B±0.2 | C±0.2 | D±0.2 | E±0.1 | STF-4*12.5 | STB-4*12.5 | SN-4*5 | SSW-4 |
|-----|-------|-------|-------|-------|-------|------------|------------|--------|-------|
| 50P | 67.0 | 48.4 | 18.8 | 25.5 | 61.0 | 2PCS | 2PCS | 2PCS | 2PCS |

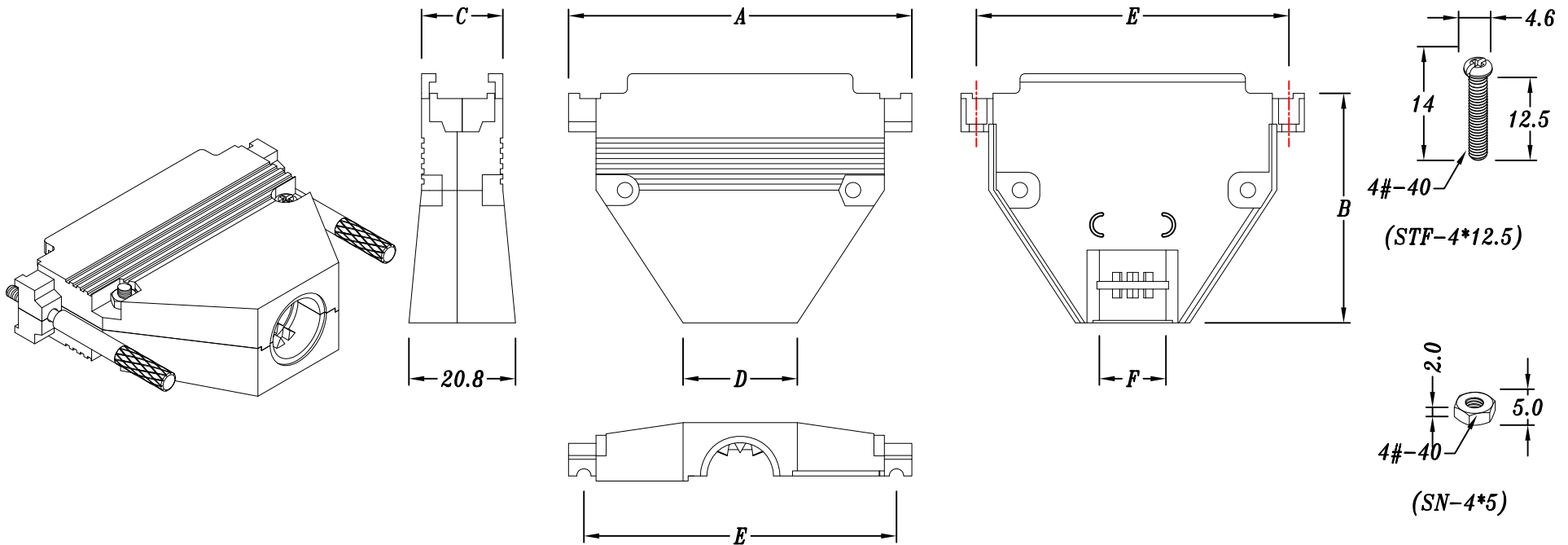


NO.410, FU-TEH 1ST ROAD,
SHIJR, TAIPEI COUNTY
221, TAIWAN, R.O.C.
TEL: 886-2-26945824
FAX: 886-2-26946971

TITLE D-SUB Metal Hood
(V-Type)
Short Screw
PARTS NO. PM02-50S
DWG, NO.

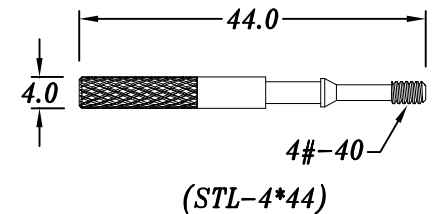
| GENERAL TOLERANCE | DRAWN | DATE | 94/08/01 | | |
|-------------------|---------|------|-----------|----|------|
| | CHECK | DATE | 103/07/31 | | |
| | APPROVE | DATE | | | |
| | SCALE | FREE | UNIT | MM | REV. |

DIM:
X. ±0.30
X.X ±0.20
X.XX±0.10



| For Cable DIA | | | | | |
|---------------|------|------|------|------|------|
| F | 10.0 | 13.0 | 14.5 | 16.0 | 18.0 |

| | A±0.2 | B±0.2 | C±0.2 | D±0.2 | E±0.1 | STF-4*12.5 | SN-4*5 | STL-4*44 |
|-----|-------|-------|-------|-------|-------|------------|--------|----------|
| 50P | 67.0 | 48.4 | 18.8 | 25.5 | 61.0 | 2PCS | 2PCS | 2PCS |



ENN.CORP Chang Enn Co., Ltd.

NO.410, FU-TEH 1ST ROAD,
SHIJR, TAIPEI COUNTY
221, TAIWAN, R.O.C.
TEL: 886-2-26945824
FAX: 886-2-26946971

TITLE D-SUB Metal Hood
(V-Type)
Long Screw
PARTS NO. PM02-50L
DWG, NO.

| GENERAL TOLERANCE | | DRAWN | DATE | 94/08/01 |
|--|------|---------|------|-----------|
| DIM: X. ±0.30 X.X ±0.20 X.XX±0.10 | | CHECK | DATE | 103/07/31 |
| | | APPROVE | DATE | |
| SCALE | FREE | UNIT | MM | REV. B |