

For Cable DIA						
F	6.0	7.0	8.0	9.0	10.0	12.0

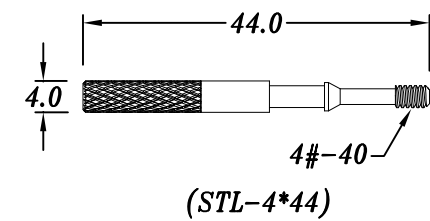
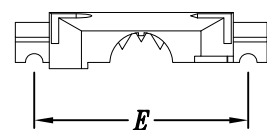
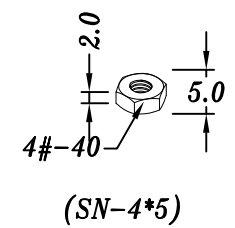
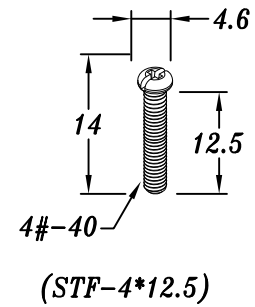
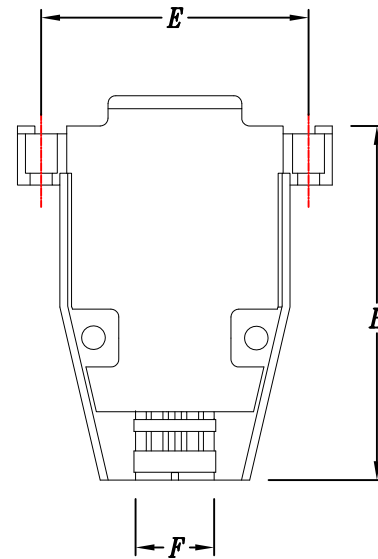
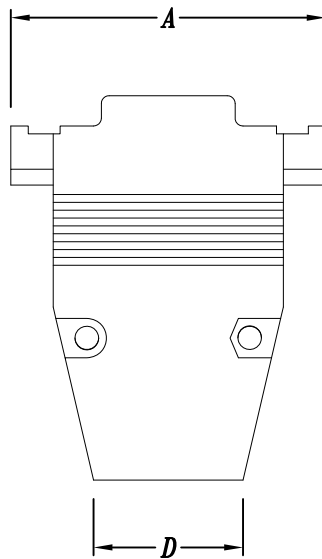
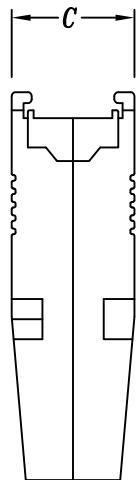
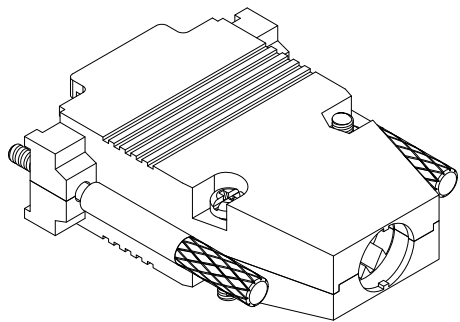
	A±0.2	B±0.2	C±0.2	D±0.2	E±0.1	STF-4*12.5	STB-4*12.5	SN-4*5	SSW-4
15P	40.0	48.0	15.8	14.0	33.0	2PCS	2PCS	2PCS	2PCS

**Chang Enn Co., Ltd.**

NO.410, FU-TEH 1ST ROAD,  
SHIJR, TAIPEI COUNTY  
221, TAIWAN, R.O.C.  
TEL: 886-2-26945824  
FAX: 886-2-26946971

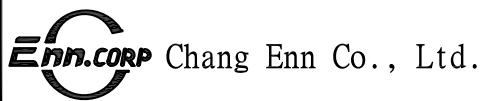
**TITLE**  
D-SUB Metal Hood  
(V-Type)  
Short Screw  
**PARTS NO.** PM02-15S  
**DWG, NO.**

<b>GENERAL TOLERANCE</b> DIM: X. ±0.30 X.X ±0.20 X.XX±0.10	<b>DRAWN</b>	<b>DATE</b>	95/04/17
	<b>CHECK</b>	<b>DATE</b>	103/07/24
	<b>APPROVE</b>	<b>DATE</b>	
	<b>SCALE</b>	<b>FREE</b>	<b>UNIT</b>
		<b>REV.</b>	B



For Cable DIA						
F	6.0	7.0	8.0	9.0	10.0	12.0

	A±0.2	B±0.2	C±0.2	D±0.2	E±0.1	STF-4*12.5	SN-4*5	STL-4*44
15P	40.0	48.0	15.8	14.0	33.0	2PCS	2PCS	2PCS



NO.410, FU-TEH 1ST ROAD,  
SHIJR, TAIPEI COUNTY  
221, TAIWAN, R.O.C.  
TEL: 886-2-26945824  
FAX: 886-2-26946971

**TITLE**  
D-SUB Metal Hood  
(V-Type)  
Long Screw  
**PARTS NO.**  
PM02-15L  
**DWG, NO.**

**GENERAL TOLERANCE**  
DIM:  
X. ±0.30  
X.X ±0.20  
X.XX±0.10

<b>DRAWN</b>		<b>DATE</b>	95/04/17
<b>CHECK</b>		<b>DATE</b>	103/07/24
<b>APPROVE</b>		<b>DATE</b>	
<b>SCALE</b>	FREE	<b>UNIT</b>	MM
		<b>REV.</b>	B