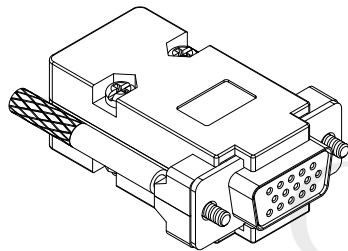
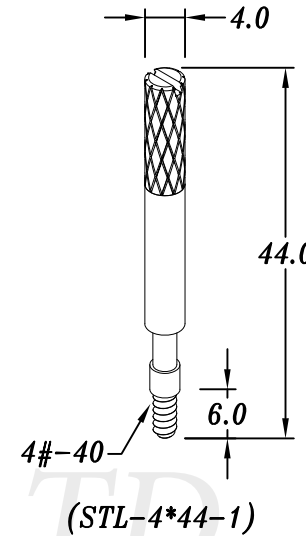
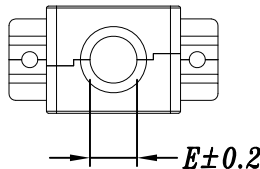
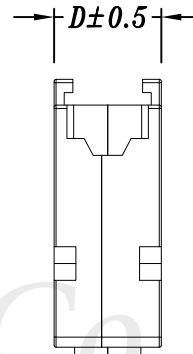
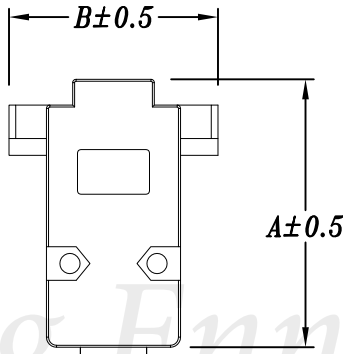
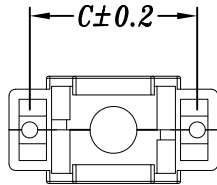


Short Screw

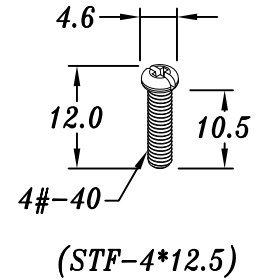


Long Screw

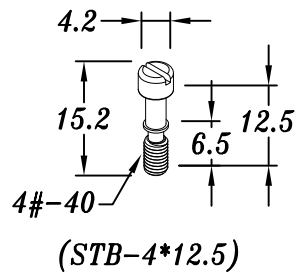
Material :Zinc Alloy
Finished :Chromate Plated



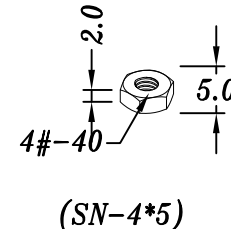
(STL-4*44-1)



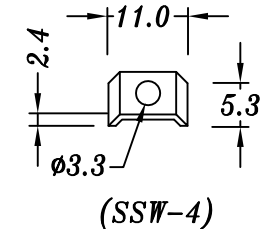
(STF-4*12.5)



(STB-4*12.5)

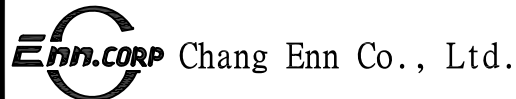


(SN-4*5)



(SSW-4)

	A±0.5	B±0.5	C±0.2	D±0.5	E±0.2	STB-4*12.5	STL-4*44-1	STF-4*12.5	SN-4*5	SSW-4
09S	40.0	31.2	25.0	16.0	7.0	2PCS		2PCS	2PCS	2PCS
09L	40.0	31.2	25.0	16.0	7.0		2PCS	2PCS	2PCS	



NO.410, FU-TEH 1ST ROAD,
SHIJR, TAIPEI COUNTY
221, TAIWAN, R.O.C.

TEL: 886-2-26945824

FAX: 886-2-26946971

TITLE

D-SUB Metal Hood
(V-Type)

PARTS NO.

PM01A-09

DWG, NO.

GENERAL TOLERANCE

DIM:
X: ±0.30
X.X ±0.20
X.XX±0.10

DRAWN

CHECK

APPROVE

SCALE

DATE

DATE

DATE

FREE

UNIT

MM REV. B

94/08/27

103/12/14