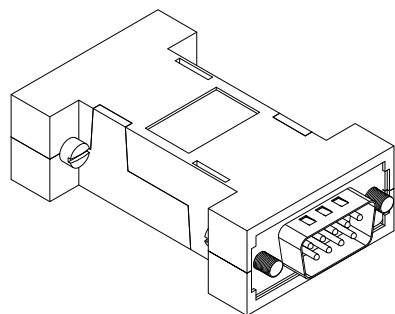
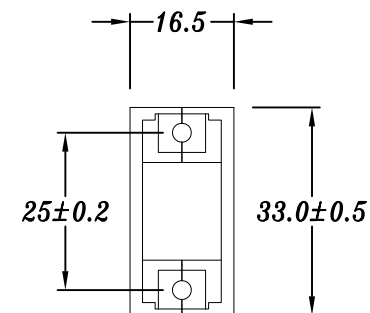
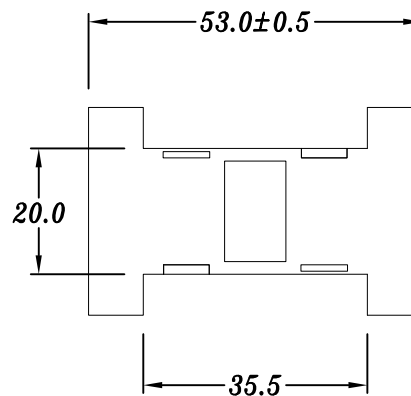
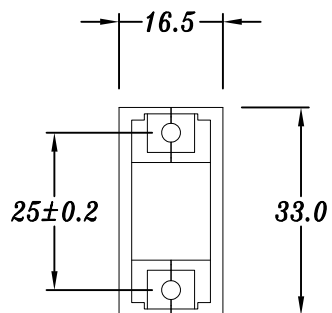
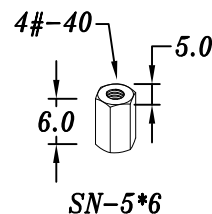
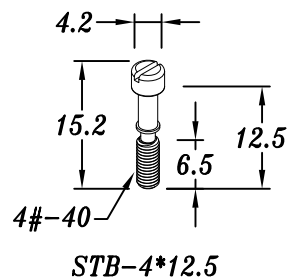


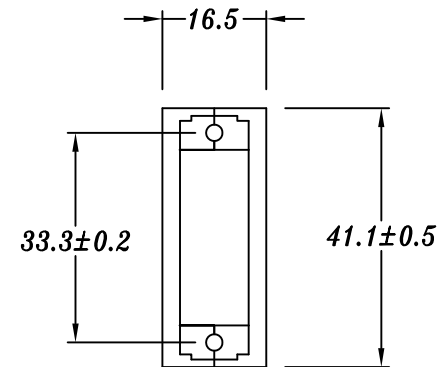
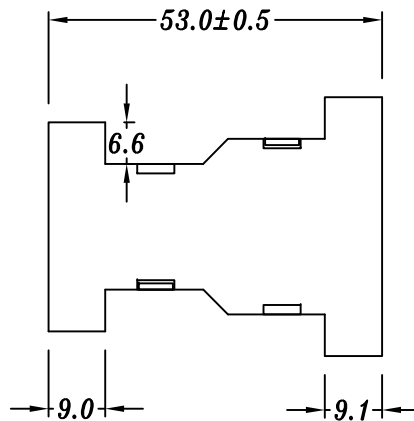
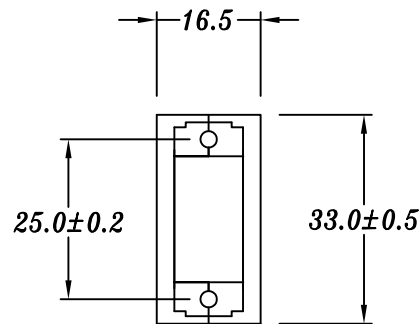
Female/Female



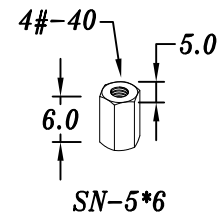
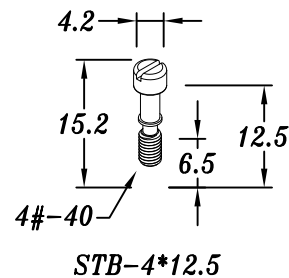
Male/Male

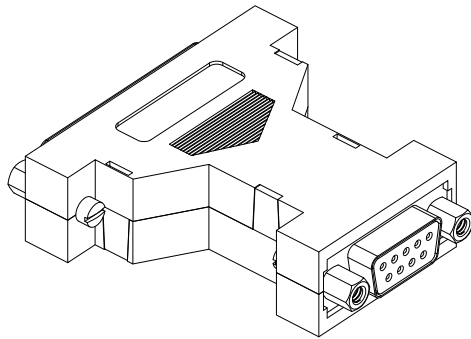


	STB-4*12.5	SN-5*6
Male/Male	4PCS	
Male/Female	4PCS	2PCS
Female/Female	4PCS	4PCS

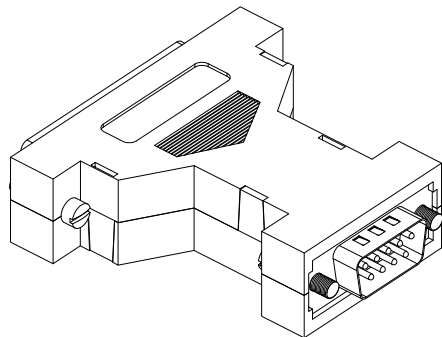
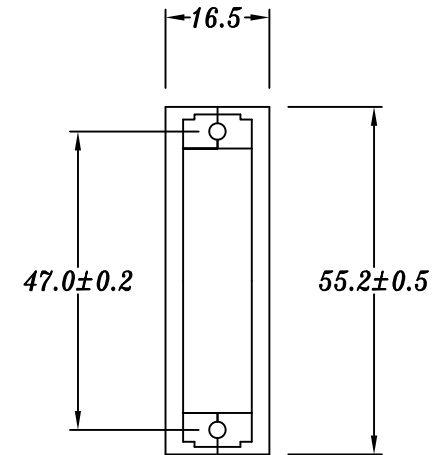
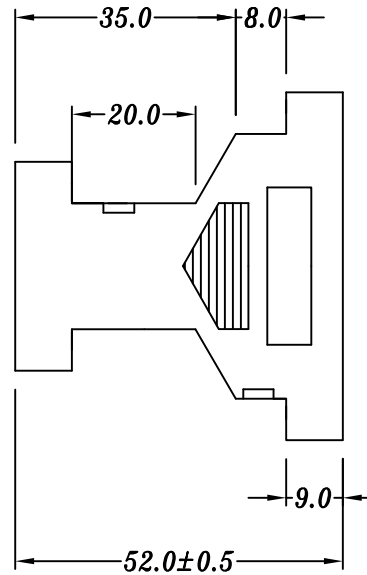
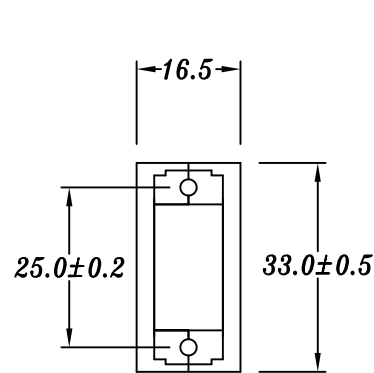


	STB-4*12.5	SN-5*6
Male/Male	4PCS	
Male/Female	4PCS	2PCS
Female/Female	4PCS	4PCS

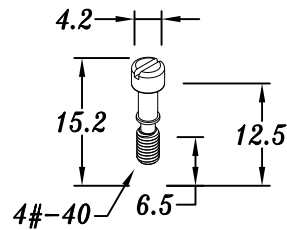




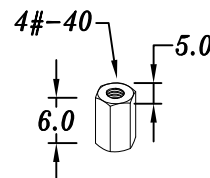
Female/Female



Male/Male

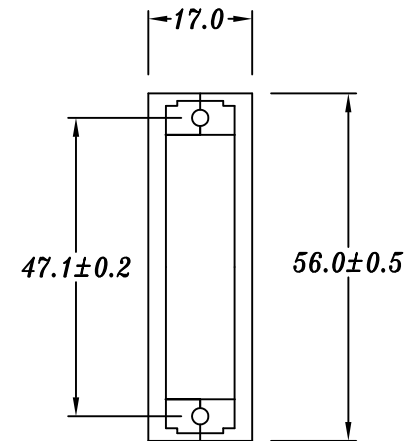
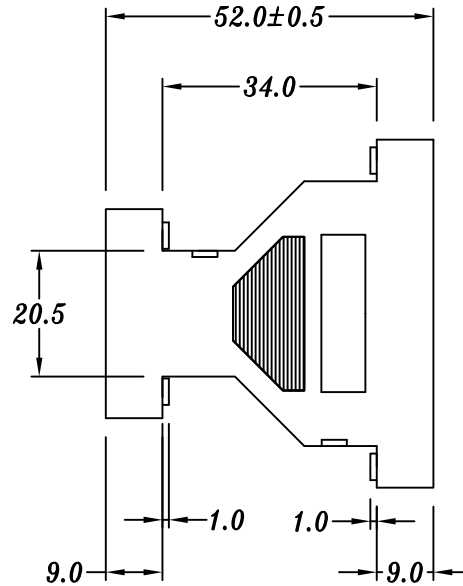
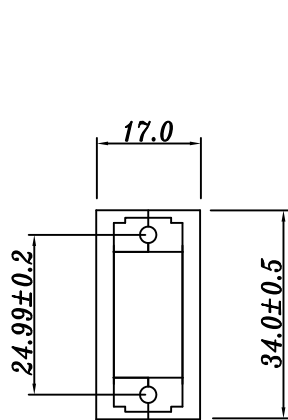


STB-4*12.5

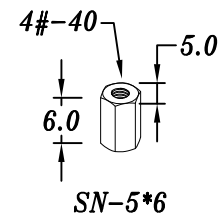
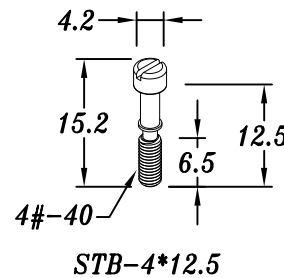


SN-5*6

	STB-4*12.5	SN-5*6
Male/Male	4PCS	
Male/Female	4PCS	2PCS
Female/Female	4PCS	4PCS

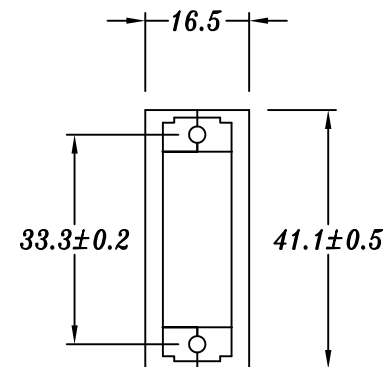
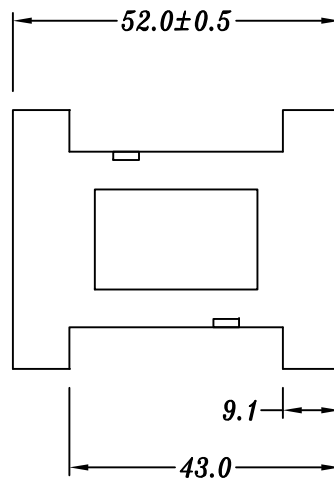
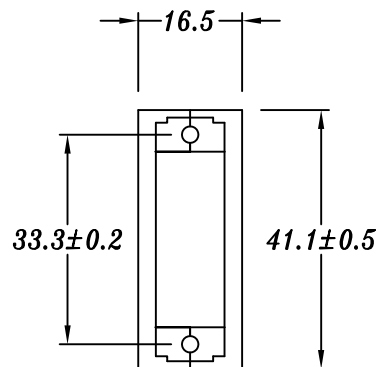


	STB-4*12.5	SN-5*6
Male/Male	4PCS	
Male/Female	4PCS	2PCS
Female/Female	4PCS	4PCS

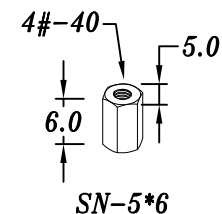
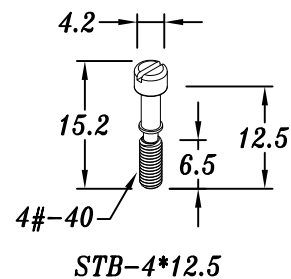


B=BLACK (黑色)
 G=GREY (灰色)
 P=BEIGE (貝吉色)
 C=METALIZED (電鍍)

NO.410, FU-TEH 1ST ROAD, SHIJR, TAIPEI COUNTY 221, TAIWAN, R.O.C. TEL: 886-2-26945824 FAX: 886-2-26946971	TITLE	D-SUB Hood Gender Changer	GENERAL TOLERANCE	DRAWN	DATE	87/01/12
	PARTS NO.	PH13-09-25G83PS	DIM: X. ±0.30 X.X ±0.20 X.XX±0.10	CHECK	DATE	102/11/25
	DWG, NO.			APPROVE	DATE	
				SCALE	FREE	UNIT



	STB-4*12.5	SN-5*6
Male/Male	4PCS	
Male/Female	4PCS	2PCS
Female/Female	4PCS	4PCS



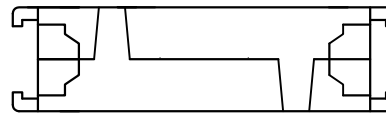
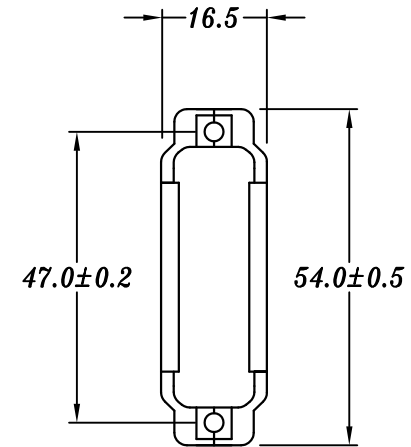
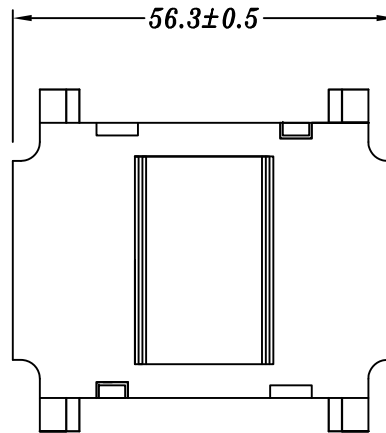
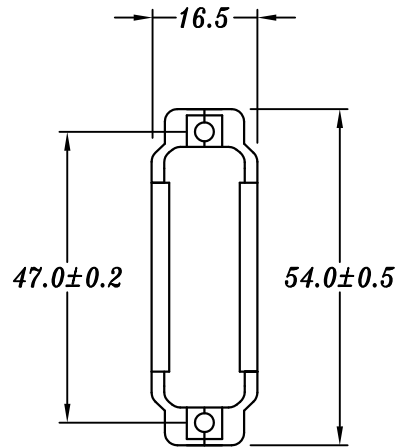
ENN.CORP Chang Enn Co., Ltd.

NO.410, FU-TEH 1ST ROAD,
SHIJR, TAIPEI COUNTY
221, TAIWAN, R.O.C.
TEL: 886-2-26945824
FAX: 886-2-26946971

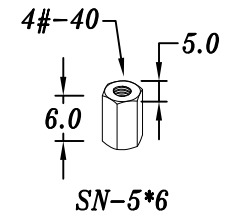
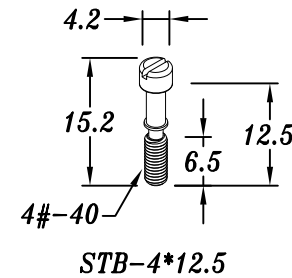
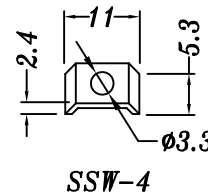
TITLE
D-SUB Hood
Gender Changer
PARTS NO.
PH13-15-15P
DWG, NO.

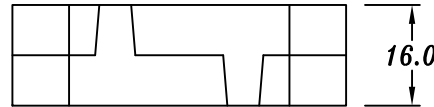
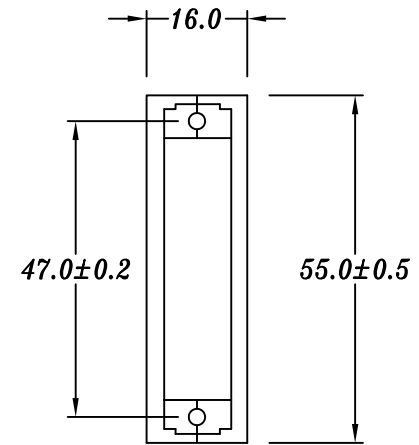
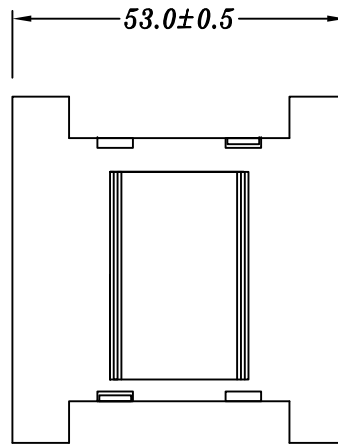
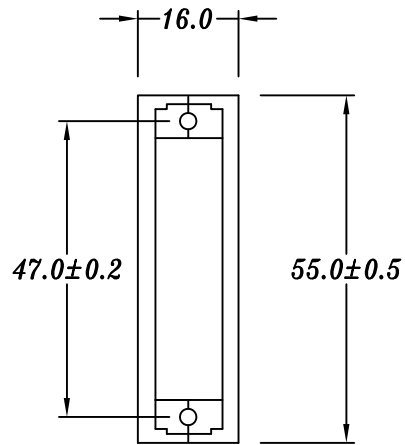
GENERAL TOLERANCE
DIM:
X. ±0.30
X.X ±0.20
X.XX±0.10

DRAWN		DATE	102/11/25
CHECK		DATE	
APPROVE		DATE	
SCALE	FREE	UNIT	MM
	REV.		B

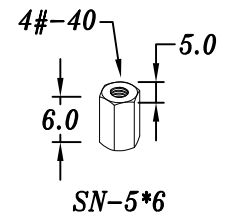
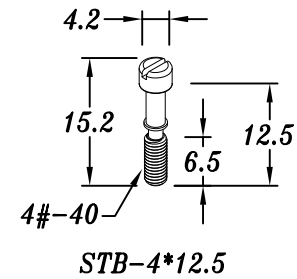


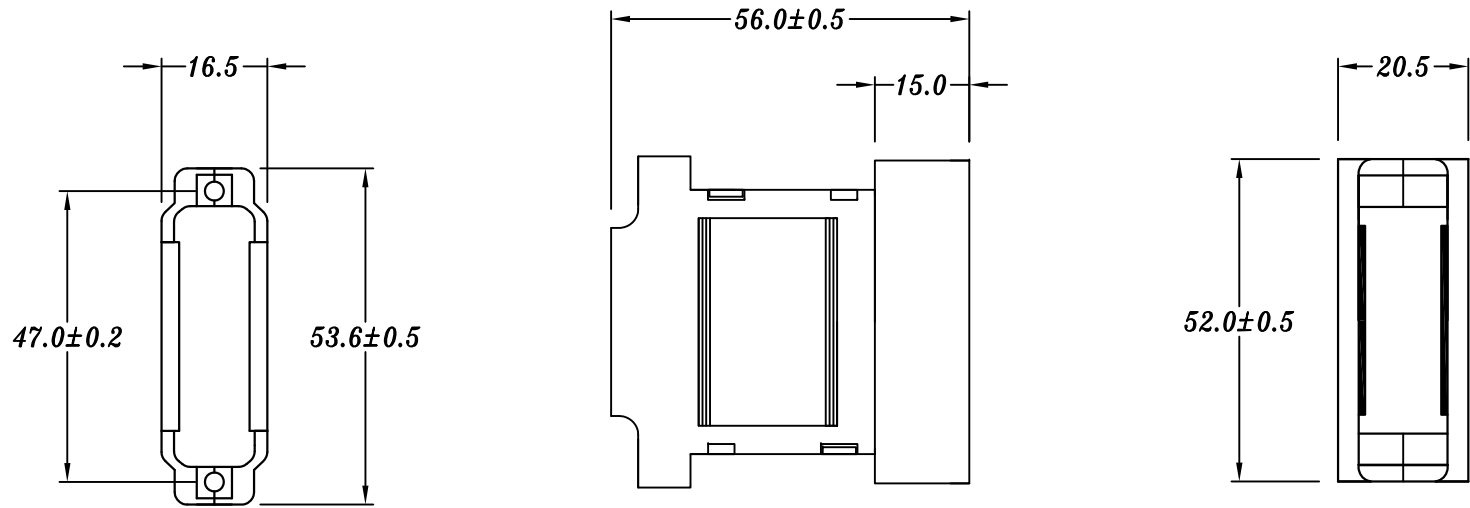
	STB-4*12.5	SN-5*6	SSW-4
Male/Male	4PCS		4PCS
Male/Female	4PCS	2PCS	4PCS
Female/Female	4PCS	4PCS	4PCS



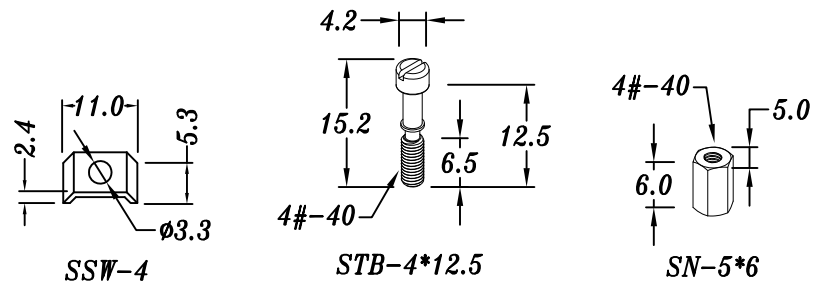


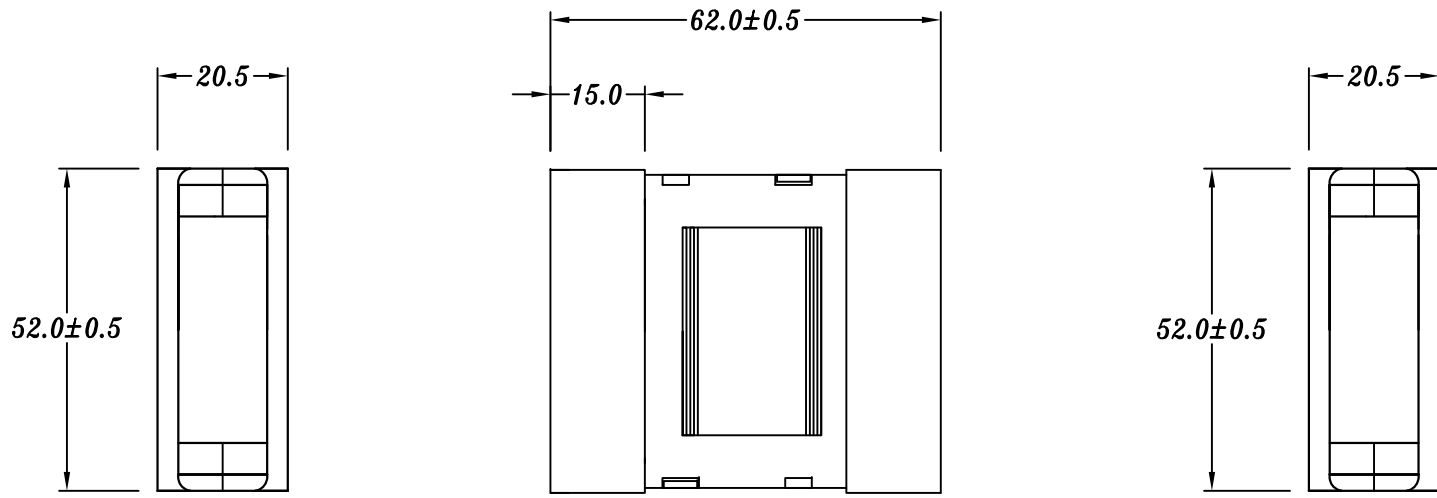
	STB-4*12.5	SN-5*6
Male/Male	4PCS	
Male/Female	4PCS	2PCS
Female/Female	4PCS	4PCS





	STB-4*12.5	SN-5*6	SSW-4
Male	2PCS		2PCS
Female	2PCS	2PCS	2PCS





ENN.CORP Chang Enn Co., Ltd.

NO.410, FU-TEH 1ST ROAD,
SHIJR, TAIPEI COUNTY
221, TAIWAN, R.O.C.

TEL: 886-2-26945824

FAX: 886-2-26946971

TITLE	D-SUB Hood Gender Changer
PARTS NO.	PH13-36-36P
DWG, NO.	

GENERAL TOLERANCE	
DIM:	
X. ±0.30	
X.X ±0.20	
X.XX ±0.10	

DRAWN		DATE	102/11/25
CHECK		DATE	103/03/27
APPROVE		DATE	
SCALE	FREE	UNIT	MM REV. A