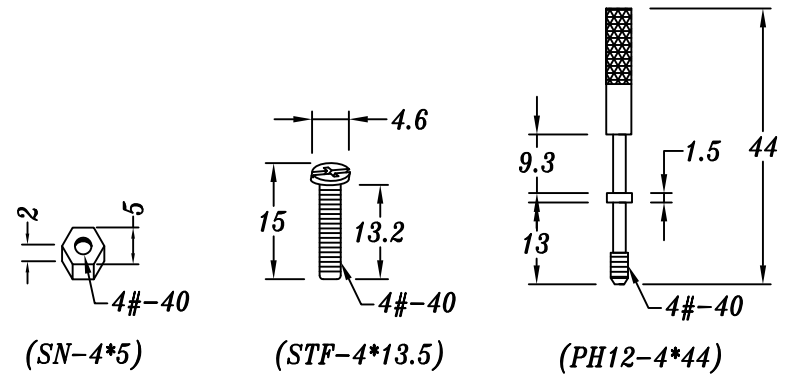
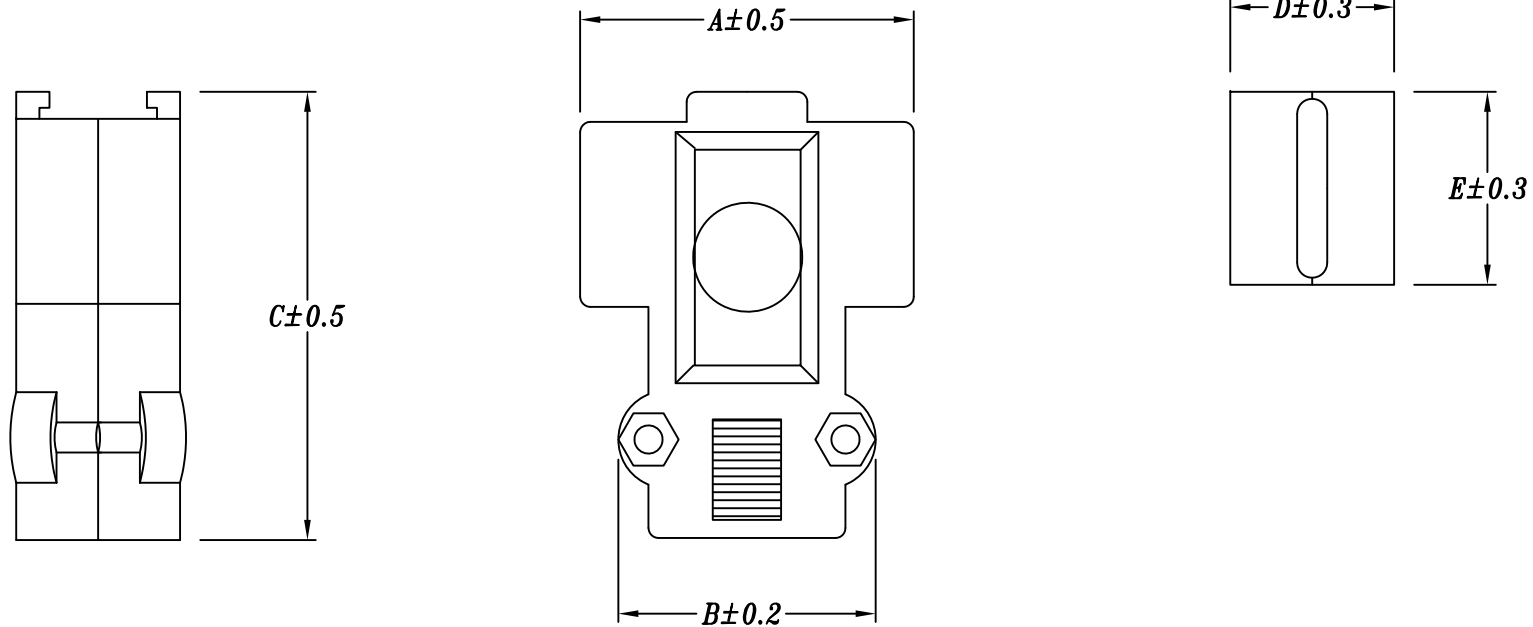
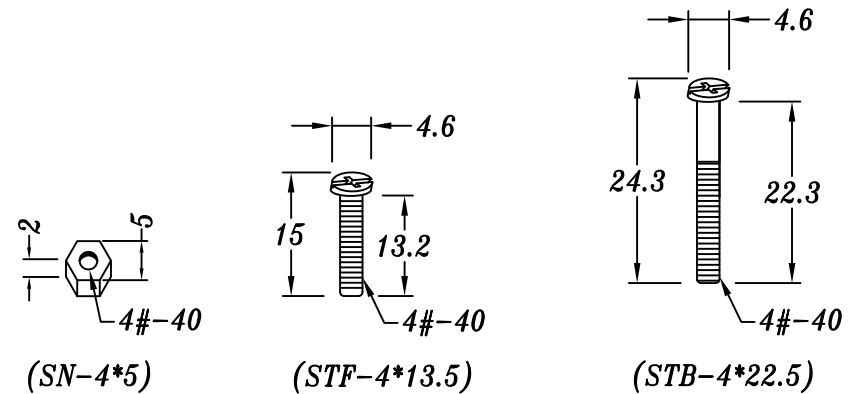


	A	B	C	D	E	SN-4*5	STF-4*13.5	PH12-4*44
09P	33.3	25.0	44.8	16.3	19.3	2PCS	2PCS	2PCS
15P	41.0	33.3	44.8	16.5	27.8	2PCS	2PCS	2PCS
25P	55.0	47.0	44.9	16.5	41.5	2PCS	2PCS	2PCS
37P	71.6	63.5	44.9	16.5	57.9	2PCS	2PCS	2PCS





	A	B	C	D	E	SN-4*5	STF-4*13.5	STB-4*22.5
09P	33.3	25.0	44.8	16.3	19.3	2PCS	2PCS	2PCS
15P	41.0	33.3	44.8	16.5	27.8	2PCS	2PCS	2PCS
25P	55.0	47.0	44.9	16.5	41.5	2PCS	2PCS	2PCS
37P	71.6	63.5	44.9	16.5	57.9	2PCS	2PCS	2PCS



**Enn.CORP** Chang Enn Co., Ltd.

NO.410, FU-TEH 1ST ROAD,  
SHIJR, TAIPEI COUNTY  
221, TAIWAN, R.O.C.

TEL: 886-2-26945824

FAX: 886-2-26946971

**TITLE**

D-SUB Flat Cable Hood  
(Lock Up Type)  
Short Screw

**PARTS NO.**

PH12-09~37S

**DWG. NO.**

**GENERAL TOLERANCE**

DIM:  
X. ±0.30  
X.X ±0.20  
X.XX±0.10

**DRAWN**

**CHECK**

**APPROVE**

**SCALE**

**DATE**

**DATE**

**DATE**

**UNIT**

96/05/10

102/11/15

MM REV. B