

	A	B	C	D	E	F		STF-4*12.5	SN-4*5	STB-4*12.5	SSW-4	STF-4*7	SG-D09-1	SG-D15-1	SG-D25-1
09P	30.5	20.5	16.0	25.0	40.0	9.0	09P	2PCS	2PCS	2PCS	2PCS	2PCS	2PCS		
15P	40.0	27.5	16.2	33.5	39.5	9.0	15P	2PCS	2PCS	2PCS	2PCS	2PCS		2PCS	
25P	55.5	40.5	16.0	46.5	50.0	11.0	25P	2PCS	2PCS	2PCS	2PCS	2PCS			2PCS



NO.410, FU-TEH 1ST ROAD,  
SHIJR, TAIPEI COUNTY  
221, TAIWAN, R.O.C.

TEL: 886-2-26945824

FAX: 886-2-26946971

TITLE

D-SUB Hood 25Pin  
(OD=45°)Short Screw

PARTS NO.

PH03-09~25S

DWG, NO.

GENERAL  
TOLERANCE

DIM:

X. ±0.30  
X.X ±0.20  
X.XX±0.10

DRAWN

CHECK

APPROVE

SCALE

DATE

DATE

DATE

FREE

UNIT

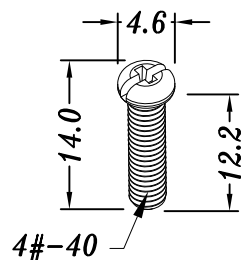
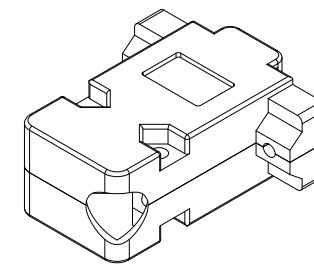
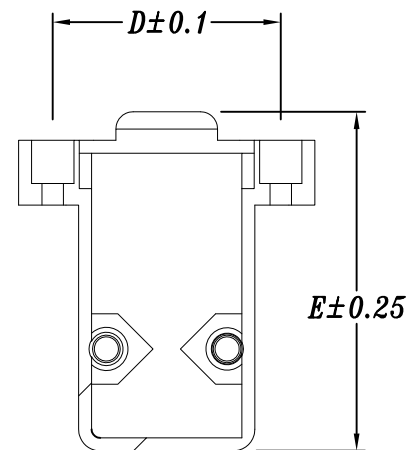
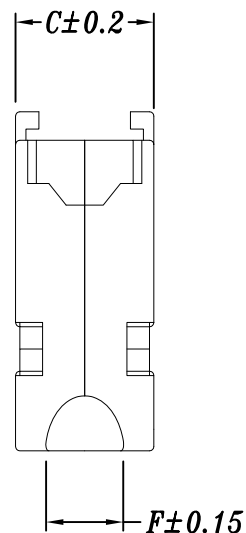
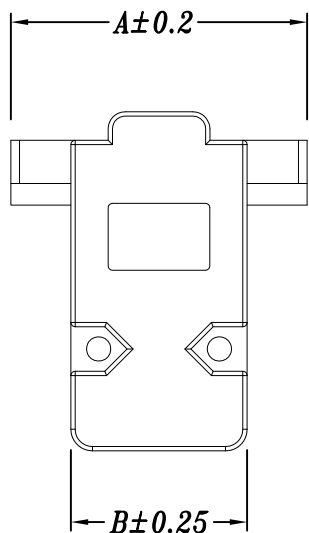
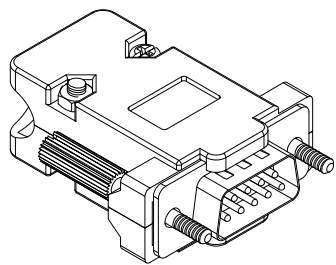
MM

REV.

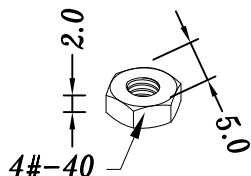
D

93/12/01

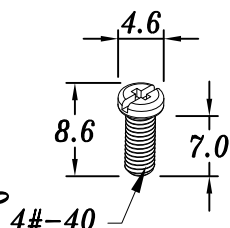
103/05/02



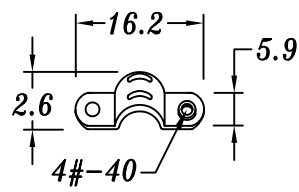
(STF-4\*12.5)\*2



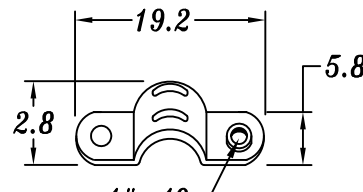
(SN-4\*5)\*2



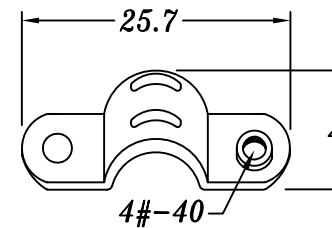
(STF-4\*7)\*2



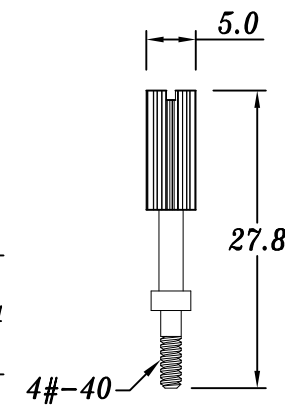
(SG-D09-1)\*2



(SG-D15-1)\*2



(SG-D25-1)\*2



(STL-5\*27.8)\*2

	A	B	C	D	E	F
09P	30.5	20.5	16.0	25.0	40.0	9.0
15P	40.0	27.5	16.2	33.5	39.5	9.0
25P	55.5	40.5	16.0	46.5	50.0	11.0

	STF-4*12.5	SN-4*5	STF-4*7	SG-D09-1	SG-D15-1	SG-D25-1
09P	2PCS	2PCS	2PCS	2PCS		
15P	2PCS	2PCS	2PCS		2PCS	
25P	2PCS	2PCS	2PCS			2PCS



NO.410, FU-TEH 1ST ROAD,  
SHIJR, TAIPEI COUNTY  
221, TAIWAN, R.O.C.

TEL: 886-2-26945824

FAX: 886-2-26946971

TITLE

D-SUB Hood 25Pin  
(OD=45°)Long Screw

PARTS NO.

PH03-09~25L

DWG, NO.

GENERAL  
TOLERANCE

DIM:  
X. ±0.30  
X.X ±0.20  
X.XX±0.10

DRAWN

CHECK

APPROVE

SCALE

DATE

DATE

DATE

UNIT

93/12/01

103/05/02

MM REV. D