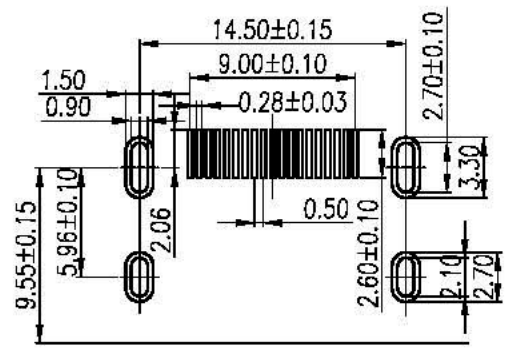
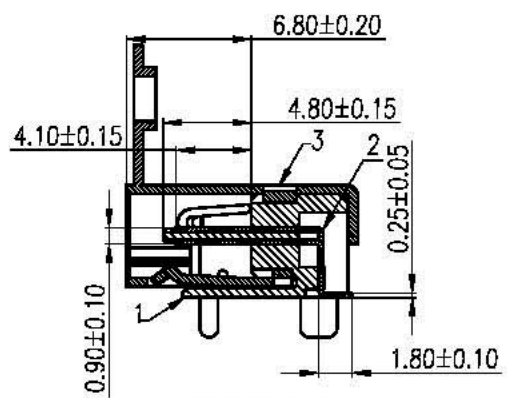
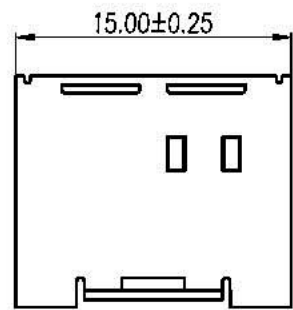
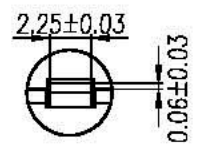
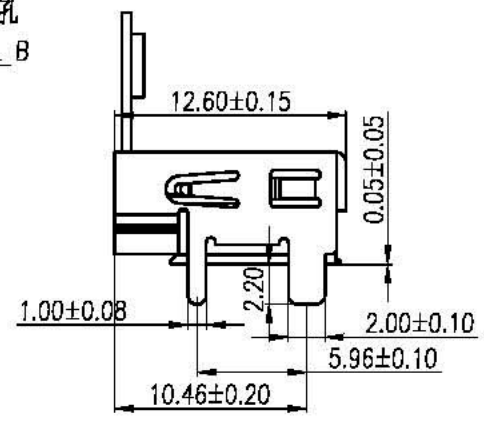
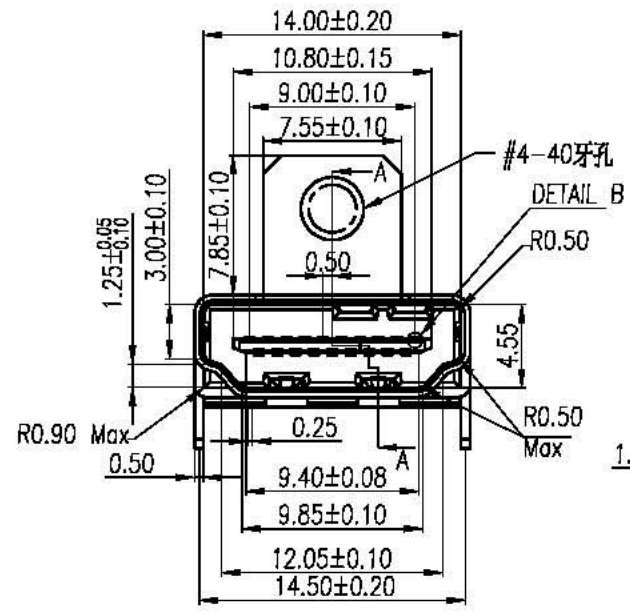


| REV. | ECN NO | LOCATIONS | DESCRIPTION | DATE | REVISER | APPD |
|------|--------|-----------|-------------|------|---------|------|
|      |        |           |             |      |         |      |



RECOMMENDED PCB LAYOUT  
 GENERAL TOLERANCE ±0.05  
 T=1.6±0.15



DETAIL B  
 SCALE 5:1

Note:

1.Material:

- 1.1 Insulator: LCP UL94V-0 color:back.
- 1.2 Contact: Phosphor bronze T=0.25mm.
- 1.3 Shell: Brass,t=0.50mm.

2.Specification:

- 2.1 Current rating: 0.5 A Max.
- 2.2 Voltage rating:40V AC(rms) Max.
- 2.3 Contact resistance: 50 milliohms Max.
- 2.4 Dielectric withstanding voltage:100V(ac) for 1 min.
- 2.5 Insulation resistance: 1000 MΩ Min.
- 2.6 Operation temperature range:-25°C~+85°C

|                       |               |                     |                               |         |  |
|-----------------------|---------------|---------------------|-------------------------------|---------|--|
| PART NO:              | MATERIAL:     | CHANG ENN CO., LTD. |                               |         |  |
| MODEL NO:             | FINSH:        |                     |                               |         |  |
| UNIT: mm              | SIZE: A4      | COLOR:              | PART NAME: HDMI-19S SMT 鐵殼帶牙孔 |         |  |
| TOLERANCE UNSPECIFIED | DR: 06/04/28  | CHK: 06/04/28       | DWG NO: PND32-06              | REV: AO |  |
| .x ±0.3               | APP: 06/04/28 | SCALE: 2.5:1        | SHEET: 1 of 2                 |         |  |
| .xx ±0.20             |               |                     |                               |         |  |
| .xxx ±0.100           |               |                     |                               |         |  |
| ANG. ±1°              |               |                     |                               |         |  |