

NOTES:

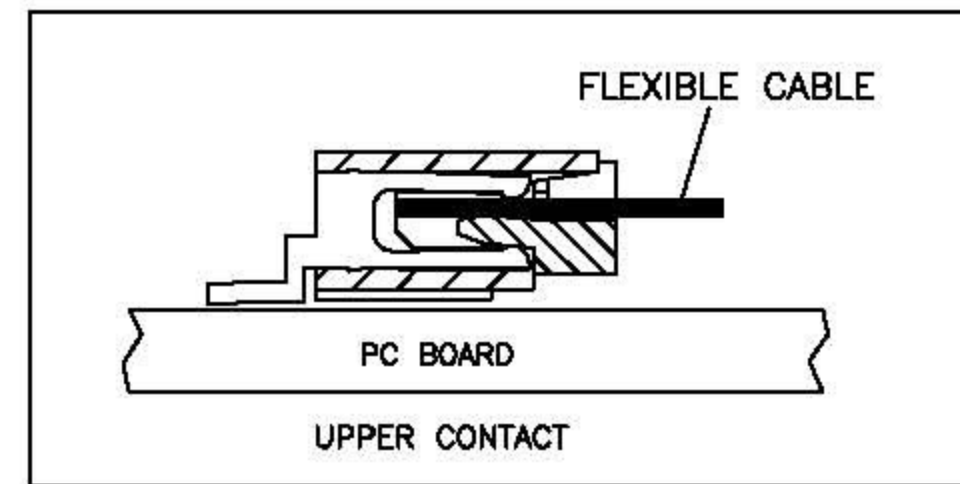
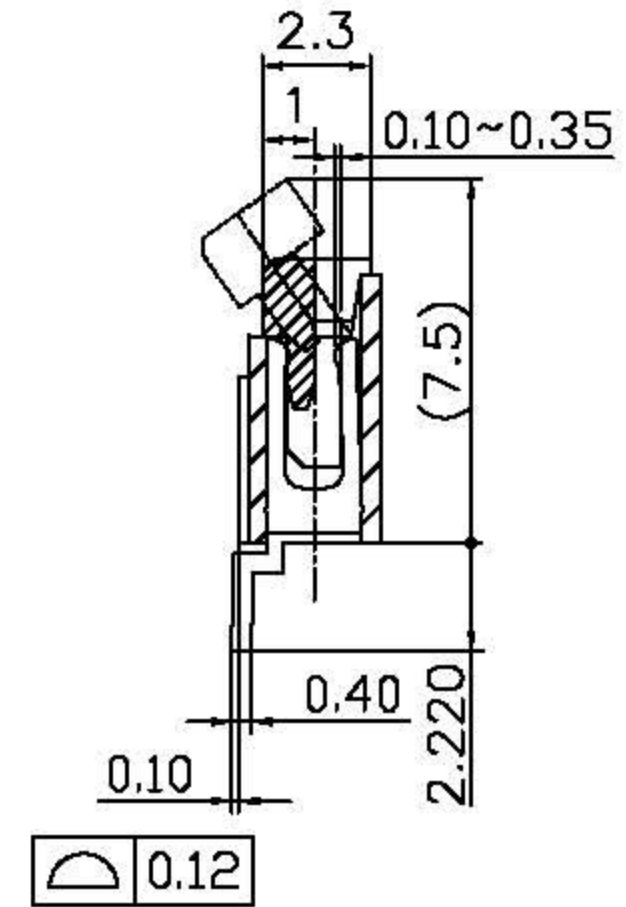
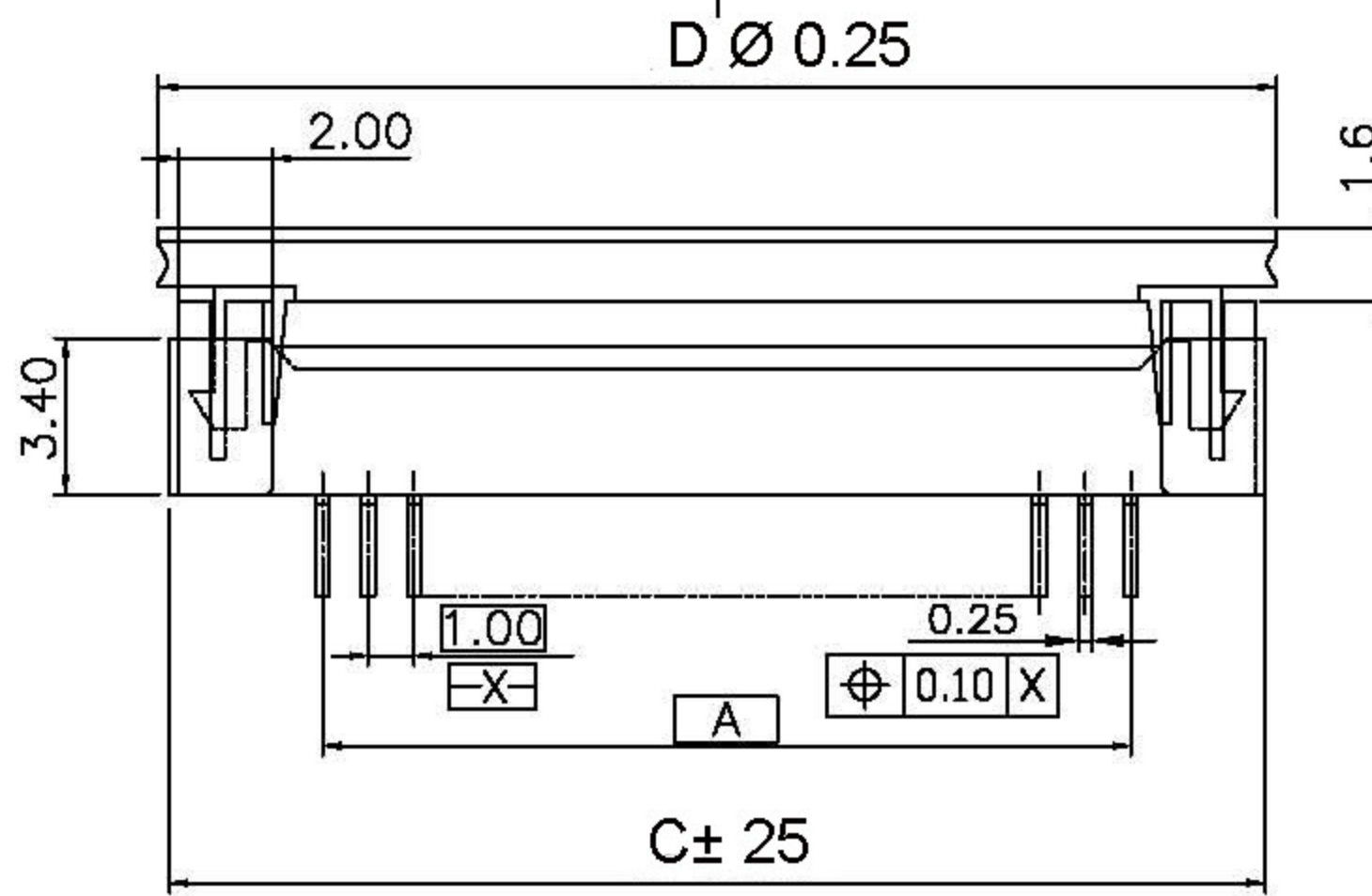
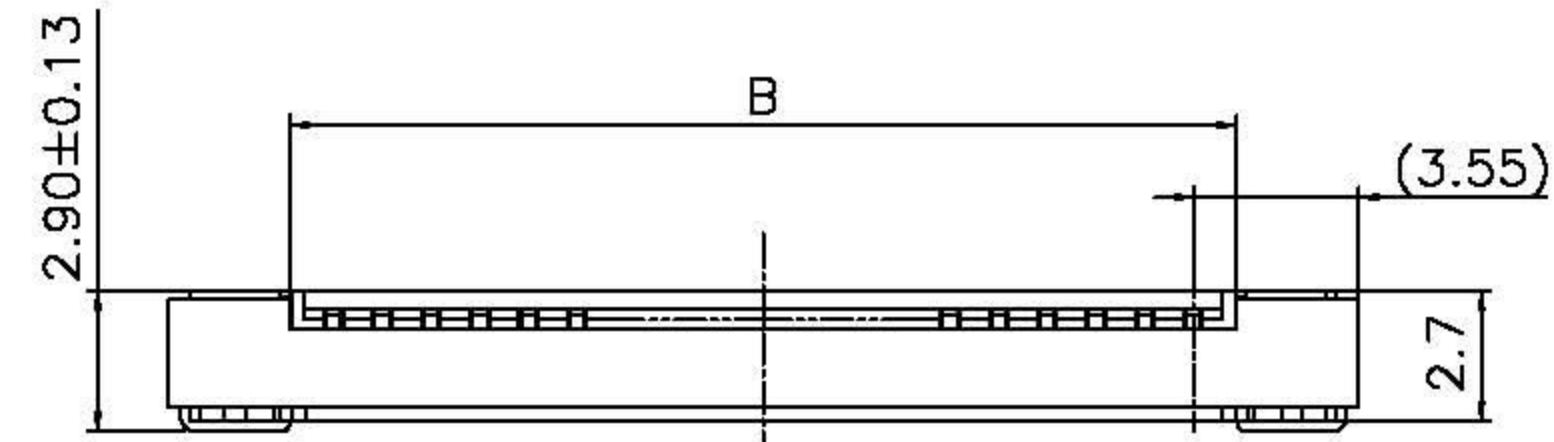
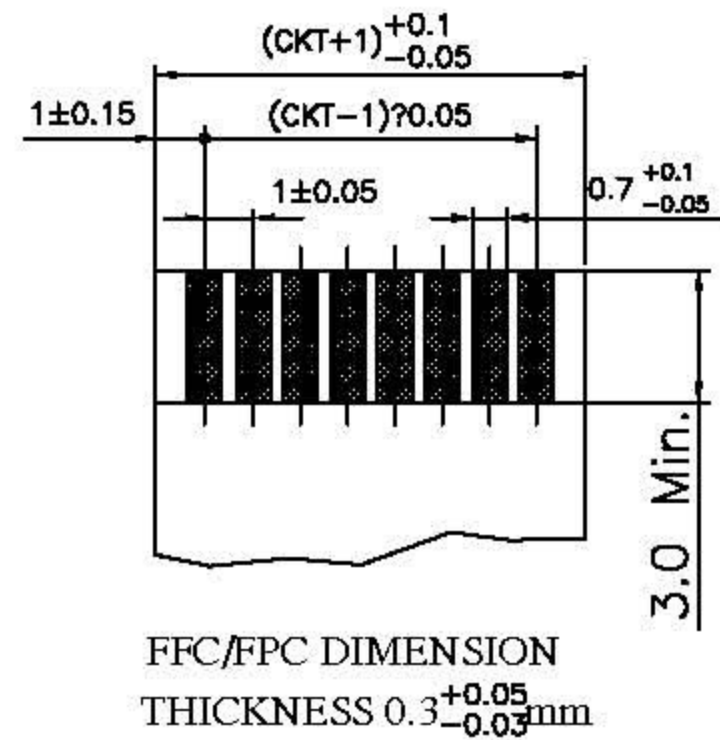
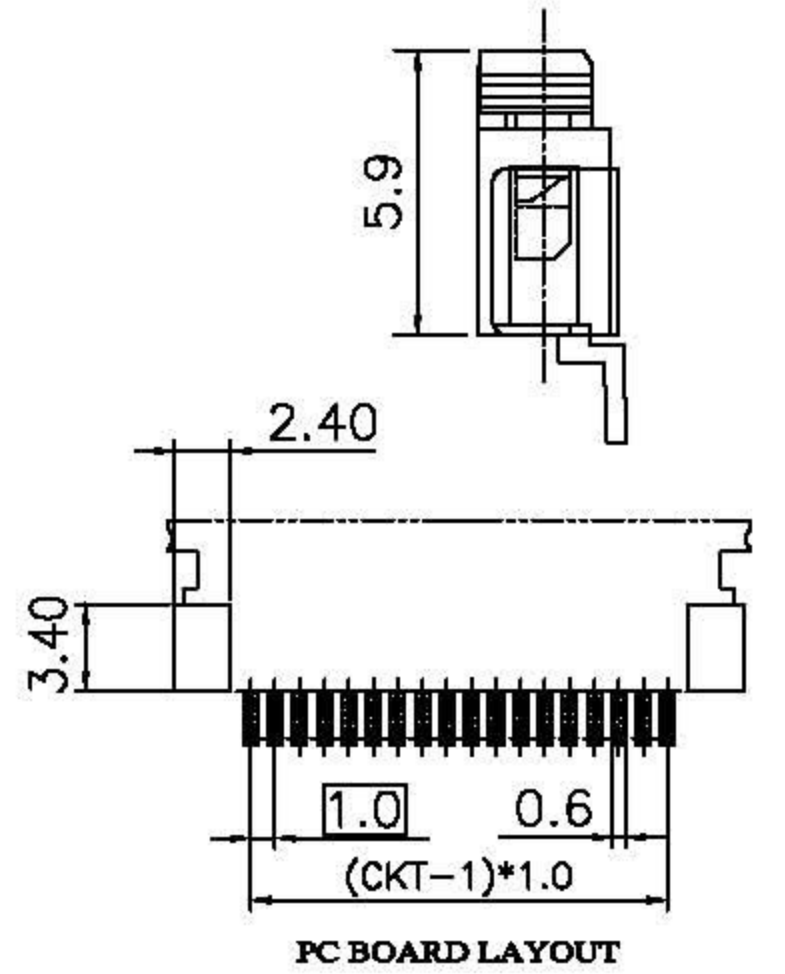
- MATERIALS: HOUSING-LCP , COVER -PPA
TERMINAL-PHOSPHOR BRONZE, LATCH -PHOSPHOR BRONZE.
- CAMBER: 0.05mm/cm MAX, DEFORMATION: NA,
WARP: 0.05mm/cm MAX, TWIST: NA.
- P/N:

5433 XX X X

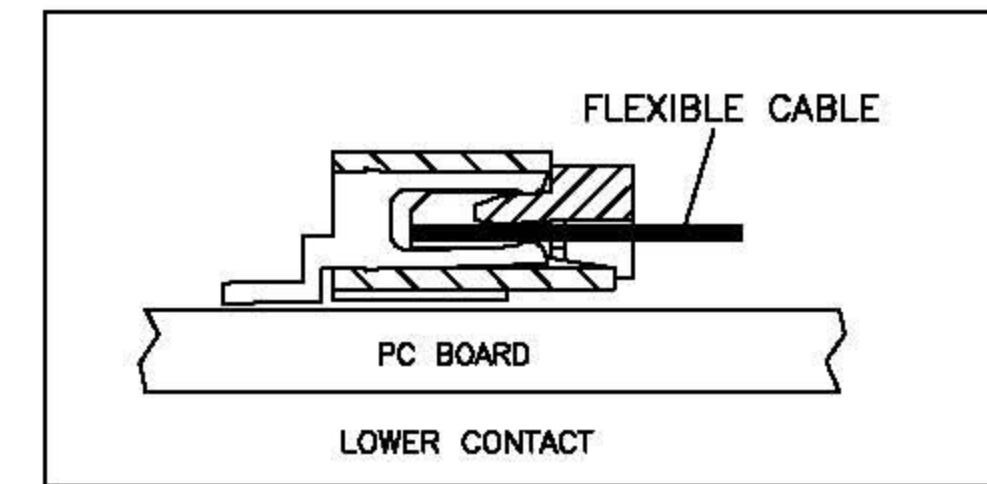
No of contacts
3~32

T: Tin Plating R: Tape & Real Packing
T: Tube Packing



32	31.00	33.20	37.50	38.10
31	30.00	32.20	36.50	37.10
30	29.00	31.20	35.50	36.10
29	28.00	30.20	34.50	35.10
28	27.00	29.20	33.50	34.10
27	26.00	28.20	32.50	33.10
26	25.00	27.20	31.50	32.10
25	24.00	26.20	30.50	31.10
24	23.00	25.20	29.50	30.10
23	22.00	24.20	28.50	29.10
22	21.00	23.20	27.50	28.10
21	20.00	22.20	26.50	27.10
20	19.00	21.20	25.50	26.10
19	18.00	20.20	24.50	25.10
18	17.00	19.20	23.50	24.10
17	16.00	18.20	22.50	23.10
16	15.00	17.20	21.50	22.10
15	14.00	16.20	20.50	21.10
14	13.00	15.20	19.50	20.10
13	12.00	14.20	18.50	19.10
12	11.00	13.20	17.50	18.10
11	10.00	12.20	16.50	17.10
10	9.00	11.20	15.50	16.10
09	8.00	10.20	14.50	15.10
08	7.00	9.20	13.50	14.10
07	6.00	8.20	12.50	13.10
06	5.00	7.20	11.50	12.10
05	4.00	6.20	10.50	11.10
04	3.00	5.20	9.50	10.10
03	2.00	4.20	8.50	9.10
CKT	DIM. A	DIM. B	DIM. C	DIM. D



5433 XX X X



5434 XX X X

A RELEASE		04/12/02'			UNIT: mm	 易昕企業有限公司 LEAMAX ENTERPRISE CO., LTD
REV		Revision Record	Date	General Tolerances	Dim: 0.0 ±0.25 Angle: ±3° 0.00 ±0.20 0.000 ±0.10	
Revise Only On Cad System		Appr'd by James 2011/9/1		Scale	3 : 1	DWG. NO. 5433(1.0mm) REV: A
						Title: ZIF for FFC/FPC upper contact