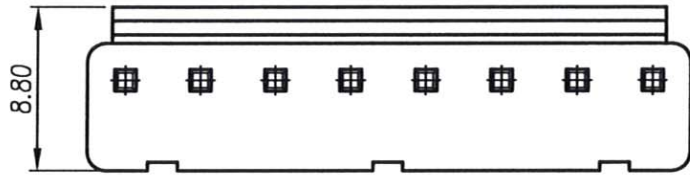


A5



PIN	DIM.A	DIM.B	PIN	DIM.A	DIM.B
02	3.96	7.92	09	31.68	35.86
03	7.92	11.92	10	35.64	39.90
04	11.88	15.84	11	39.60	43.84
05	15.84	19.84	12	43.56	47.92
06	19.80	23.80	13	47.52	51.72
07	23.76	27.88	14	51.48	55.92
08	27.72	31.74			

REV	MODIFICATION	DATE	DRAW
A4	Modify Outline	13-01-09	Abel
A5	Release To ECN20130208	27-02-13	Seven
B0	Release To ECN20150108	22-01-15	Michelle

RoHS Compliant

Specification

- 1.Current Rating:7A
- 2.Voltage Rating:250V AC/DC
- 3.Contact Resistance:10mΩ Max.
- 4.Insulation Resistance:1000MΩ Min. At DC 500V
- 5.Dielectric Withstanding Voltage:AC1500V/Minute
- 6.Operating Temperature:-25℃~+85℃

Material:

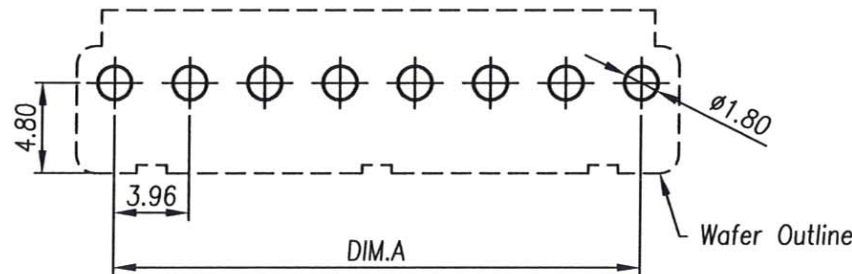
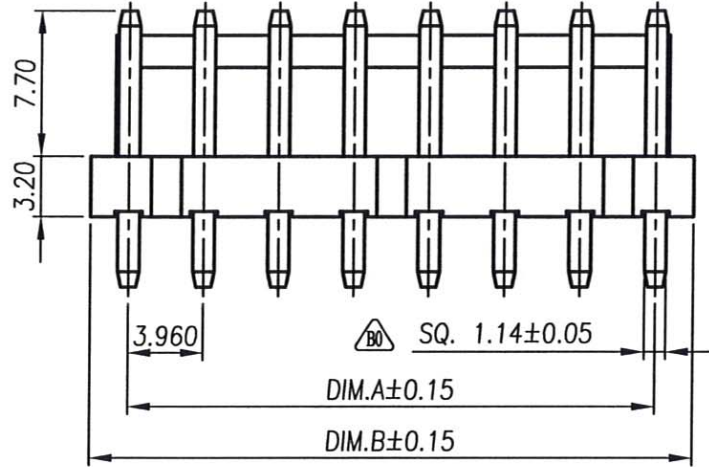
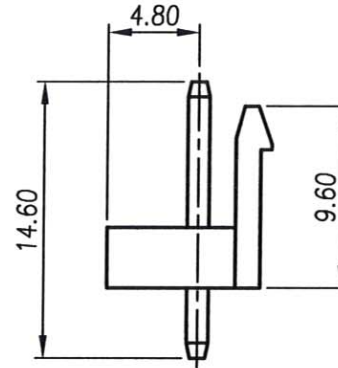
- 1.Housing:Thermoplastic UL94V-0
- 2.Contact Pin:Copper Alloy SQ. Pin 1.14mm

Finish:

- 1.Housing:NY66 UL94V-0 Natural
- 2.Contact Pin:Bright Tin Plated Over Ni

Part No.: **4333-VxxSE**

Number Of Pin
02~14



RECOMMENDED P.C.B LAYOUT

TOLERANCE UNLESS OTHERWISE SPECIFIED		PROJ.	TITLE:
.X± 0.35	X. °± 2°	APP Chen 15-09-17	Wire To Board Wafer 3.96mm 180° DIP Single Row
.XX± 0.25	.X°± 1°	CHK Huang 01-09-17	DWG NO. 4333-VS1
.XXX± 0.15	.XX°± 0.5°	DRA Michelle 22-01-15	UNITS: mm PN: 4333-VxxSE
		SIZE: A4	SCALE 2.5:1 SHEET 1 / 1 REV B0 V



易昕企業有限公司
LEAMAX ENTERPRISE CO.,LTD.