

REV	DESCRIPTION	DATE	NAME
A0	Release To Production	2011.08.04	IVY

Specification

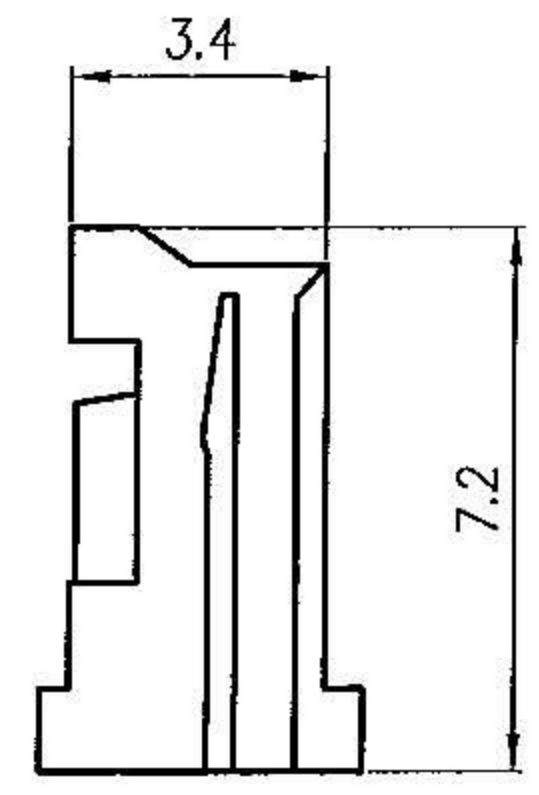
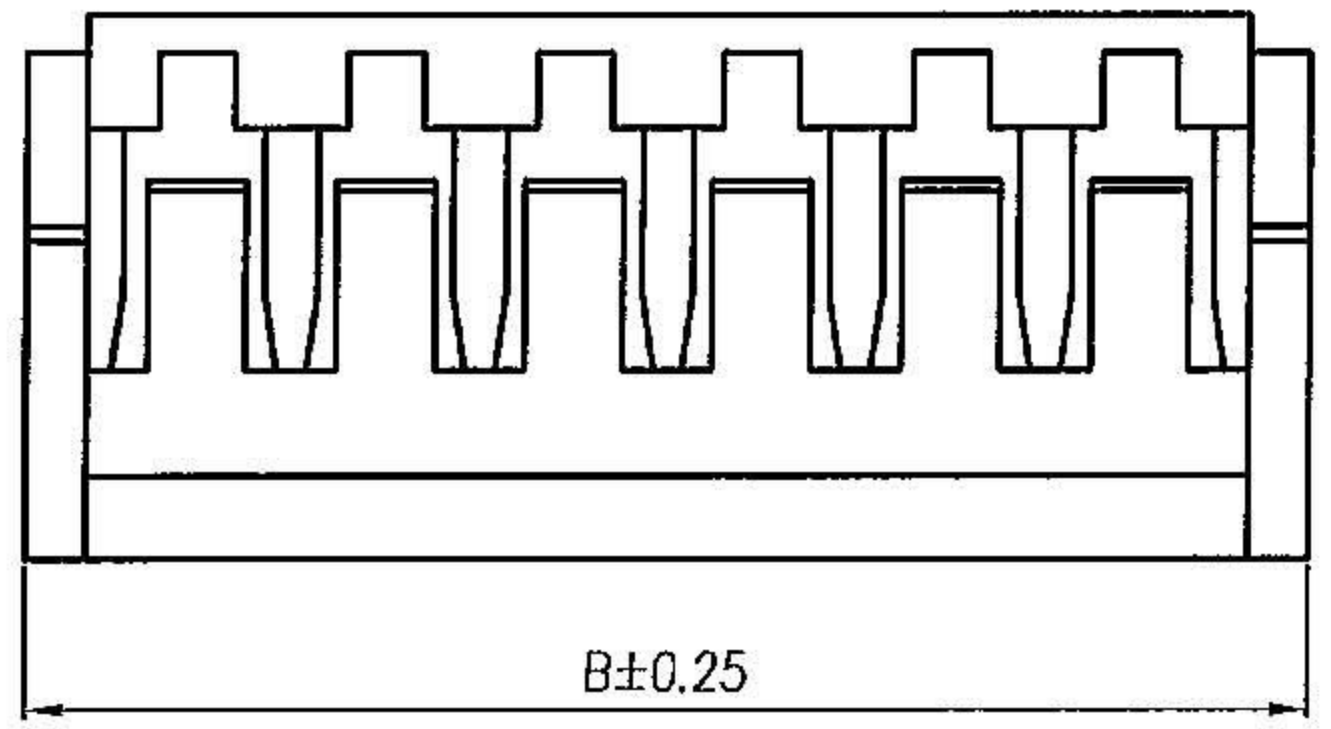
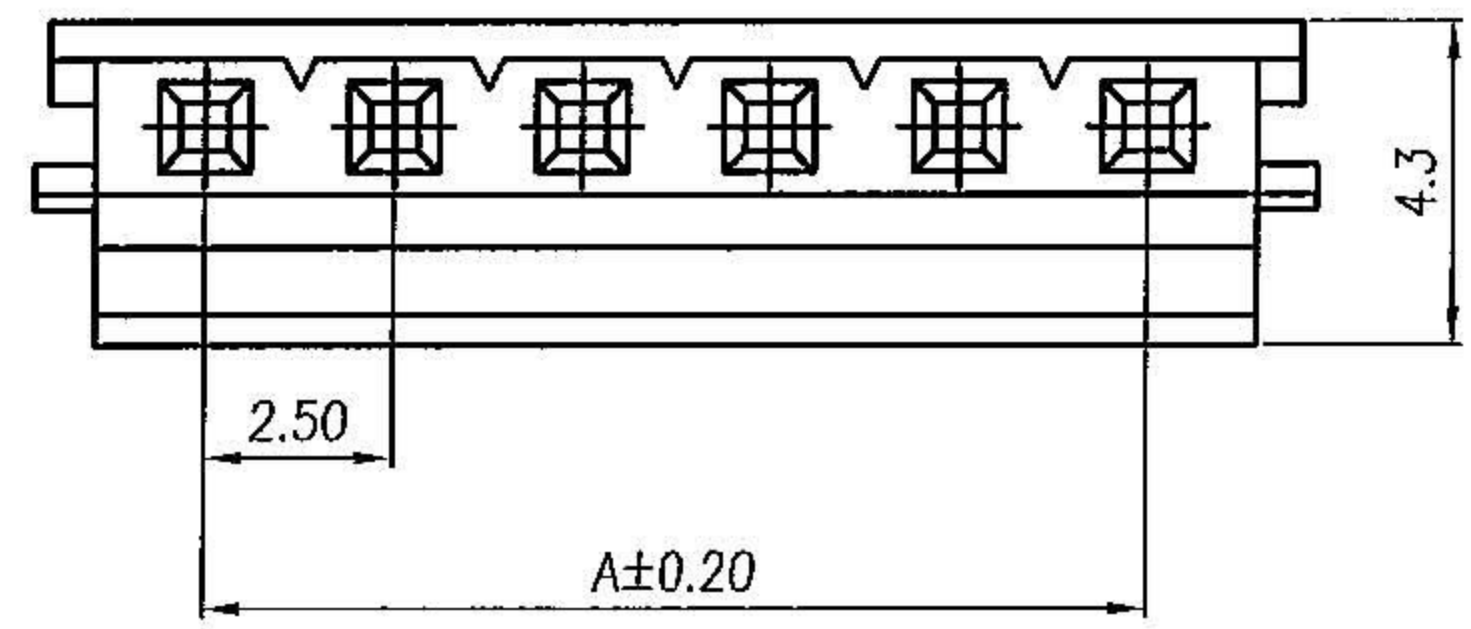
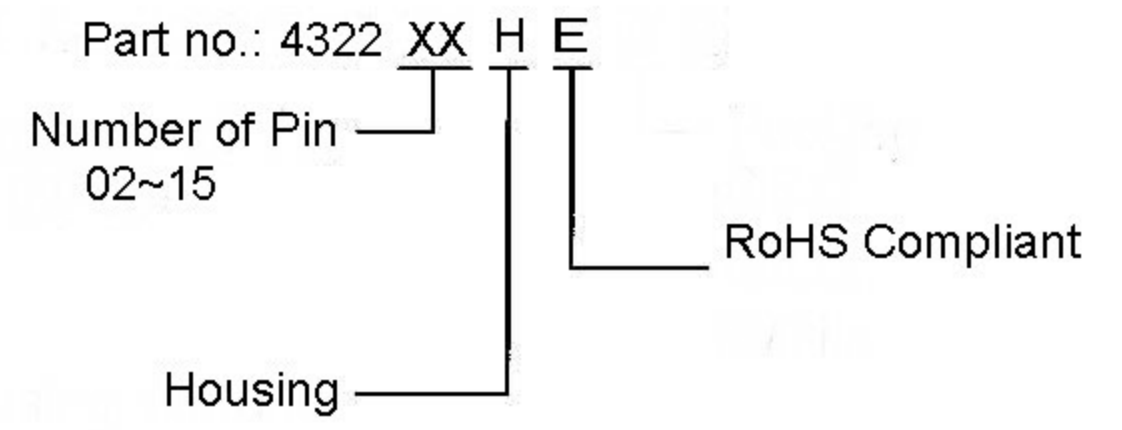
- 1.Current Rating:3A AC/DC
- 2.Voltage Rating:250V AC/DC
- 3.Contact Resistance:10mΩ Maximum
- 4.Insulation Resistance:1000MΩ Minimum
- 5.Dielectric Withstanding Voltage:AC 800V/Minute
- 6.Operating Temperature:-25°C~+85°C

Material:

1.Housing:Temperature Themolplastic UL94V-0

Finish:

1.Housing:White



PIN	Dimension		PIN	Dimension	
	A	B		A	B
02	2.50	7.00	09	20.00	24.50
03	5.00	9.50	10	22.50	27.00
04	7.50	12.00	11	25.00	29.50
05	10.00	14.50	12	27.50	32.00
06	12.50	17.00	13	30.00	34.50
07	15.00	19.50	14	32.50	37.00
08	17.50	22.00	15	35.00	39.50

RoHS Compliant

TOLERANCE	NAME	DATE
X. ±0.35	ivy	2011.08.04
X.X ±0.25	Seven	2011.08.04
X.XX ±0.15	James	2011.08.18
X.XXX ±0.05		
ANGULA ±3°		

 易昕企業有限公司  
 LEAMAX ENTERPRISE CO., LTD  
 TITLE/品名: Wire To Board Housing 2.50mm  
 PART NO. 料號 4322xxHE  
 1/1

UNLESS OTHERWISE SPECIFIED  
 UNITS: mm SCALE: Free SIZE: A4