

**RoHS Compliant**

REV	MODIFICATION	DATE	DRAW
A0	Release To Production	08-03-12	Ivy
A1	Release To ECN20150202	04-02-15	Michelle

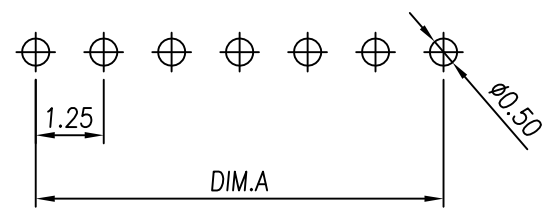
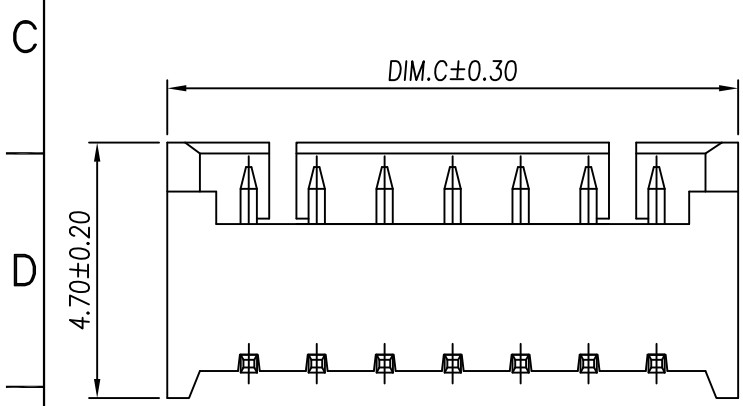
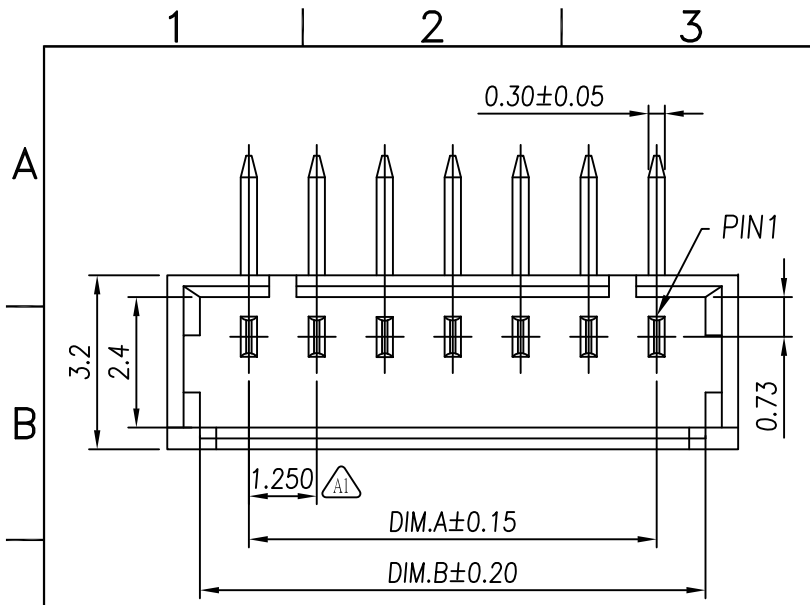
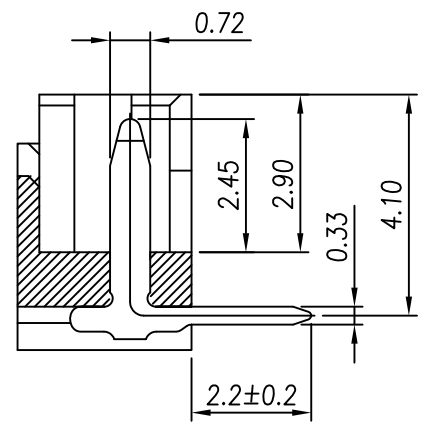
Specification  
 1.Current Rating:1A  
 2.Voltage Rating:125V AC  
 3.Contact Resistance:20mΩ Max.(Initial) 40mΩ Max.(Final)  
 4.Insulation Resistance:100MΩ Min. At 500V  
 5.Dielectric Withstanding Voltage:AC250V/Minute  
 6.Operating Temperature:-25°C~+85°C

Material:  
 1.Housing:High Temperature Thermoplastic UL94V-0  
 2.Contact Pin:Copper Alloy T=0.30mm

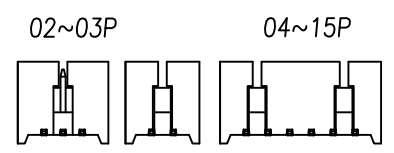
Finish:  
 1.Housing:HTN UL94V-0 Nature H.F  
 2.Contact Pin:Matte Tin Plated Over Nickel  
 3.Plating:Matte Tin Plated

Part No.:4 3 1 8 - D x x R B H  
 No. Of Pin: 02~15  
 Packing: B:Tray (In Box)

PIN	DIM.A	DIM.B	DIM.C	PIN	DIM.A	DIM.B	DIM.C
02	1.25	3.05	4.25	09	10.00	11.80	13.00
03	2.50	4.30	5.50	10	11.25	13.05	14.25
04	3.75	5.55	6.75	11	12.50	14.30	15.50
05	5.00	6.80	8.00	12	13.75	15.55	16.75
06	6.25	8.05	9.25	13	15.00	16.80	18.00
07	7.50	9.30	10.50	14	16.25	18.05	19.25
08	8.75	10.55	11.75	15	17.50	19.30	20.50



RECOMMENDED P.C.B LAYOUT



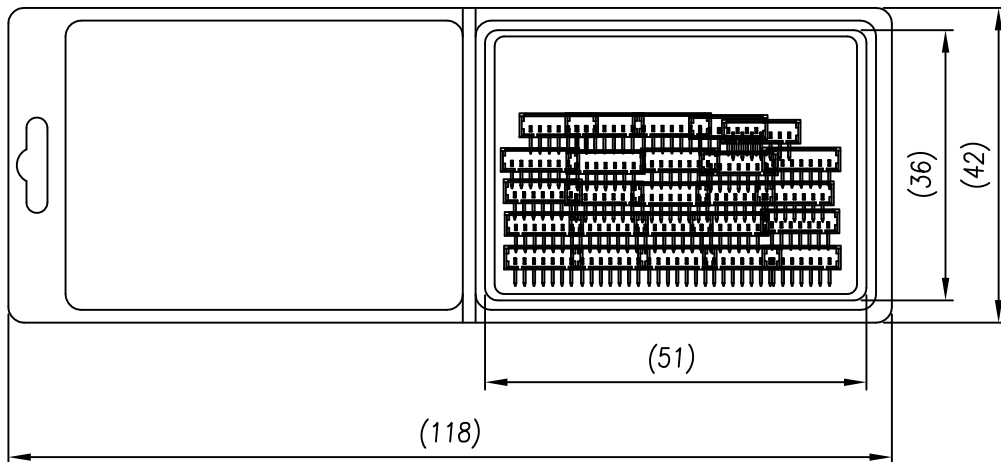
**LEAMAX** 易昕企業有限公司  
 LEAMAX ENTERPRISE CO., LED.

TOLERANCE UNLESS OTHERWISE SPECIFIED		PROJ.	TITLE: Wire To Board Wafer 1.25mm 90° DIP Single Row	
.x± 0.35	.x'± 2'	APR. Chen 14-09-18	DWG NO.4318-D03	
.xx± 0.25	.x'± 1'	CHK. Huang 03-09-18	UNITS: mm	PN:4318-DxxRBH
.xxx± 0.15	.xx'± 0.5'	DRA. Michelle 04-02-15	SIZE: A4	SCALE: FREE
			SHEET: 1/2	REV. A1 V

RoHS Compliant



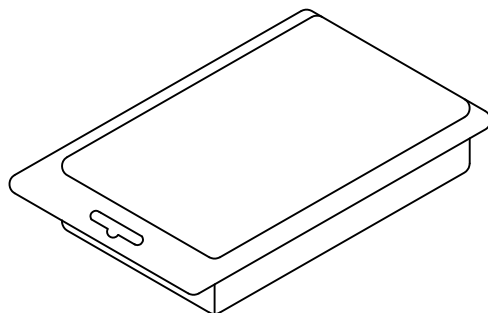
REV	MODIFICATION	DATE	DRAW
A0	Release To Production	08-03-12	Michelle
A1	Release To ECN20150202	04-02-15	Michelle



Notes:  
1. PN: 4318-DxxRBH

每盒包裝數量, 參考下列:

PIN數	數量
02 ~ 04	1000
05 ~ 06	600
07 ~ 08	500
09 ~ 10	400
11 ~ 12	300
13 ~ 15	200



易昕企業有限公司  
LEAMAX ENTERPRISE CO., LED.

TOLERANCE UNLESS OTHERWISE SPECIFIED		PROJ.	TITLE: Wire To Board Wafer 1.25mm 90° DIP Single Row			
.X± 0.35	X.*± 2'	APR. Chen 14-09-18	DWG NO.4318-D03			
.XX± 0.25	.X.*± 1'	CHK. Huang 03-09-18	UNITS: mm	PN: 4318-DxxRBH		
.XXX± 0.15	.XX.*± 0.5'	DRA. Michelle 04-02-15	SIZE: A4	SCALE: FREE	SHEET: 2/2	REV. A1 V