

1 2 3 4 5 6 7

A

A

B

B

C

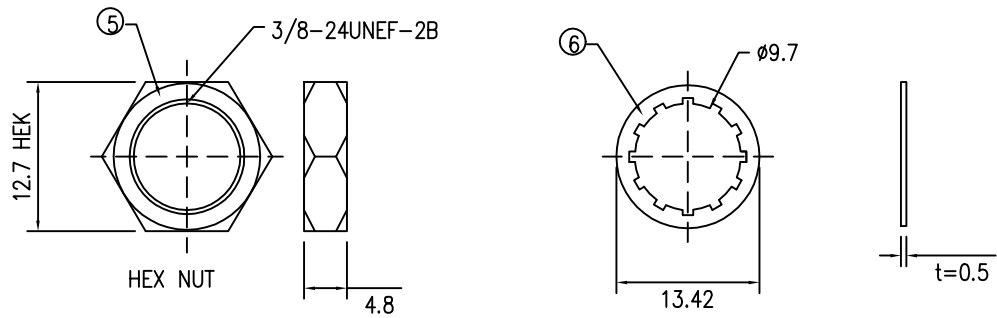
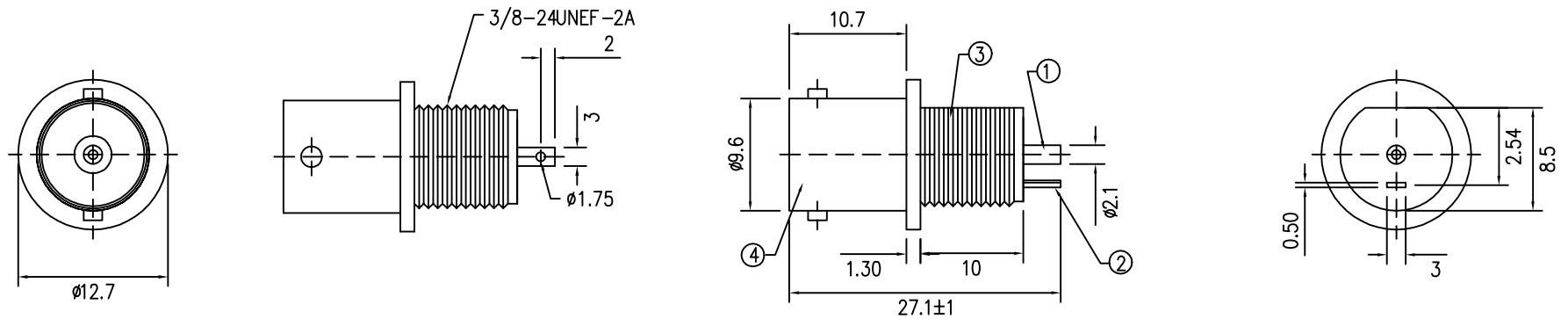
C

D

D


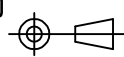
E

E



MATERIAL & FINISHED

- ① CENTER CONTACT:BRASS/GOLD PLATED
- ② GROUND RINC:BRASS/NICKEL PLATED
- ③ INSULATOR:PBT
- ④ BODY:ZINC ALLOY/NICKEY PLATED
- ⑤ HEX NUT:BRASS/NICKEL PLATED
- ⑥ WASHER:STEEL/NICKEL PLATED

 易昕企業有限公司 LEAMAX ENTERPRISE CO., LTD.					
PROJ		SCALE : F DO NOT SCALE DWG	MOLD NO	3285	
APP			MODEL	FILE NO	REV.
CHK	CCJ	92.02.20		BNC FEMALE ISOLATED GROUND BULKHEAD	X1
DGN	AMY	92.02.20	UNIT	SHT 1 OF 1	SIZE
DRW	SHIEH	92.02.20	MM		A4

1 2 3 4 5 6 7