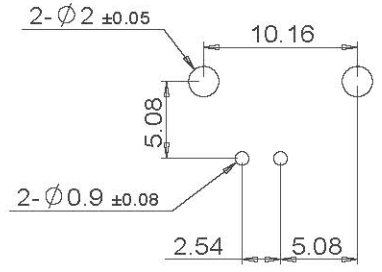
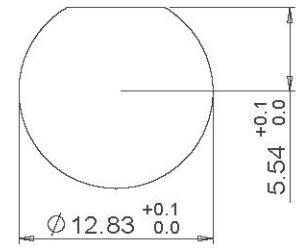


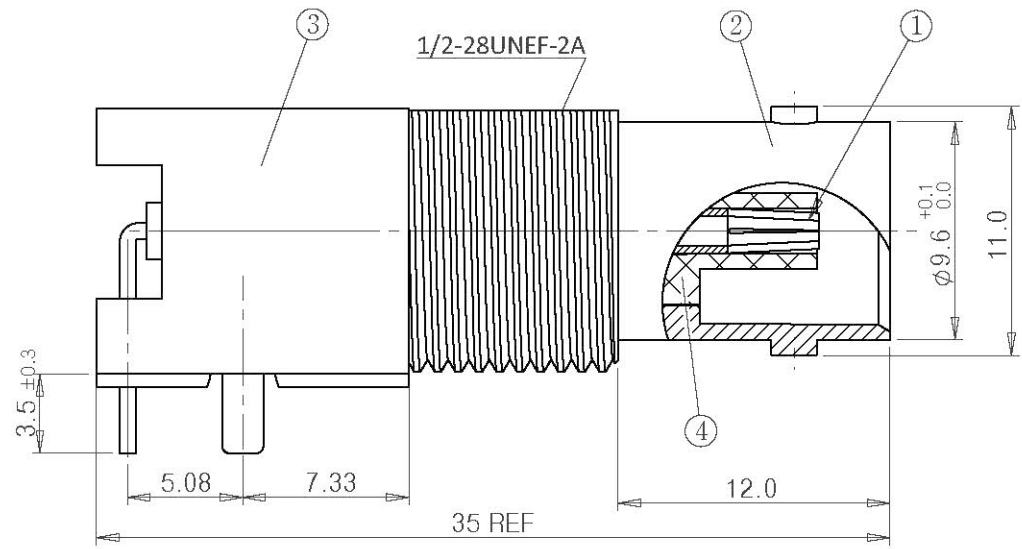
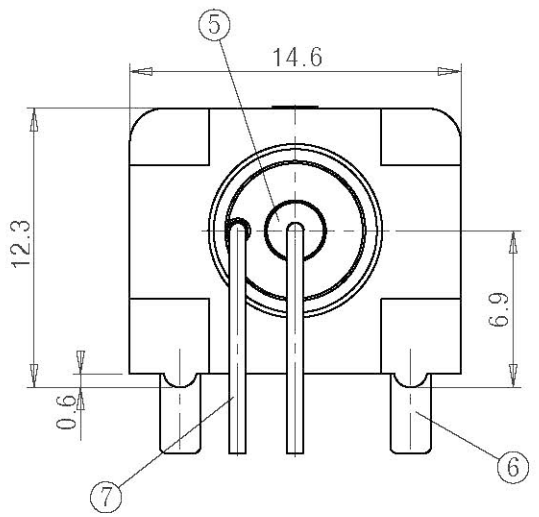
REV	ECO	DESCRIPTION	DRAW	DATE
A	BC12060057	尺寸重新校驗發行	ELAINA	21-06-12



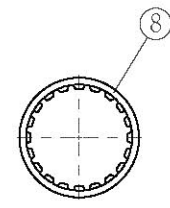
RECOMMEND PC BOARD LAYOUT
WITHOUT MOUNTING POSTS



RECOMMENDED MOUNTING HOLE
MAXIMUM PANEL THICKNESS: 5.5mm



- MATERIAL & FINISH**
- CENTER CONTACT : PHOSPHOR BRONZE, GOLD PLATING
 - BODY : ZINC ALLOY, NICKEL PLATING
 - HOUSING : PBT (94 V-0), WHITE
 - & 5. INSULATOR : PE-606
 - MOUNTING POST : BRASS, TIN PLATING
 - SOLDER TALL: COPPER WIRE, TIN PLATING
 - WASHER : STEEL, NICKEL PLATING



LOCK WASHER
SCALE: 1/1

PART NUMBER 3280A750	DWG. ELAINA	DATE 18-04-12	易昕企業有限公司 LEAMAX ENTERPRISE CO., LTD.
MATERIAL SEE NOTE	CKD. Huang	DATE 02-11-15	
FINSH SEE NOTE	APPD. James	DATE 11-11-15	
<small>YEAR ROUND CONFIDENTIAL: This document, including all drawings, text and information, are the confidential proprietary property of Year Round Corporation. Any duplication, distribution, or disclosure of this document, or the drawings, text or information in it, in whole or in part, without written permission of Year Round Corporation is prohibited. ©Copyright Year Round Corporation. All rights reserved.</small>			75 Ω BNC R/A PCB MOUNT JACK, WHITE
<small>UNLESS OTHERWISE SPECIFIED: DIMENSIONS ARE IN (mm) TOLERANCES ARE: .X ± 0.6 .XX ± 0.3 .XXX ± 0.2 ANGLES ± 3 DEG</small>			
<small>THIRD ANGLE PROJECTION</small>			<small>DO NOT SCALE DRAWING</small>
<small>SCALE 3:1 CAD FILE ERF SHEET 1 OF 1</small>			