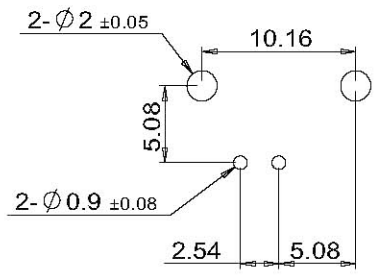
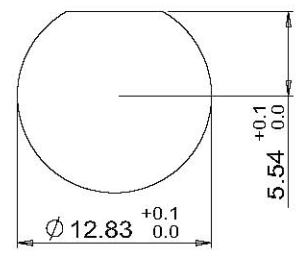


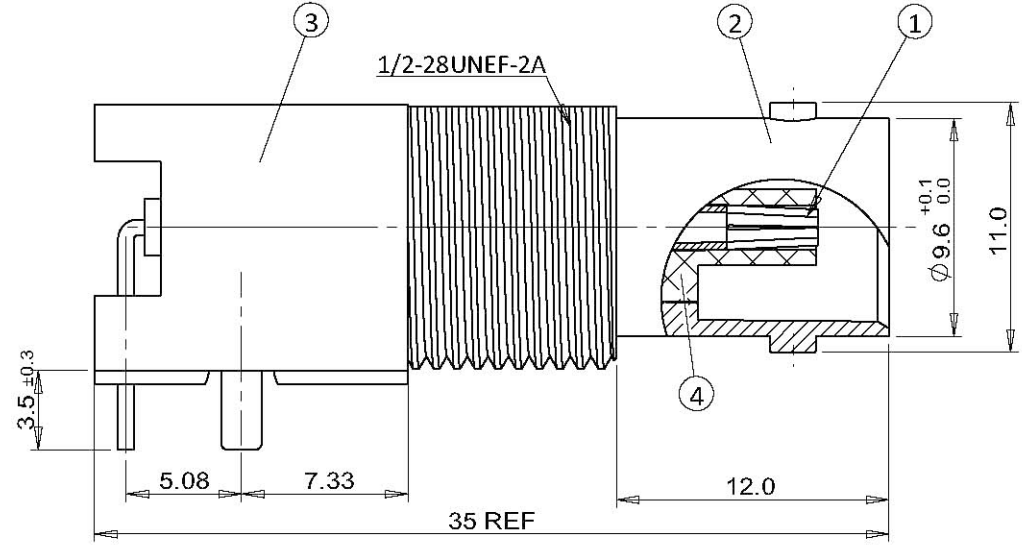
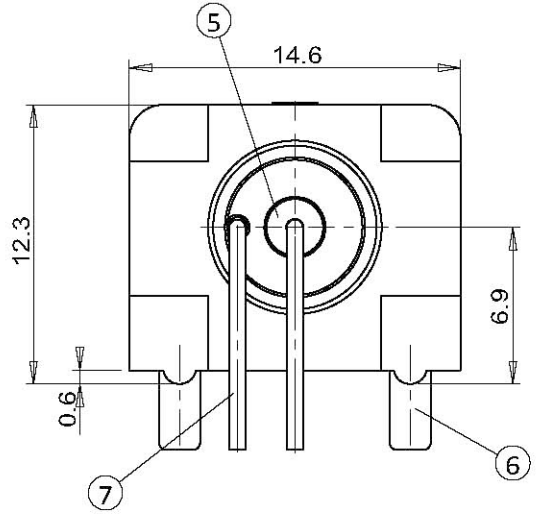
REV	ECO	DESCRIPTION	DRAW	DATE
A	BC12060038	尺寸重新校驗發行	ELAINA	21-06-12



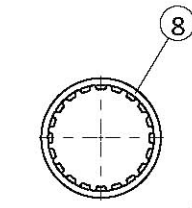
RECOMMEND PC BOARD LAYOUT
WITHOUT MOUNTING POSTS



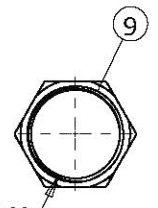
RECOMMENDED MOUNTING HOLE
MAXIMUM PANEL THICKNESS: 5.5mm



- MATERIAL & FINISH**
- 1. CENTER CONTACT : PHOSPHOR BRONZE, GOLD PLATING
 - 2. BODY : ZINC ALLOY, NICKEL PLATING
 - 3. HOUSING : PBT (94 V-0), WHITE
 - 4&5. INSULATOR : PE-606
 - 6. MOUNTING POST : BRASS, TIN PLATING
 - 7. SOLDER TAIL : COPPER WIRE, TIN PLATING
 - 8. WASHER : STEEL, NICKEL PLATING
 - 9. NUT : BRASS, NICKEL PLATING



LOCK WASHER
SCALE: 1/1



CLAMP NUT
SCALE: 1/1

PART NUMBER 3280A500	DWG. ELAINA	DATE 18-04-12
MATERIAL SEE NOTE	CKD. Huang	DATE 21-06-12
FINISH SEE NOTE	APPD. James	DATE 11-11-15
<small>YEAR ROUND CONFIDENTIAL: This document, including all drawings, text and information, are the confidential proprietary property of Year Round Corporation. Any duplication, distribution, or disclosure of this document, or the drawings, text or information in it, in whole or in part, without written permission of Year Round Corporation is prohibited. Copyright Year Round Corporation. All rights reserved.</small>		<small>UNLESS OTHERWISE SPECIFIED: DIMENSIONS ARE IN mm TOLERANCES ARE: X ± 0.5 XX ± 0.3 XXX ± 0.2 ANGLES ± 3 DEG</small>
THIRD ANGLE PROJECTION	DO NOT SCALE DRAWING	

LEAMAX 易昕企業有限公司
LEAMAX ENTERPRISE CO., LTD.

**50 Ω BNC R/A
PCB MOUNT
JACK, WHITE**

DWG NO. 3280-001 REV A

SCALE 3:1 CAD FILE ERP SHEET 1 OF 1