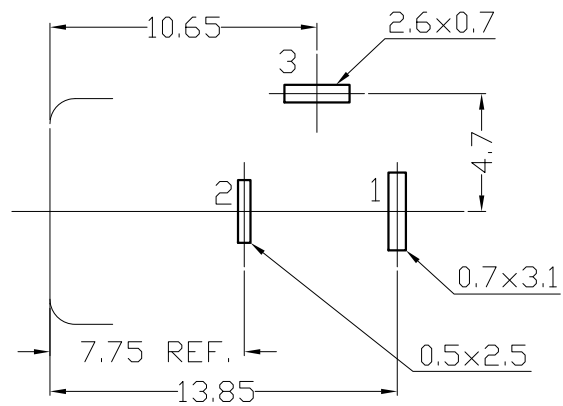
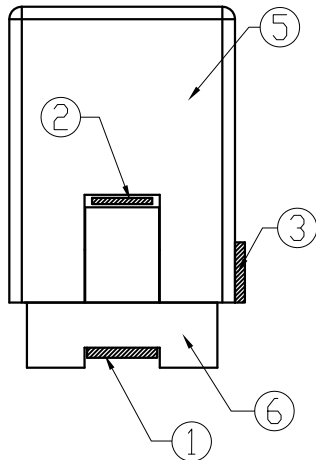
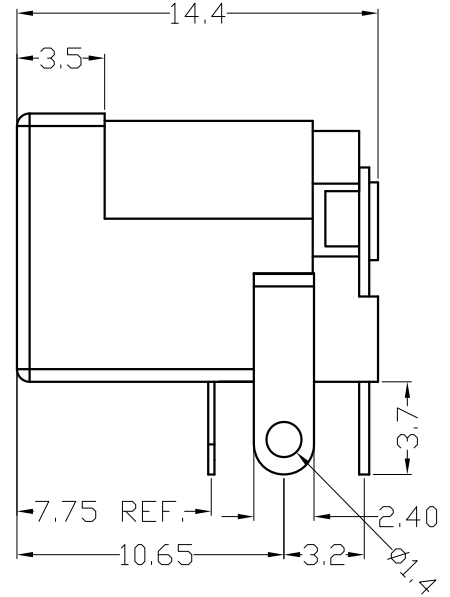
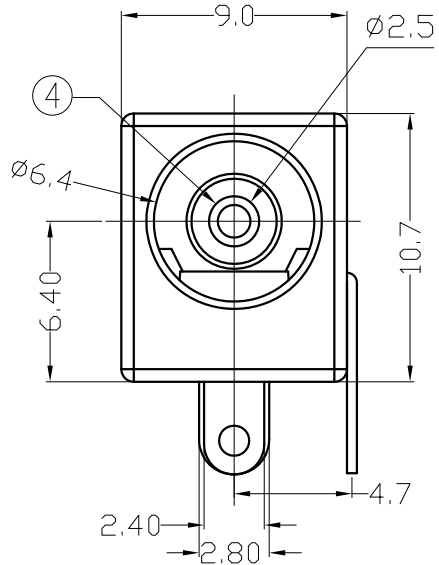


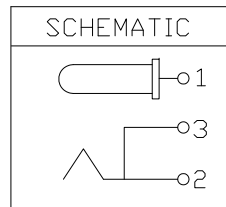
REV	ZONE	REVISION	DATE



PCB LAYOUT  
(BOTTOM VIEW)

NO.	NAME	MATERIAL	FINISH	Q'TY
1	PIN TERM.	BRASS T:0.4	TIN PLATED	1
2	SLEEVE TERM.	PBS T:0.25	TIN PLATED	1
3	BREAK TERM.	BRASS T:0.4	TIN PLATED	1
4	CENTER PIN	BRASS Ø2.5	NICKEL PLATED	1
5	HOUSING	PBT G.F.	BLACK	1
6	BACK COVER	PBT G.F.	BLACK	1

Green Product



**Specification:**  
 Contact Resistance: 30m Ohm Max. At AC 100mA Max .1KHz  
 Insulation Resistance: 100M Ohm Min. At 500V DC  
 Rated Voltage And Current: DC12V. 2A Max; AC 100V. 1A Max  
 Dielectric Withstanding Voltage: 500V AC for 1 Minute  
 Insertion Force: 3.0Kg Maximum.  
 Extraction Force: 0.3Kg Minimum.



**易昕企業有限公司**  
LEAMAX ENTERPRISE CO., LED.

Drawing No			UNIT	SCALE	TITLE	
3275-005			mm	1:1	DC POWER JACK	
APPD.	CKD.	DWG.	DATE	TOLERANCE	PART NO.	REV.
JAMES 11-09-12	SHIRLEY 01-09-12	TINA 01-06-10	01-06-10	X. ±0.38 .X ±0.25 .XX ±0.13 .XXX ±0.05	3275-3PBE	A0

MODEL 3275-3PBE PAGE 1 OF 1