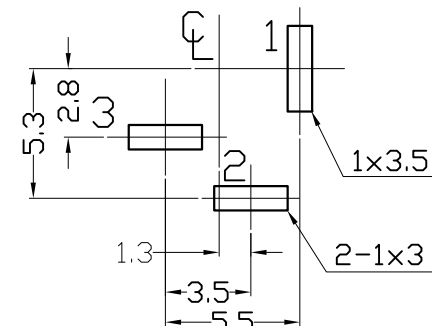
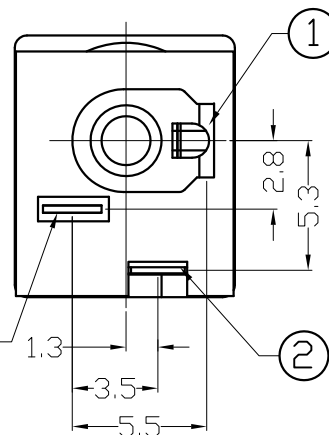
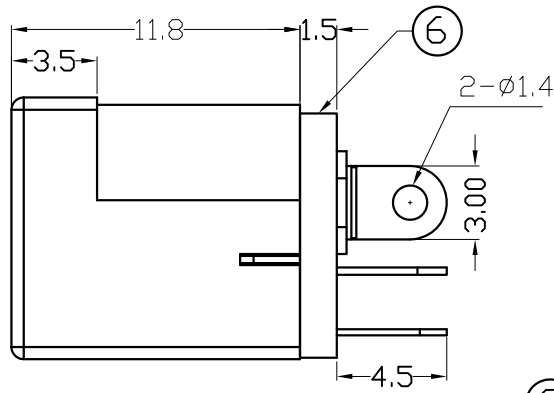
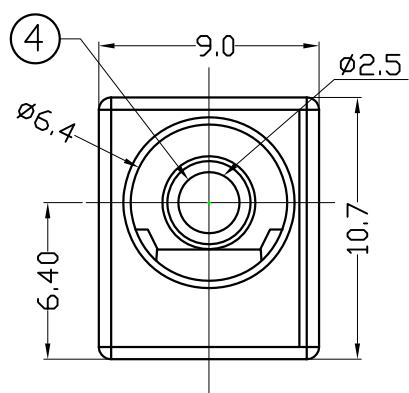
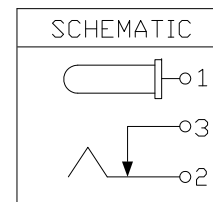


REV	ZONE	REVISION	DATE



PCB LAYOUT
(BOTTOM VIEW)



Green Product

NO.	NAME	MATERIAL	FINISH	Q'TY
1	PIN TERM.	BRASS T:0.4	TIN PLATED	1
2	SLEEVE TERM.	PHOS. BRONZE T:0.25	TIN PLATED	1
3	BREAK TERM.	BRASS T:0.4	TIN PLATED	1
4	CENTER PIN	BRASS ϕ 2.5	NICKEL PLATED	1
5	HOUSING	PBT G.F.	BLACK	1
6	BOTTOM COVER	BAKELITE	BLACK	1

Specification:

Contact Resistance: 30m Ohm Max. At AC 100mA Max .1KHz

Insulation Resistance: 100M Ohm Min. At 500V DC

Rated Voltage And Current: DC12V. 2A Max; AC 100V. 1A Max

Dielectric Withstanding Voltage: 500V AC for 1 Minute

Insertion Force: 3.0Kg Maximum.

Extraction Force: 0.3Kg Minimum.



易昕企業有限公司
LEAMAX ENTERPRISE CO., LED.

Drawing No

3275-004

UNIT

mm

SCALE

1:1

TITLE

DC POWER JACK

APPD.

JAMES
25-04-16

CKD.

SHIRLEY
02-07-12

DWG.

TINA
01-06-10

DATE

01-06-10

TOLERANCE

X. \pm 0.38
X \pm 0.25
.XX \pm 0.13
.XXX \pm 0.05

PART NO.

3275-3PBV

REV.

A0

MODEL

3275-3PBV

PAGE 1 OF 1

1

2

3

4

5

6

7

8