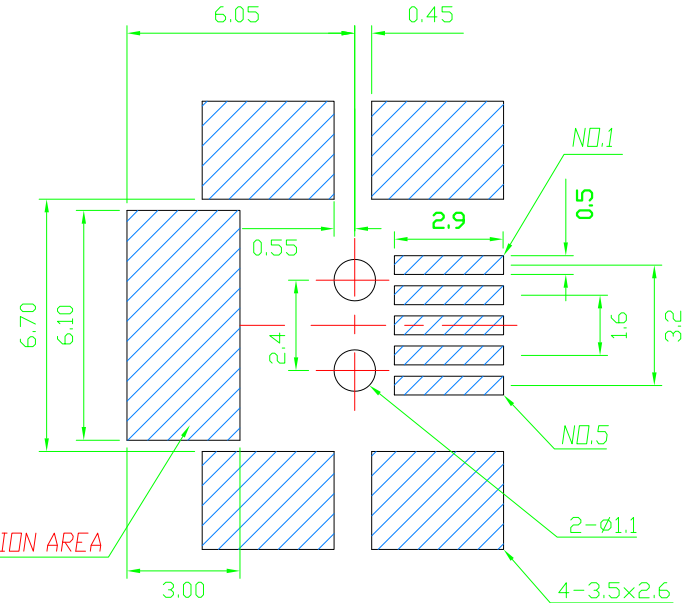
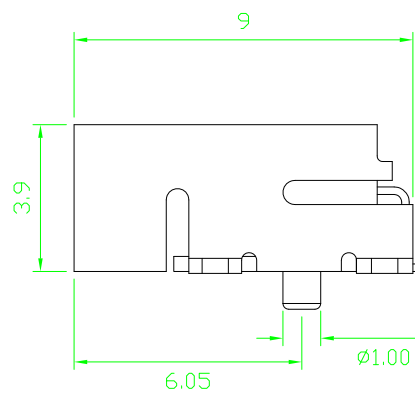
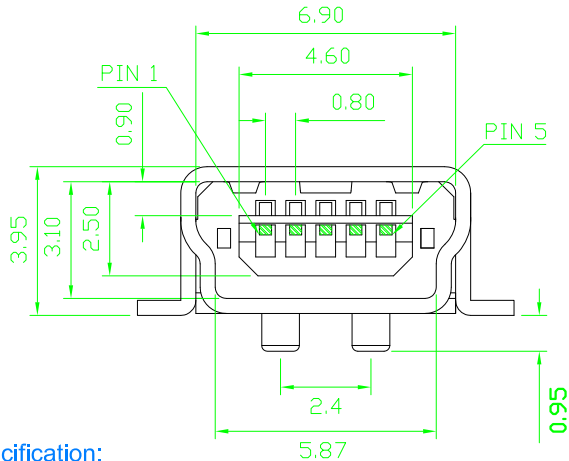
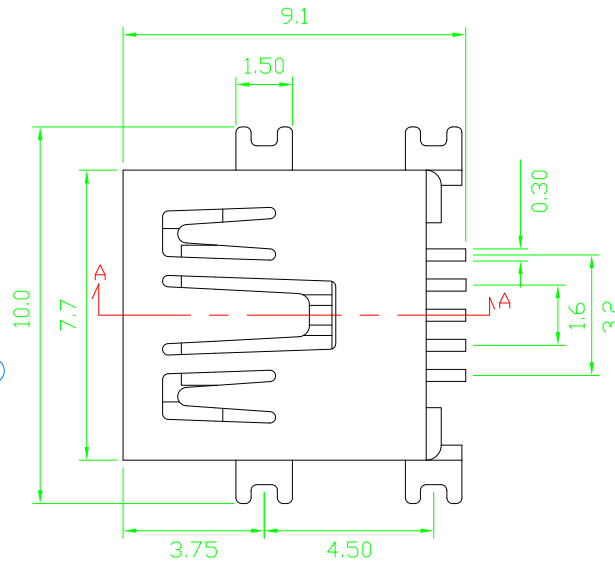
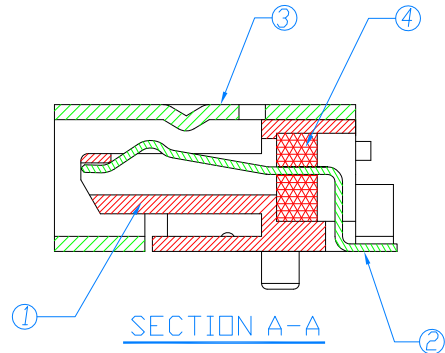


REV	ZONE	REVISION	DATE



RECOMMENDED PCB PATTERN LAYOUT  
(PCB THICKNESS: 0.8±0.1)

**Green Product**

**Specification:**  
 Contact Resistance: 50m Ohm. Max.  
 Insulation Resistance: 100M Ohm Min. At 500VDC.  
 Rated Voltage And Current: 1A At 30VAC Minimum.  
 Dielectric Withstanding Voltage: 100V AC for 1 Minute  
 Durability (Life Test): 1500 Cycles  
 Insertion Force: 35 Newton Maximum.  
 Extraction Force: 7 Newton Minimum.

NO.	NAME	MATERIAL	FINISH	Q'TY	REMARK
1	HOUSING	NYLON PA9T G.F	BLACK	1	
2	PIN TERM.	PBS T:0.2	GOLD/TIN PLATED	5	Gold:30u"; NI:40~60u"; TIN:120u" (100% pure Tin of lead free plating)
3	SHELL	BRASS T:0.4	NICKEL PLATED	1	Ni:50u" MINIMUM.
4	CENTER PASTERN	NYLON PA9T G.F	BLACK	1	



易昕企業有限公司  
LEAMAX ENTERPRISE CO., LTD.

Drawing No			UNIT	SCALE	TITLE	
3213-011			mm	1:1	MINI USB B TYPE 5 PIN CONNECTOR SMT	
APPD.	CKD.	DWG.	DATE	TOLERANCE	PART NO.	REV.
JAMES 12-09-13	SHIRLEY 12-09-13	TINA 19-12-07	19-12-07	X. ±0.38 .X ±0.25 .XX ±0.13 .XXX ±0.05	3213-BSME-30UB	A0

MODEL 3213-BSME-30UB PAGE 1 OF 1