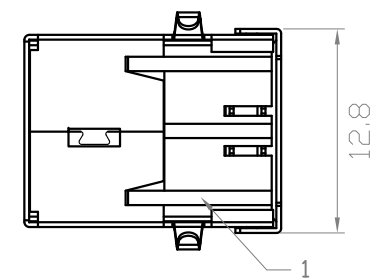
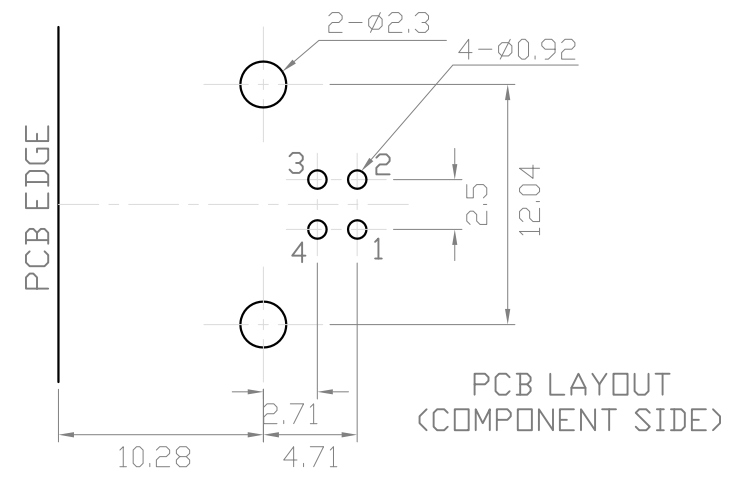
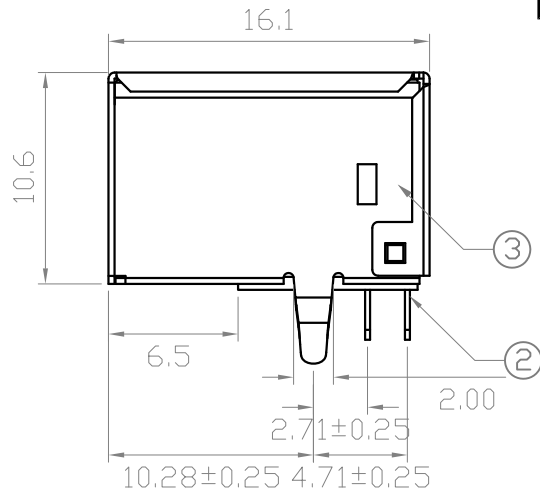
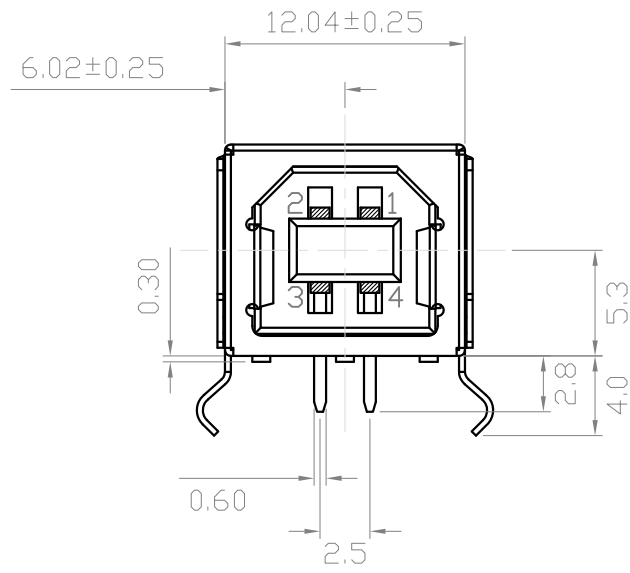


REV	ZONE	REVISION	DATE



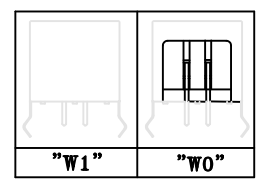
Order Information

Serial No. 3 2 1 3 - W x B C E - 3 0 U x

TYPE  
 W0: WITHOUT  
 W1: WITH (Standard)  
 RoHS

Housing Color  
 B: BLACK  
 W: WHITE

**TYPE**



Specification:  
 Contact Resistance: 30m Ohm Max.  
 Insulation Resistance: 1000M Ohm Min. At 500VDC.  
 Rated Voltage And Current: 1.5A At 250VAC Minimum.  
 Dielectric Withstanding Voltage:  
**500V AC (rms) for 1 Minute(Rev. 2.0)**  
 Durability (Life Test): 1500 Cycles  
 Insertion Force: 35 Newton Maximum.  
 Extraction Force: 10 Newton Minimum.

NO.	NAME	MATERIAL	FINISH	REMARK	Q'TY
1	HOUSING	PBT G.F.	WHITE / BLACK		1
2	PIN TERM.	PHOS. BRONZE T:0.25	GOLD/TIN PLATED	Gold30u'; Ni40~60u'; TIN120u' (100% pure Tin of lead free plating)	4
3	SHELL	BRASS T:0.3	NICKEL PLATED	NI:80~120u'	1



易昕企業有限公司  
 LEAMAX ENTERPRISE CO., LED.

Drawing No			UNIT	SCALE	TITLE	
3213-009			mm	1:1	USB B TYPE FLAT 4 PIN DIP	
APPD.	CKD.	DWG.	DATE	TOLERANCE	PART NO.	REV.
JAMES 01-03-13	SHIRLEY 05-02-12	TINA 05-03-10	05-03-10	X. ±0.38 .X ±0.25 .XX ±0.13 .XXX ±0.05	3213-W×BCE-30U×	A0

MODEL 3213-W×BCE-30U× PAGE 1 OF 1