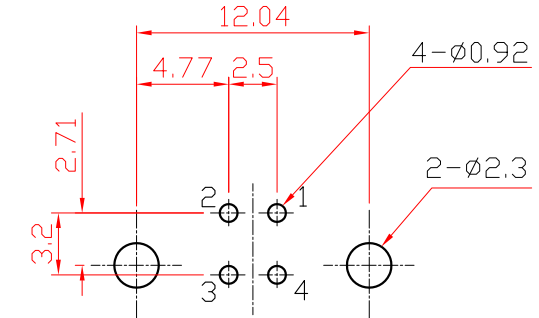
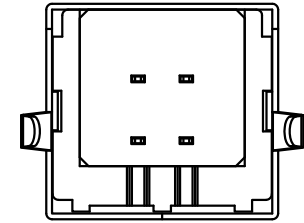
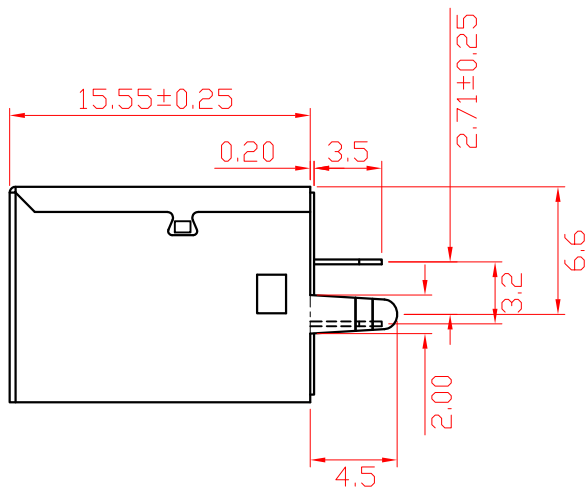
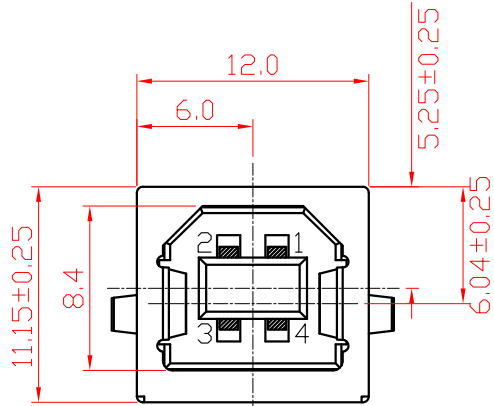
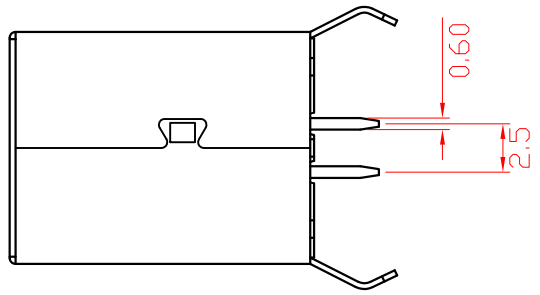


REV	ZONE	REVISION	DATE



(COMPONENT SIDE)  
PCB LAYOUT



Specification:  
 Contact Resistance: 30m Ohm Max.  
 Insulation Resistance: 1000M Ohm Min. At 500VDC.  
 Rated Voltage And Current: 1.5A At 250VAC Minimum.  
 Dielectric Withstanding Voltage:  
     750V AC (rms) for 1 Minute(Rev. 1.1)  
 Durability (Life Test): 1500 Cycles  
 Insertion Force: 35 Newton Maximum.  
 Extraction Force: 10 Newton Minimum.



NO.	NAME	MATERIAL	FINISH	REMARK	Q'TY
1	HOUSING	PBT G.F.	WHITE		1
2	PIN TERM.	PHOS. BRONZE T:0.25	GOLD/TIN PLATED	Gold1~3u"; NI40~60u"; TIN120u" (100% pure Tin of lead free plating)	4
3	SHELL	BRASS T:0.3	NICKEL PLATED	NI:80~120u"	1
4	BOTTOM COVER	PBT G.F.	WHITE		1



易昕企業有限公司  
LEAMAX ENTERPRISE CO., LED.

Drawing No			UNIT	SCALE	TITLE		
3213-006			mm	1:1	USB B TYPE FLAT 4 PIN DIP		
APPD.	CKD.	DWG.	DATE	TOLERANCE	PART NO.	REV.	
JAMES 31-10-13	SHIRLEY 01-10-13	TINA 21-05-10	21-05-10	X. ±0.38 .X ±0.25 .XX ±0.13 .XXX ±0.05	3213-VWE-01UW	A0	

MODEL 3213-VWE-01UW PAGE 1 OF 1