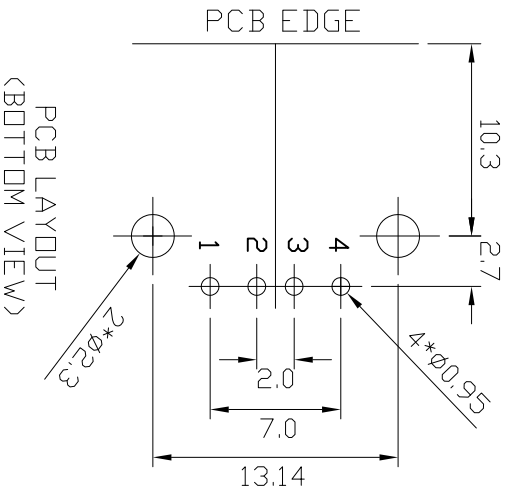
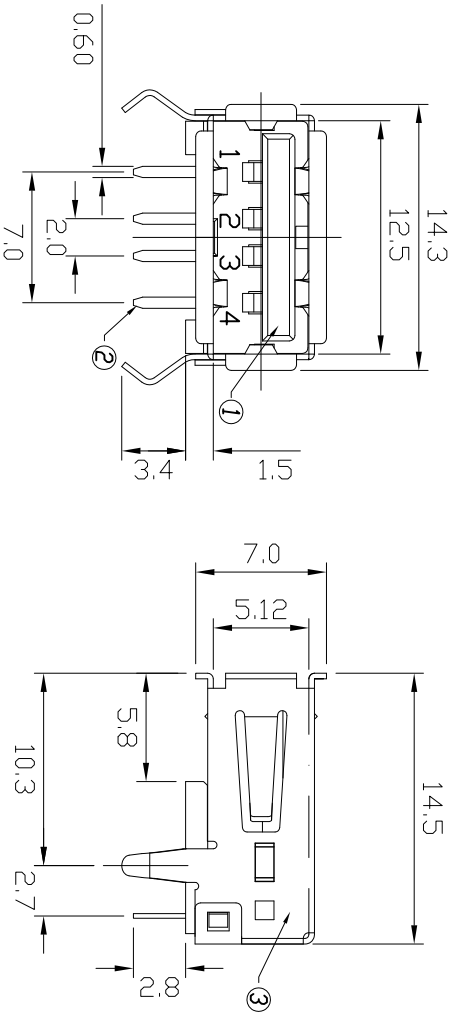


REV. ZONE	REVISION	DATE

Specification:
 Contact Resistance: 30m Ohm Max.
 Insulation Resistance: 1000M Ohm Min. At 500VDC.
 Rated Voltage And Current: 1.5A At 250VAC Minimum.
 Dielectric Withstanding Voltage:
 750V AC (rms) for 1 Minute(Rev. 1.1)
 Durability (Life Test): 1500 Cycles
 Insertion Force: 35 Newton Maximum.
 Extraction Force: 10 Newton Minimum.



NO.	NAME	MATERIAL	FINISH	Q'TY	REMARK
1	HOUSING	PBT G.F.	WHITE	1	
2	TERMINAL	PHDS. BRONZE T:0.25	GOLD/TIN PLATED	4	Gold:1~3u", Ni:40~60u", TIN:120u" (100% pure Tin of lead free plating)
3	SHELL	BRASS T:0.3	NICKEL PLATED	1	Ni:80~120u"



易昕企業有限公司
 LEAMAX ENTERPRISE CO., LTD.

MODEL	3210-W1BCE-01UV	PAGE 1 OF 1	APPD. JAMES 06-02-14	CKD. SHIRLEY 18-04-12	DWG. TINA 15-09-10	DATE 15-09-10	TOLERANCE X 4038 X 4025 XX 4013 XXX 4005	PART NO. 3210-W1BCE-01UV	REV. A1
-------	-----------------	-------------	----------------------	-----------------------	--------------------	---------------	---	--------------------------	---------

Drawing No

3210-002

UNIT

mm

SCALE

1:1

TITLE

USB A TYPE FLAT 4 PIN DIP