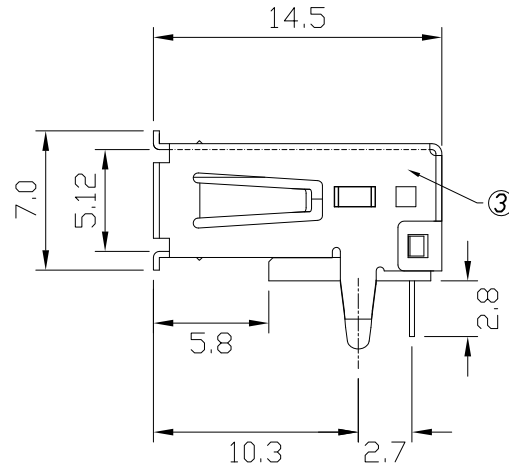
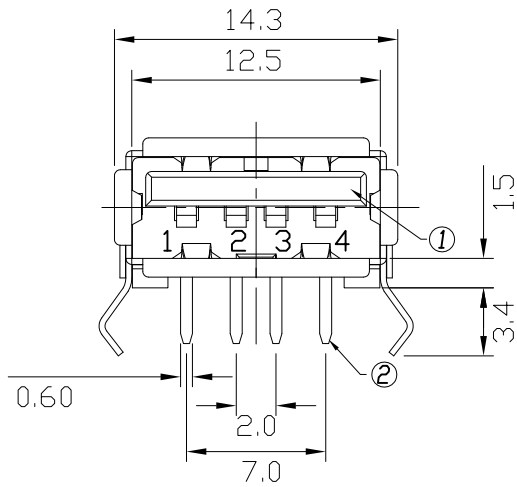
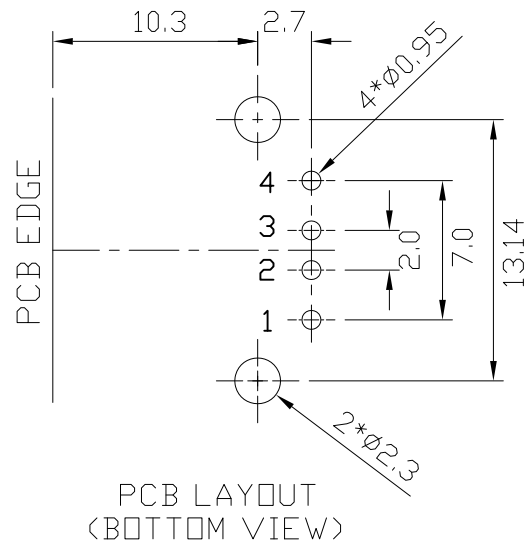


REV	ZONE	REVISION	DATE



Specification:
 Contact Resistance: 30m Ohm Max.
 Insulation Resistance: 1000M Ohm Min. At 500VDC.
 Rated Voltage And Current: 1.5A At 250VAC Minimum.
 Dielectric Withstanding Voltage:
 500V AC (rms) for 1 Minute(Rev. 2.0)
 Durability (Life Test): 1500 Cycles
 Insertion Force: 35 Newton Maximum.
 Extraction Force: 10 Newton Minimum.



Green Product

NO.	NAME	MATERIAL	FINISH	Q'TY	REMARK
1	HOUSING	PBT G.F.	WHITE	1	
2	TERMINAL	PHOS. BRONZE T:0.25	GOLD/TIN PLATED	4	Gold:30u"; NI:40~60u"; TIN:120u" (100% pure Tin of lead free plating)
3	SHELL	BRASS T:0.3	NICKEL PLATED	1	Ni:80~120u"



易昕企業有限公司
 LEAMAX ENTERPRISE CO., LED.

Drawing No

3210-001

UNIT

mm

SCALE

1:1

TITLE

UAB A TYPE FLAT 4 PIN DIP

APPD.

JAMES
11-11-13

CKD.

SHIRLEY
01-11-13

DWG.

TINA
15-09-10

DATE

15-09-10

TOLERANCE

X. ±0.38
 .X ±0.25
 .XX ±0.13
 .XXX ±0.05

PART NO.

3210-W1BCE-30UW

REV.

A1

MODEL

3210-W1BCE-30UW

PAGE 1 OF 1