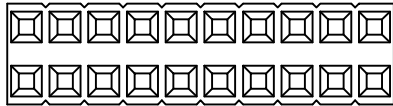
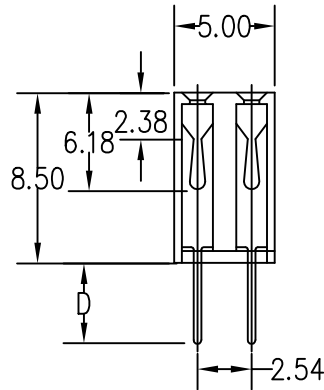
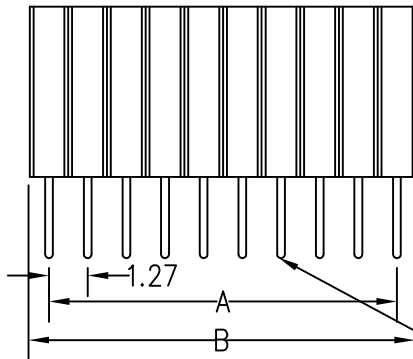


# 2162C2 FEMALE HEADER

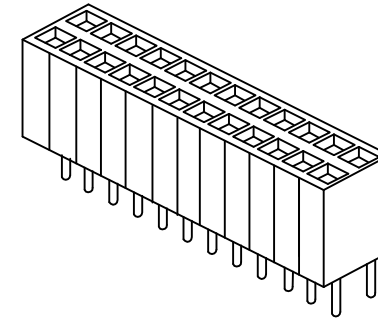
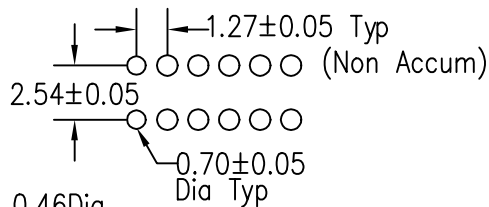
1.27\*2.54mm Dual Row/Straight



A=1.27X(No. of Contacts/2-1)  
B=1.27X No. of Positions



P.C.Board Hole Layout



**SPECIFICATIONS**  
 CURRENT RATING:1AMP  
 INSULATOR RESISTANCE:5000MΩMIN  
 DIELECTRIC WITHSTANDING:AC 500V  
 OPERATING TEMPERATURE:-40°C-+105°C  
 MAX PROCESSING TEMP:230° for 30SECONDS  
 CONTACT MATERIAL:PHOSPHOR BRONZE OR BRONZE  
 INSULATOR MATERIAL:POLYESTER UL94V-0  
 NYLON-6T  
 FINISH:GOLD FLASH

ORDER INFORMATION:  
2162C2 2X ?? -S -D1 -G

Contact Plating:G:Gold Flash  
 Pin Length:D1:22mm  
               D2:27mm\*Standard  
               D3:30mm  
 S:Straight Type  
 No of Contacts 3~50



易昕企業有限公司  
LEAMAX ENTERPRISE CO., LTD.

PROJ		SCALE : F DO NOT SCALE DWG	MOLD NO	2162C2	
APP			MODEL	FILE NO	REV. X1
CHK	CCJ	90.09.04	UNIT	SHT 1 OF 1	SIZE A4
DGN	AMY	90.09.04	MM		
DRW	SHIEH	90.09.04			