

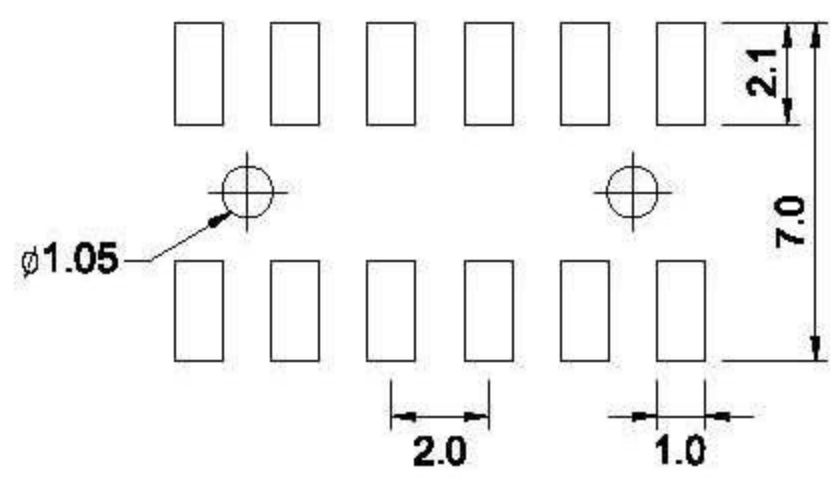
Rev	Modification	Date	Validate
-----	--------------	------	----------

**RoHS**

**Specifications**

Current Rating : 2 Amps  
 Insulator Resistance : 1000 Megohms min.  
 Contact Resistance : 20 m ohms max.  
 Dielectric Withstanding : AC 500V  
 Operating Temperature : -40°C ~ +105°C  
 Contact Material : Phosphor Bronze  
 Insulator Material : Polyester, UL 94V-0 Nylon-6T  
 Contact Plated : See Option  
 Standard: Full Gold Flash

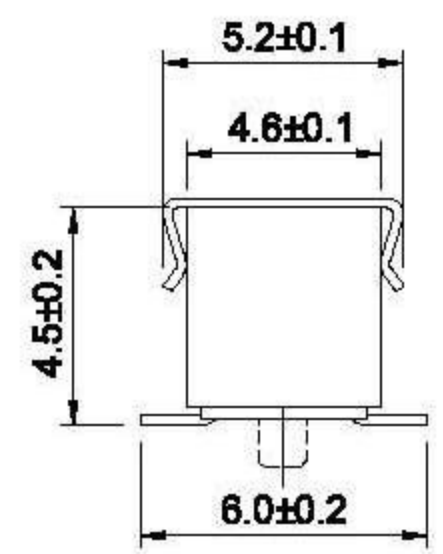
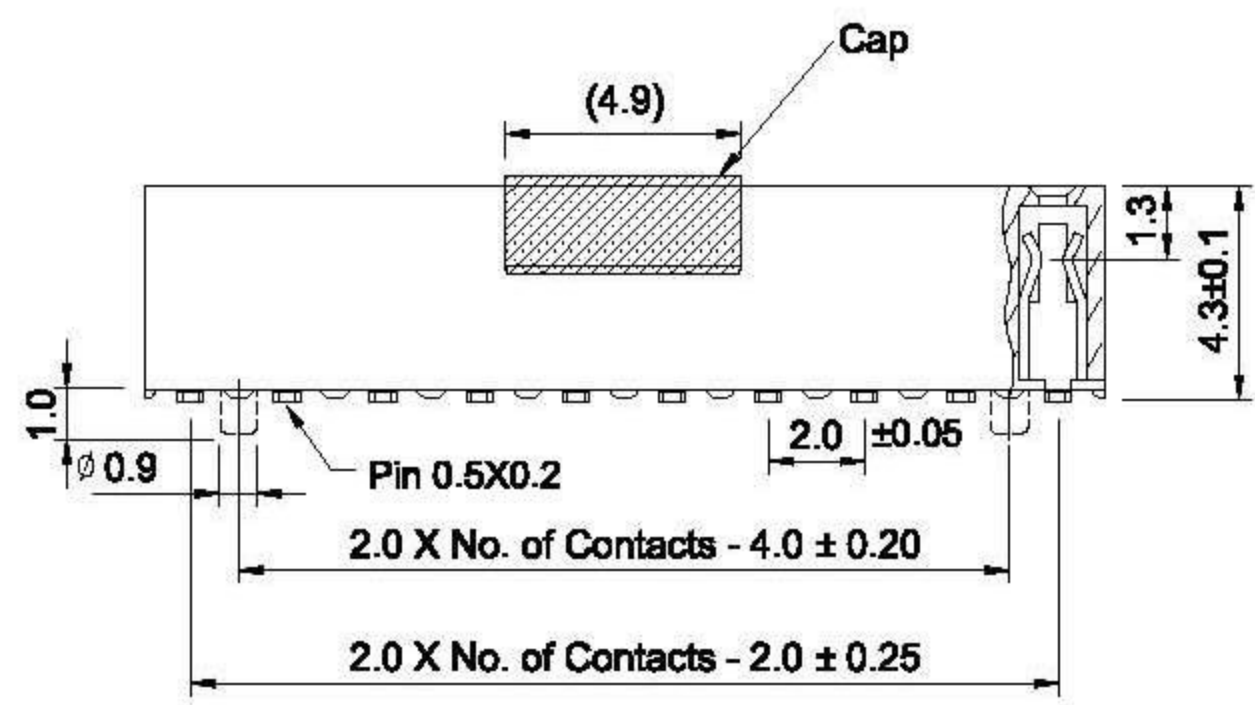
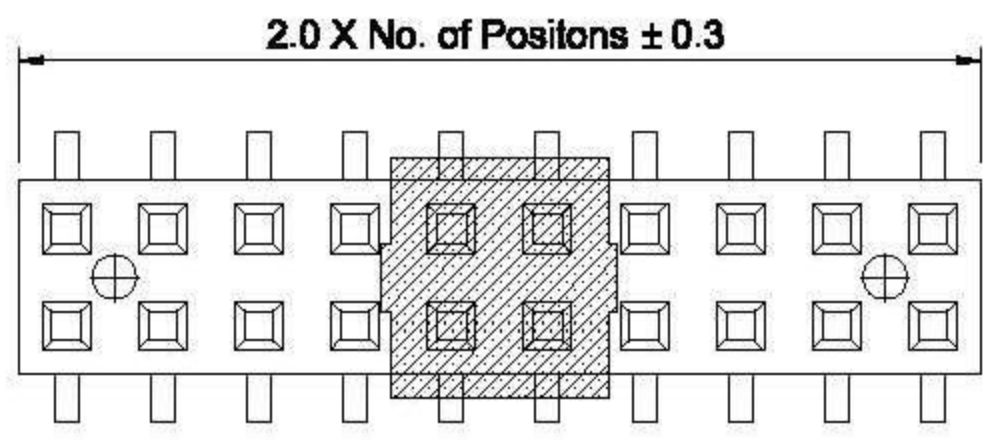
**Recommended P.C. Board SMD Layout**



**Order Information**

2161 - M 2 XX - X X XX - M X

Serial No. \_\_\_\_\_  
 Terminal Type \_\_\_\_\_  
 M : SMD Type  
 Row Type \_\_\_\_\_  
 2 : Dual Row  
 No. of Contact per Row \_\_\_\_\_  
 Post Option \_\_\_\_\_  
 0 : Without Post  
 1 : With Post  
 Terminal Dim. \_\_\_\_\_  
 0 : 6.0mm ( Standard )  
 1 : 6.5mm  
 Contact Plated \_\_\_\_\_  
 Cap Option \_\_\_\_\_  
 M : Metal Cap  
 Packing Method \_\_\_\_\_  
 T : In Tube  
 R : Tape & Reel



Contact Plating Option	Full Gold Plating	Gold Plating On Contact Area Tin Plating On Solder Area	Full Tin Plating
	GA : Gold Flash GC : Gold 10u" GD : Gold 15u" GE : Gold 30u"	SA : Gold Flash SC : Gold 10u" SD : Gold 15u" SE : Gold 30u"	TA : Tin 100u"

GENERAL TOLERANCE		單位 (UNIT)	料號 (PART NO.)		圖號 (DWG NO.)		易昕企業有限公司 LEAMAX ENTERPRISE CO., LTD		
X ± 0.50	X ° ± 5°	mm	2161-M2XX-10XX-XX		2161-001		LEAMAX		
.X ± 0.20	.X ° ± 2°		審核 (APPROVAL)		比例 SCALE 3:1		張數 SHEET 1/1		
.XX ± 0.10	.XX ° ± 1°	James	Mary		Fen-Fen		名標 (TITLE): Female Header P:2.0 x 2.0mm		
DATE 2011/04/20	SCM1	2011.08.26			角法 PRCL		更改 REV. A		
								Profile : 4.3mm/ W:4.8mm, Dual Row, SMD Type	