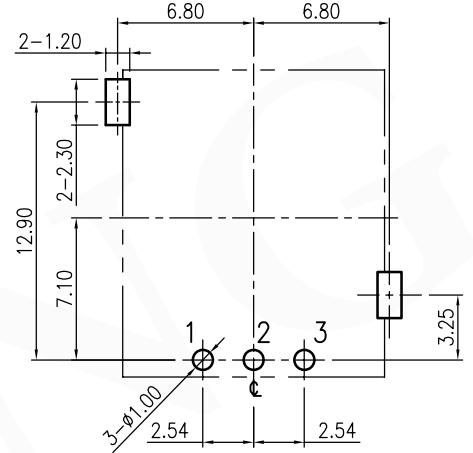
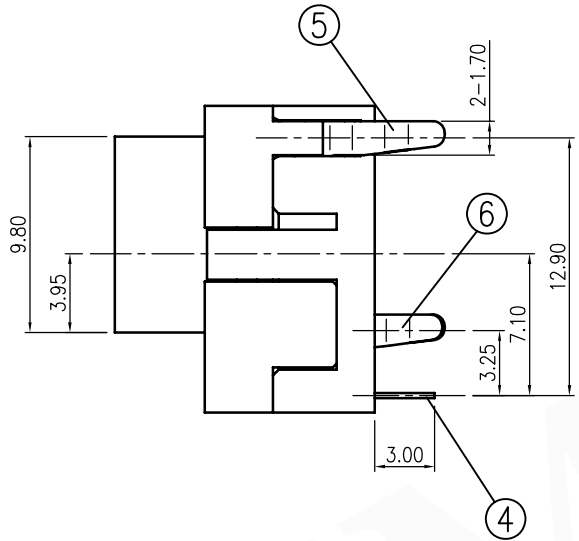
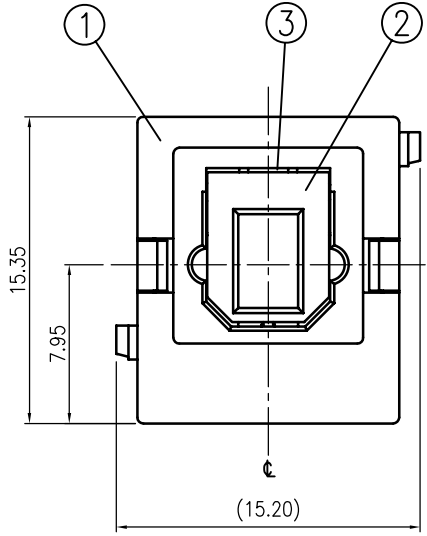
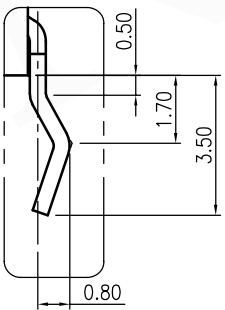
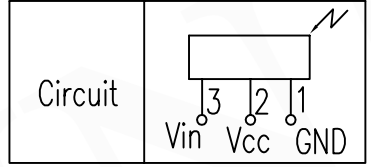
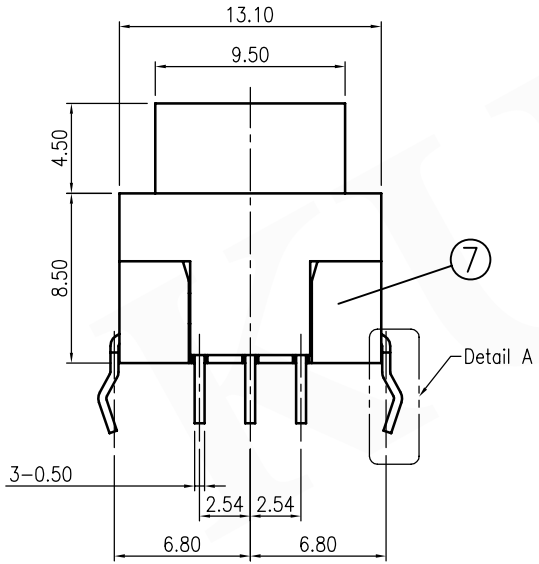


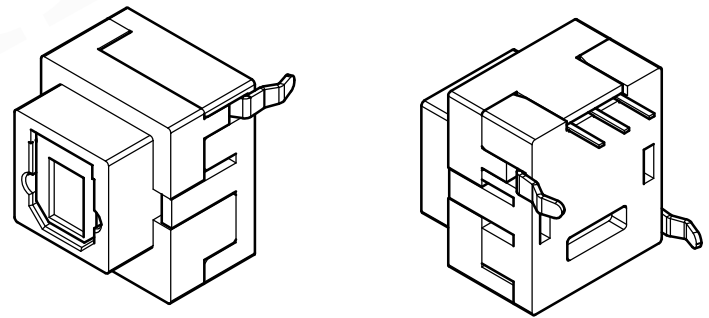
REVISIONS					
LTR	DESCRIPTION	DATE	REV.	CHKD.	APVD.



P.C.B Layout Dimension (Tolerance: ±0.1)
(Recommend min. Dimension) (Bottom View)



Detail A
Scale: 2:1



LTR	PART NO.	QTY	MATERIAL	REMARK
7	COVER	1	PBT+GF UL 94V-0	BLACK
6	TERMINAL-L	1	BRASS t=0.40	MB: Cu2 μm-Sn3 μm
5	TERMINAL-R	1	BRASS t=0.40	MB: Cu2 μm-Sn3 μm
4	LIGHT TRANSMITTING UNIT	1		
3	SPRING	1	STAINLESS STEEL t=0.20	
2	COVER	1	PBT+GF UL 94V-0	BLACK
1	HOUSING	1	PBT+GF UL 94V-0	BLACK

DIMENSION	TOLERANCE	LTR	PART NO.	QTY	DATE	SCALE	PROJECTION	REMARK	
120~315	±0.5	DWN	MIMO	1	2009.08.12	2.5/1		NAME 8.5mm Height Vertical Optical	
30~120	±0.35	DSND	MIMO	1	2009.08.12				
6~30	±0.22	CHKD	JACKY	1	2009.08.12			CAT. NO. KM15010T16BE	
BELOW 6	±0.16	APVD	DICK	1	2009.08.12		UNIT: mm		
KUNMING ELECTRONICS CO.,LTD.								DWN.NO. A-15010	1/1 001