

1

2

3

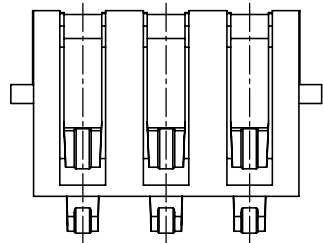
4

5

6

## REVISIONS

LTR	DESCRIPTION	DATE	REVISED	APPROVED



## NOTE:

## 1.MATERIAL:

1-1 HOUSING: PA-9T, UL94V-0 (COLOR: BLACK)

1-2 TERMINALS: BERYLLIUM COPPER, (t=0.15±0.01mm)

## 2.PLATING:

2-1 UNDER PLATING 50u" MIN NICKEL OVER ALL.

2-2 CONTACT AREA 15u" MIN GOLD.

2-3 SURFACE GOLD FLASH OVER ALL.

## 3.PACKING:

TUBE

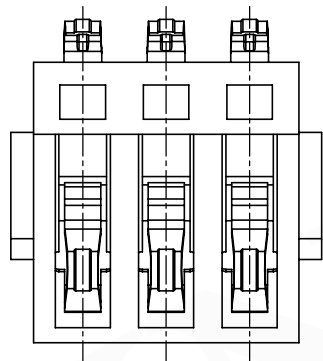
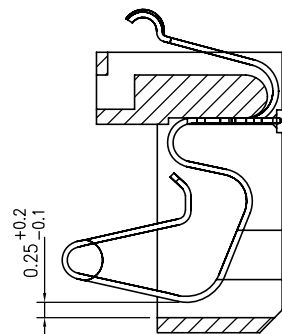
A

B

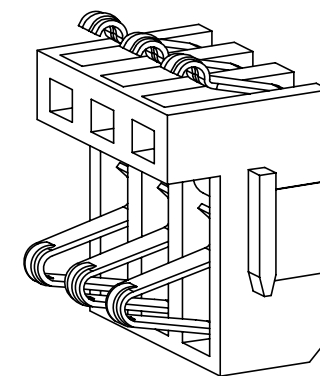
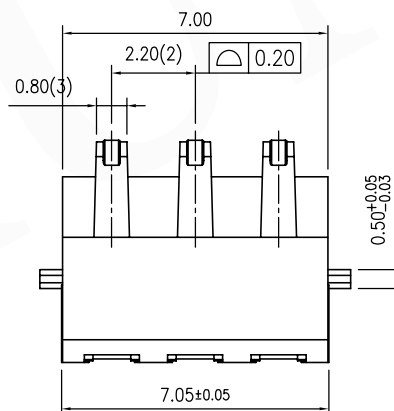
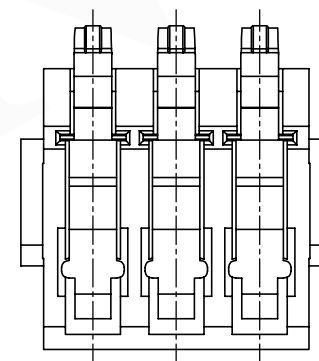
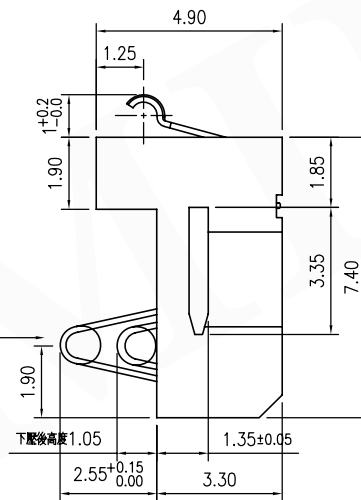
C

D

E



電池下壓方向



▲ :CRITICAL

● :MAJOR

0.	±0.50
0.0	±0.35
0.00	±0.25
0.000	±0.15
DIM.	TOLERANCE

DWN	MIMO	DATE	2006.08.25	SCALE	5/1	NAME	Battery Conn.	
DSND	MIMO	DATE	2006.08.25	PROJECTION			3P/Tube	
CHKD	MIMO	DATE	2006.08.25	UNIT: mm		PART NO.	KM142003608A08FK	
APVD	HANK	DATE	2006.08.25				DWN.NO.	A-14200360
KUNMING ELECTRONICS CO.,LTD.							A	