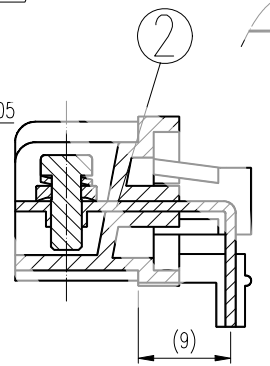
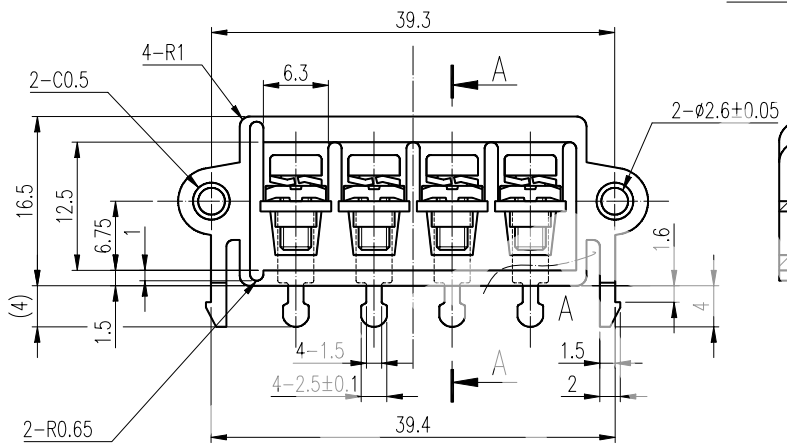
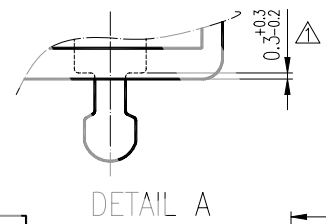


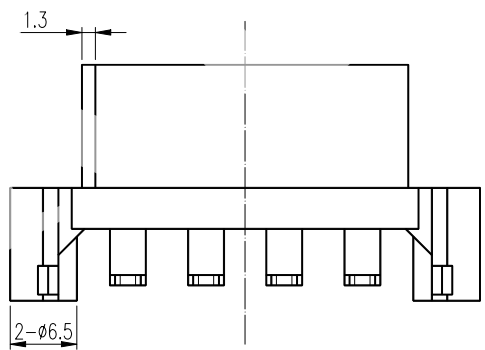
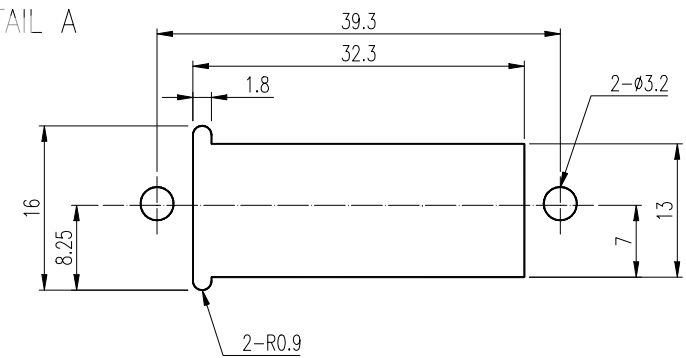
HOLE LAYOUT  
BOTTOM VIEW  
(TOLERANCE: ±0.1)



SECTION A-A



DETAIL A



REVISIONS				
LTR	DESCRIPTION	DATE	REVISED	APPROVED
△x1	變更五金端子尺寸,防止產品鎖 PCB 後傾斜.	2002.12.06	ROBIN	JOHNSON

3	SCREW WASHER M3	4		MB: Cu1 μm; Ni1.5 μm
2	TERMINAL(8)	4	C2680-1/2H t=1	MB: Cu1 μm; Ni1.5 μm
1	HOUSING	1	PBT+30%GF	BLACK UL-94V-0
LTR	PART NAME	QTY	MATERIAL	REMARK
DSND	TARRY	DATE	2001.05.17	<b>3RD ANGLE PROJECTION</b> NAME TERMINAL BLOCK CAT. No. KM12009 DWN. No. A-12009
DWN	ROBIN	DATE	2002.12.06	
CHKD	CAROL	DATE	2002.12.08	
APVD	JOHNSON	DATE	2002.12.12	
UNIT : mm				
<b>KUNMING ELECTRONICS CO., LTD.</b>				003

UNLESS OTHERWISE SPECIFIED, TOLERANCE ON DECIMAL: ±0.3 ANGLES: ±5°