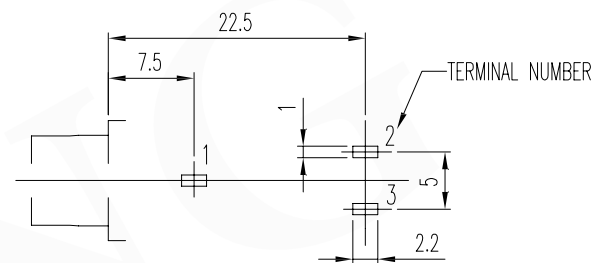
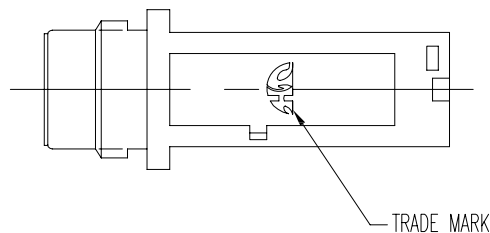
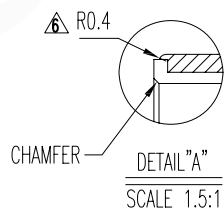
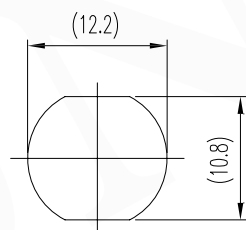
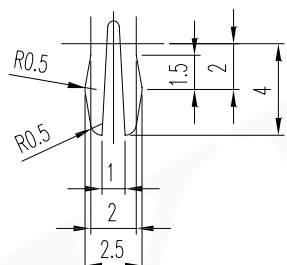
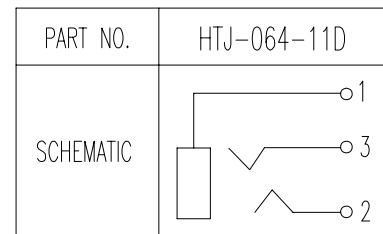
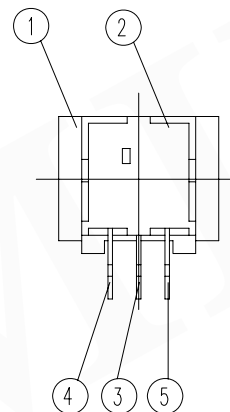
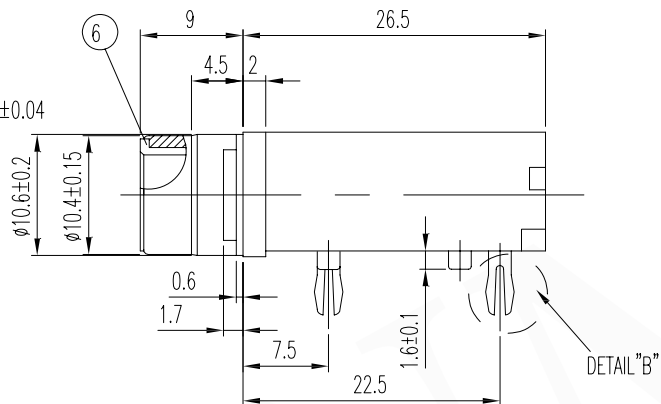
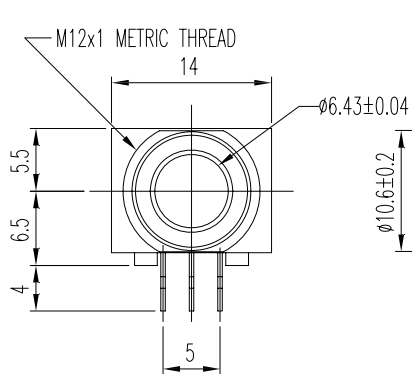


REVISIONS

LTR	DESCRIPTION	DATE	REV.	CHKD.	APVD.
△x1	更改外形尺寸,與實物相符.	2008.06.12	YANGZHIBIN	Qilin/ALLAN	Stanly



P.C.B Layout Dimension(Tolerance:±0.1)  
(Recommend min.Dimension)(bottom view)



DETAIL "B"

APPLIED TO TERMINAL  
NO. 1, 2, 3

6	BUSHING	1	BRONZE	Please refer color combination list
5	RING TERMINAL (3)	1	Copper Alloy , t=0.3	
4	TIP SPRING (2)	1	Copper Alloy , t=0.4	
3	EARTH SPRING (1)	1	Copper Alloy , t=0.3	
2	COVER	1	PBT+GF	
1	HOUSING	1	PBT+GF	

LTR	PART NO.	QTY	MATERIAL	REMARK
120~315	±0.5	DWN	JACKY	DATE 2008.05.29
30~120	±0.35	DSND	LD	DATE 2006.02.14
6~30	±0.22	CHKD	JOHNSON	DATE 2008.05.29
BELOW 6	±0.16	APVD	Dick	DATE 2008.05.29

DIMENSION	TOLERANCE
120~315	±0.5
30~120	±0.35
6~30	±0.22
BELOW 6	±0.16

KUNMING ELECTRONICS CO.,LTD.				DWN.NO.	A-06411D	1/1
						F