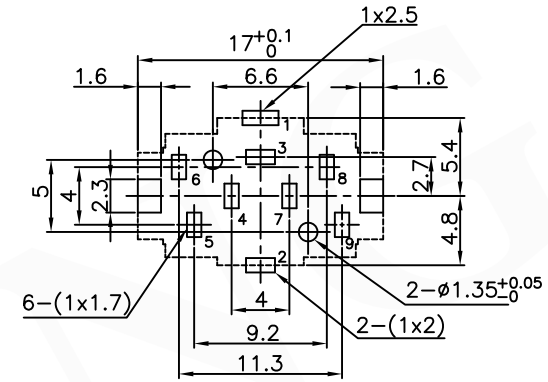
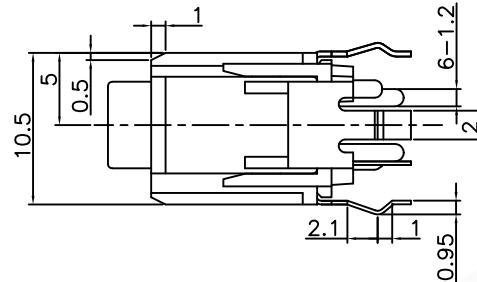
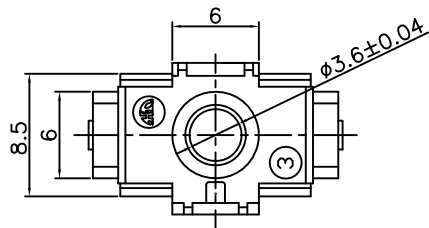
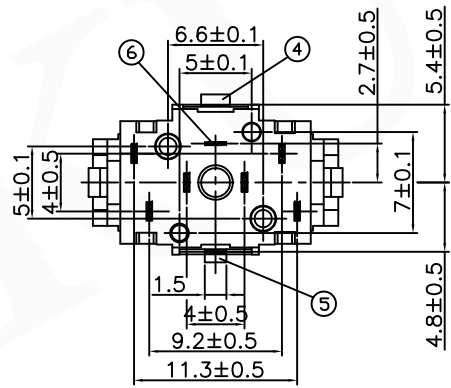
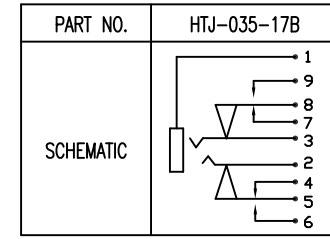
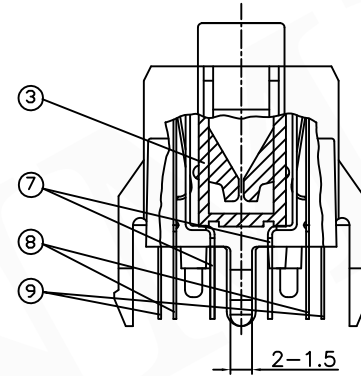
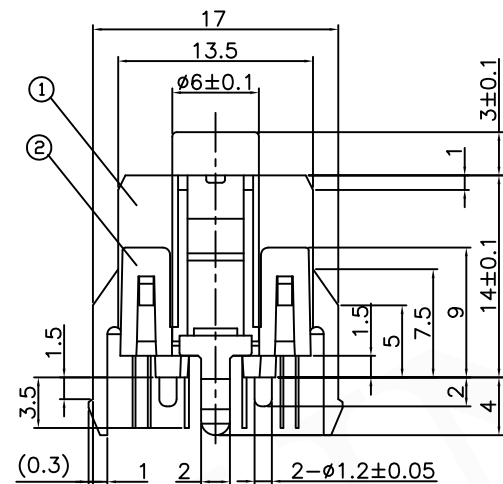


REVISIONS

LTR	DESCRIPTION	DATE	REV.	CHKD.	APVD.
△x1	依簽呈字號C803001進行修正	2009.11.24	ZOT	ALLAN	Dick Kuo



P.C.B Layout Dimension (Tolerance: ±0.1)
(Recommend min. Dimension) (top view)



△

QTY	PART NAME	MATERIAL	REMARK
2	CONTACT	Copper t=0.2	Please refer color combination list
2	TRANSFER TERMINAL(5,8)	Copper t=0.2	
2	BREAK TERMINAL(4,7)	Brass t=0.3	
1	RING SPRING(3)	Copper t=0.2	
1	TIP SPRING(2)	Copper t=0.35	
1	EARTH SPRING(1)	Copper t=0.25	
1	SEPARATOR	POM (UL 94HB)	
1	COVER	POM (UL 94HB)	
1	HOUSING	High Temperature Thermoplastic (UL 94V-0)	

LTR	PART NAME	QTY	MATERIAL	REMARK	
120~315	±0.5	DWN	CXL	DATE 2005.08.17	
30~120	±0.35	DSND	LD	DATE 2005.08.15	
6~30	±0.22	CHKD	JOHNSON	DATE 2005.08.17	
BELOW 6	±0.16	APVD	ERIC	DATE 2005.08.17	
DIMENSION	TOLERANCE	KUNMING ELECTRONICS CO.,LTD.		DWN.NO. A-03517BB	
				SCALE N/A	NAME MINIATURE JACK
				3RD ANGLE PROJECTION	CAT. NO. HTJ-035-17BB_
				UNIT: mm	1/1
					B

UNLESS OTHERWISE SPECIFIED, TOLERANCE ON DECIMAL: ±0.3 ANGLES: ±0.5°