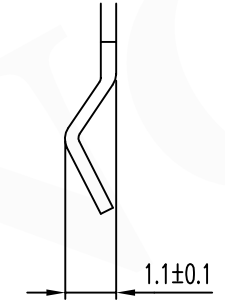
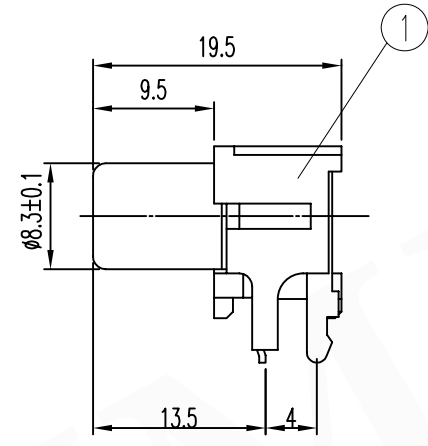
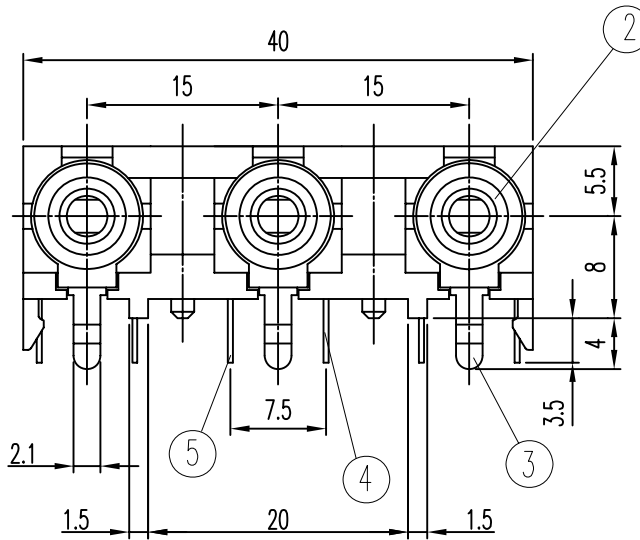
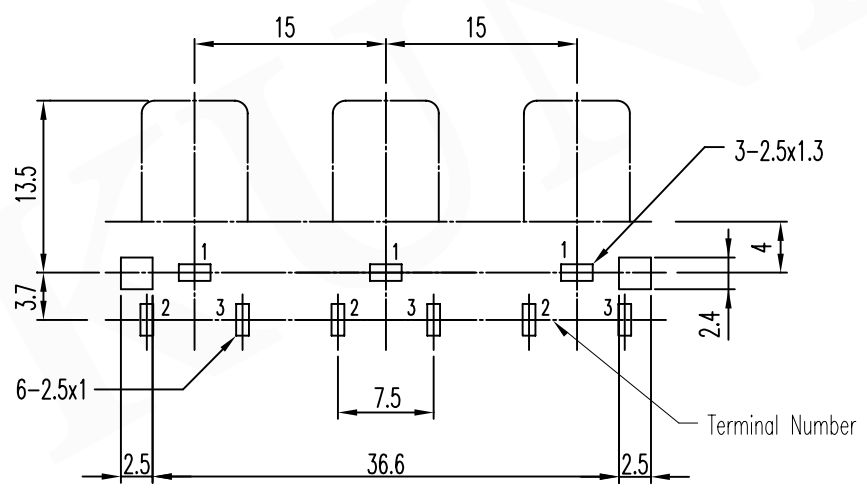


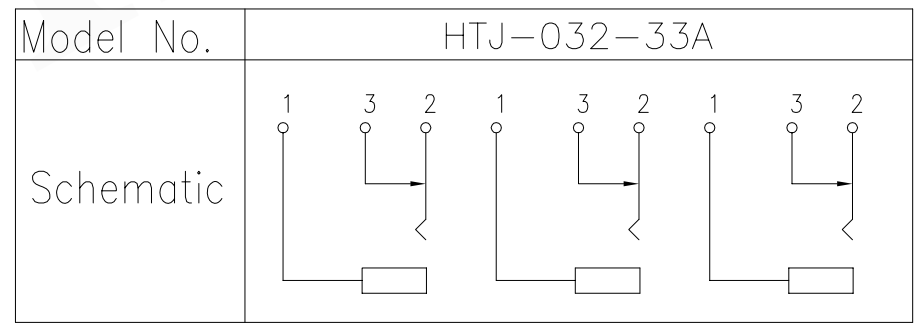
REVISIONS				
LTR	DESCRIPTION	DATE	REVISED	APPROVED



Forming dimension of outer contact.



T:1.6 P.C.B Layout Dimension (Tolerance: ±0.1)  
(Recommend min.Dimension) (Bottom View)



5	TIP SPRING	3	C5212	t=0.3	Please refer color combination list.
4	SHUNT SPRING	3	C2680	t=0.4	
3	OUTER CONTACT	3	C2680	t=0.4	
2	WASHER	3	POM		
1	HOUSING	1	PBT+GF		
LTR	PART NAME	QTY	MATERIAL(THICK,COLOR)		REMARK
DWN	QUEXL	DATE	2005.12.01	SCALE /	NAME PIN JACK
DSND	L.D	DATE	2005.12.02	3RD ANGLE PROJECTION	
CHKD	YT Chiang	DATE	2005.12.09	UNIT: mm	CAT. NO. HTJ-032-33A_ _P
APVD	ERIC	DATE	2005.12.09		DWN.NO. A-03233AP
<b>KUNMING ELECTRONICS CO.,LTD.</b>					